

# LF 100

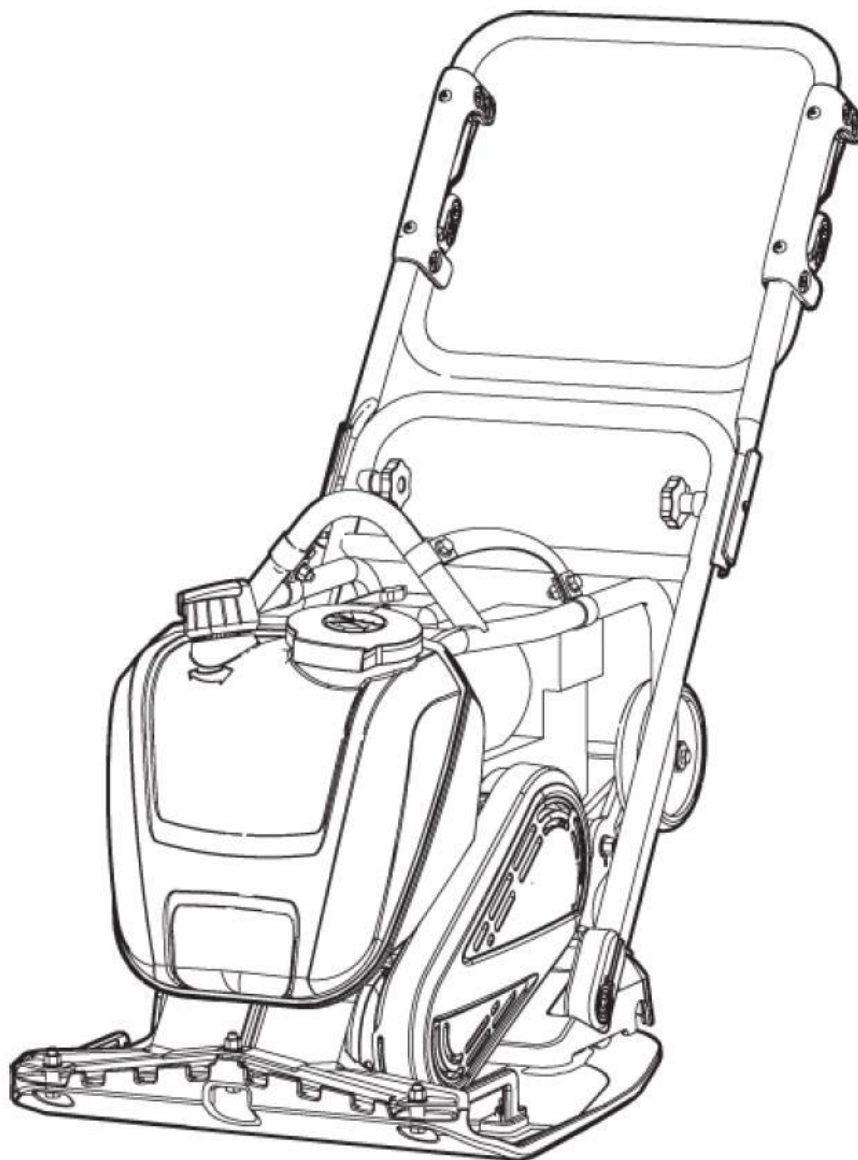
---

## Spare parts list

### Forward plate

LF 100

Engine: Honda GX 160, Hatz 1B20



# General information

This spare parts list applies to the following:

Part number	Description
967855101	COMPACTORS LF 100 L Honda
967855103	COMPACTORS LF 100 L Hatz
967896801	COMPACTORS LF 100 LAT Hatz
967855102	COMPACTORS LF 100 LAT Honda
967896501	COMPACTORS LF 100 LA Honda

Use only authorized parts. Any damage or malfunction caused by the use of unauthorized parts is not covered by Warranty or Product Liability. Any unauthorized use or copying of the contents or any part thereof is prohibited. This applies in particular to trademarks, model denominations, part numbers, and drawings.

## Instructions for use

This spare parts list contains no safety regulations and is merely intended to assist in the ordering of spare parts.

For information about operating, servicing, or repairing, the relevant Safety and operating instructions must be consulted at all costs.

Please observe the safety instructions listed in the relevant Safety and operating instructions!

Kits and consumables	1
----------------------	---

**Preventative Maintenance Kits**

Start Up Kit, Honda	3
12 months / 200 hours service kit	5
Start Up Kit, Hatz	7
12 months / 500 hours service kit	9
Six months / Every 250 hours kit	11

**Service, repair and wear part kits**

Shock absorber repair kit, Honda	13
Shock absorber repair kit, Hatz	15
Eccentric element repair kit	17
Block paving plate kit 500 mm (19.7 in.)	19
Sprinkler system kit	21
Fork lifting device kit	23
Transport device kit	25
Vibration damped handle kit	27

**Refurbishment kits**

594214401 CosmeticKit LF 100 Hatz LAT	29
595133301 CosmeticKit LF 100 Hatz	31
595133701 GoldKit LF 100 Hatz LAT	33
595388401 GoldKit LF 100 Hatz	35
594215901 CosmeticKit LF 100 Honda LAT	37
595388301 GoldKit LF 100 Honda LAT	39
595388201 GoldKit LF 100 Honda	41
595386401 CosmeticKit LF 100 Honda	43
594219301 SilverKit LF 100 Hatz	45
594764801 SilverKit LF 100 Honda	47
594219301 SilverKit LF 100 Hatz LAT	49
594764801 SilverKit_LF_100_Honda_LAT	51

**Spare parts list**

Engine plate installation, Honda	53
Transmission cover, Hatz	55
Ground plate installation	57
Block paving plate 500 mm (19.7 in.)	59
Lifting handle	61
Transport device, new version	63
Transport device, old version	65
Sprinkler system	67
Fork lifting device	69
Engine installation, Honda	71
Engine, Honda GX 160 UT2 SXS4 OH	73
Engine installation, Hatz	76
Engine, Hatz 1B20 manual start	79
Fuel tank, Hatz 1B20	85
Transmission cover, Honda	88
Engine plate installation, Hatz	91
Standard handle for Honda and Hatz, old version	93
Standard handle for Honda, new version	95
Vibration damped handle	97
Labels	99

## Kits and consumables

<b>Service offers resume LF100</b>	<b>Item</b>	<b>Number</b>	<b>Description</b>
<b>Lubricants</b>	1		Can Paroil E Mission Green 5 Liter/1.32 Gallon
	2		Can Paroil E Mission Green 20 Liter/5.3 Gallon
	3		Can Paroil E Mission Green 210 Liter/55.5 Gallon
<b>Preventive maintenance</b>	4	594194101	One year service kit
	5	594194201	One year service kit
<b>Rebuild&amp;Overhaul kits</b>	6	594205001	Vibration damped handle kit
	7	594204901	Transport device kit
<b>Wear&amp;Repair Kits</b>	8	594194401	Eccentric element repair kit
	9	594194601	Shock absorber repair kit
	10	594194701	Shock absorber repair kit

Item	Part No.	Name	Qty	L
1	-	Drum Paroil Mission green 210 Liter/55.5 Gallon	1	
2	-	Can Paroil Mission green 20 Liter/5.3 Gallon	1	
3	-	Drum Paroil Mission green 210 Liter/55.5 Gallon	1	
4	594194101	One year service kit	1	
5	594194201	One year service kit	1	
6	594205001	Vibration damped handle kit	1	
7	594204901	Transport device kit	1	
8	594194401	Eccentric element repair kit	1	
9	594194601	Shock absorber repair kit	1	
10	594194701	Shock absorber repair kit	1	

**Preventative Maintenance Kits** Start Up Kit, Honda

NO EXPLODED VIEW  
AVAILABLE  
FOR THIS BOM

Item	Part No.	Name	Qty	L
1	595385301	Start Up Kit		
2	594216201	12 months / 200 hours service kit	1	
3	594302101	Air Filter, complete	1	
4	594488801	V-belt	1	
5	594302101	Air Filter, complete	1	

**Preventative Maintenance Kits** 12 months / 200 hours service kit

NO EXPLODED VIEW  
AVAILABLE  
FOR THIS BOM



Item	Part No.	Name	Qty	L
1	594216201	12 months / 200 hours service kit	1	
2	594302101	Air Filter, complete	1	
3	594488801	V-belt	1	

**Preventative Maintenance Kits** Start Up Kit, Hatz

NO EXPLODED VIEW  
AVAILABLE  
FOR THIS BOM

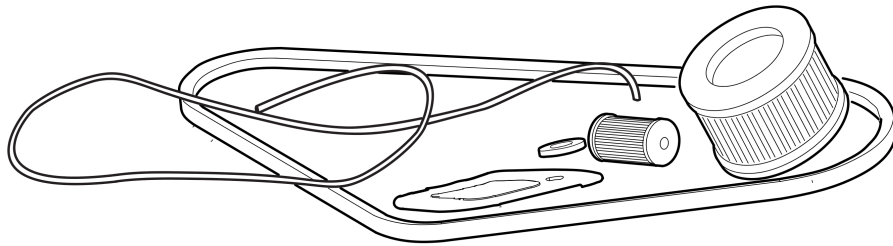
Item	Part No.	Name	Qty	L
1	594218201	Start Up Kit	1	
2	594216701	12 months / 500 hours service kit	1	
3	594488901	V-belt	1	
4	595377401	Fuel filter	1	
5	595377301	Air Filter	1	
6	594214601	Six months / Every 250 hours kit	1	
7	595377401	Fuel filter	1	
8	595377301	Air Filter	1	

**Preventative Maintenance Kits** 12 months / 500 hours service kit

NO EXPLODED VIEW  
AVAILABLE  
FOR THIS BOM

Item	Part No.	Name	Qty	L
1	594216701	12 months / 500 hours service kit	1	
2	594488901	V-belt	1	
3	595377401	Fuel filter	1	
4	595377301	Air Filter	1	

**Preventative Maintenance Kits** Six months / Every 250 hours kit



Item	Part No.	Name	Qty	L
1	594214601	Six months / Every 250 hours kit	1	
2	595377401	Fuel filter	1	
3	595377301	Air Filter	1	

**Service, repair and wear part kits** Shock absorber repair kit, Honda

NO EXPLODED VIEW  
AVAILABLE  
FOR THIS BOM



Item	Part No.	Name	Qty	L
1	594194601	Shock absorber repair kit	1	
-	594341901	Shock absorber	4	A
-	594526401	Square taper washer	4	B
Not Shown	-	Nut, M10 A3K, See section "Ground plate installation".	8	
-	594480401	Shock absorber	2	C
Not Shown	-	Screw, M12 x 50 mm 8.8 A3K , See section "Handle, standard".	2	

Comments for Page: Shock absorber repair kit, Honda

(L)OCAL REMARKS

A | For ground plate

See section "Ground plate installation".

B | See section "Ground plate installation".

C | For handle

See section "Handle, standard".

**Service, repair and wear part kits** Shock absorber repair kit, Hatz

NO EXPLODED VIEW  
AVAILABLE  
FOR THIS BOM

Item	Part No.	Name	Qty	L
1	594194701	Shock absorber repair kit	1	
-	594341901	Shock absorber	4	A
Not Shown	-	Nut, M10 A3K, See section "Ground plate installation".	8	
-	594480401	Shock absorber	2	B
Not Shown	-	Screw, M12 x 50 mm 8.8 A3K , See section "Handle, standard".	2	

Comments for Page: Shock absorber repair kit, Hatz

(L)OCAL REMARKS

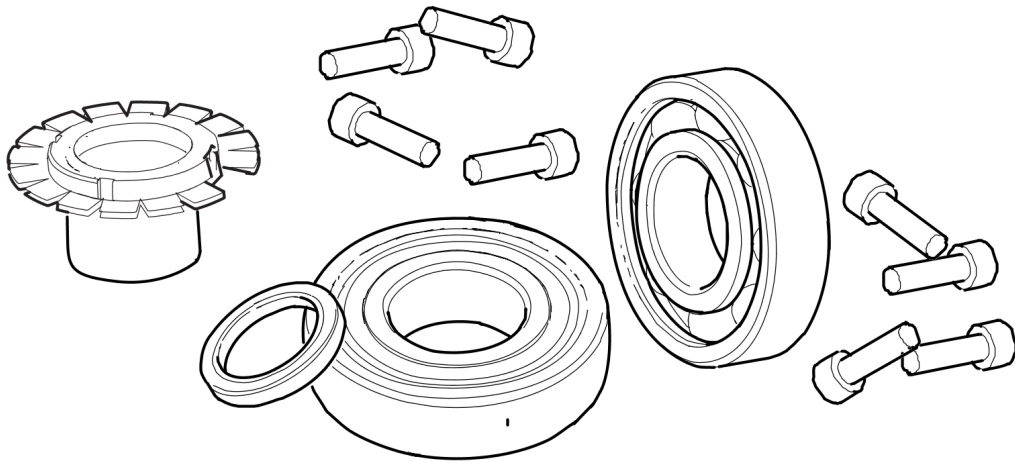
A | For ground plate

See section "Ground plate installation".

B | For handle

See section "Handle, standard".

**Service, repair and wear part kits** Eccentric element repair kit



Item	Part No.	Name	Qty	L
1	594197201	Eccentric element repair kit	1	
2	594156201	Clamping sleeve, complete	1	
3	595044601	Sealing ring	1	
4	594156101	Ball bearing	2	
5	595057801	Screw, M6x20 mm 8.8 A2K	8	

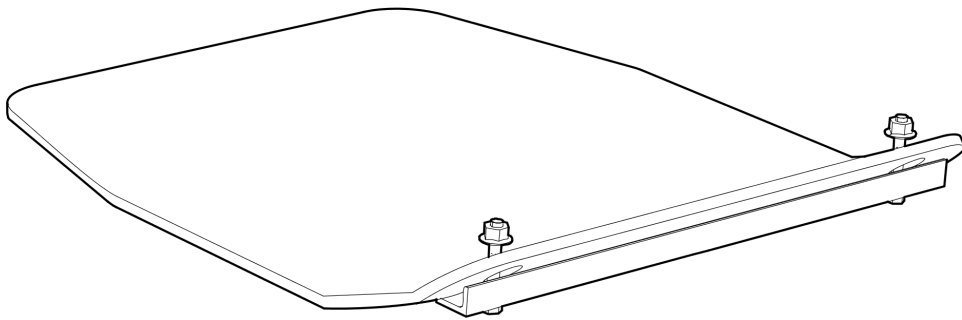
Comments for Page: Eccentric element repair kit

(L)OCAL REMARKS

A | See section "Ground plate installation".

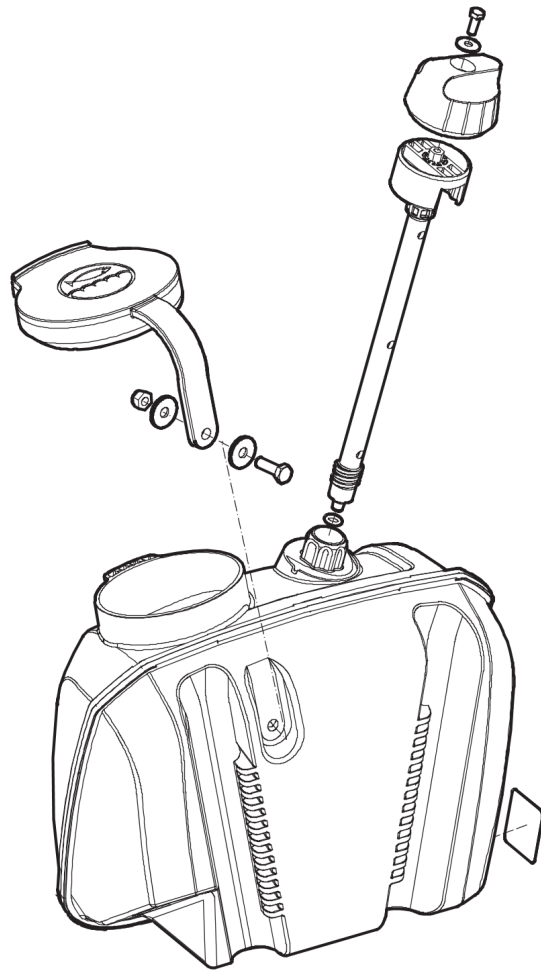
B | See section "Ground plate installation".

**Service, repair and wear part kits** Block paving plate kit 500 mm (19.7 in.)



Item	Part No.	Name	Qty	L
1	594868201	Block paving plate kit	1	
2	594484801	Polyurethane plate, 500 mm, 19.7 in.	1	
3	594484901	Bracket	1	
4	595065501	Nut, M8 x 1.25 mm A2K	2	
5	595066601	Washer, 8.4x 6x1.5 mm 300HV	2	
6	594522501	Screw, M8 x 75 mm 8.8 A2K	2	

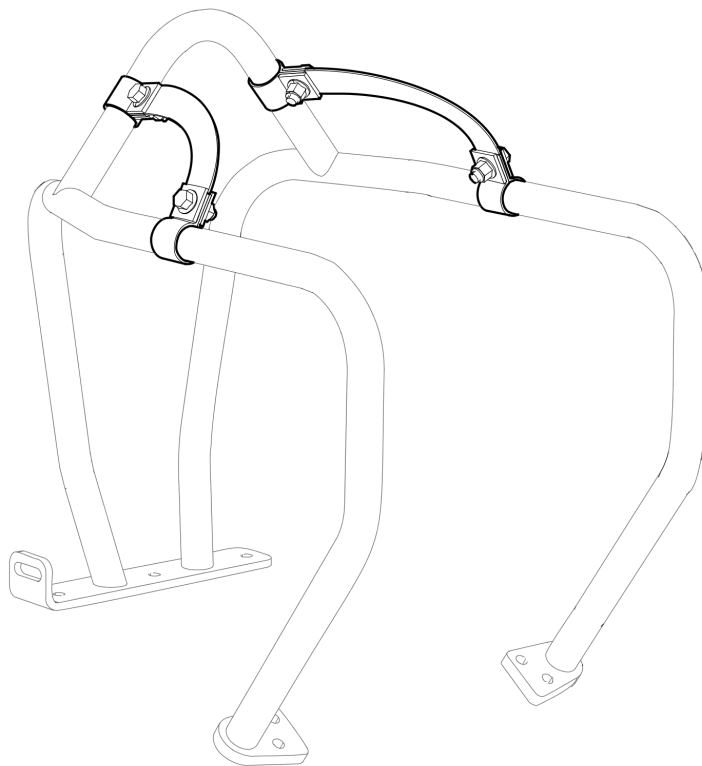
**Service, repair and wear part kits** Sprinkler system kit





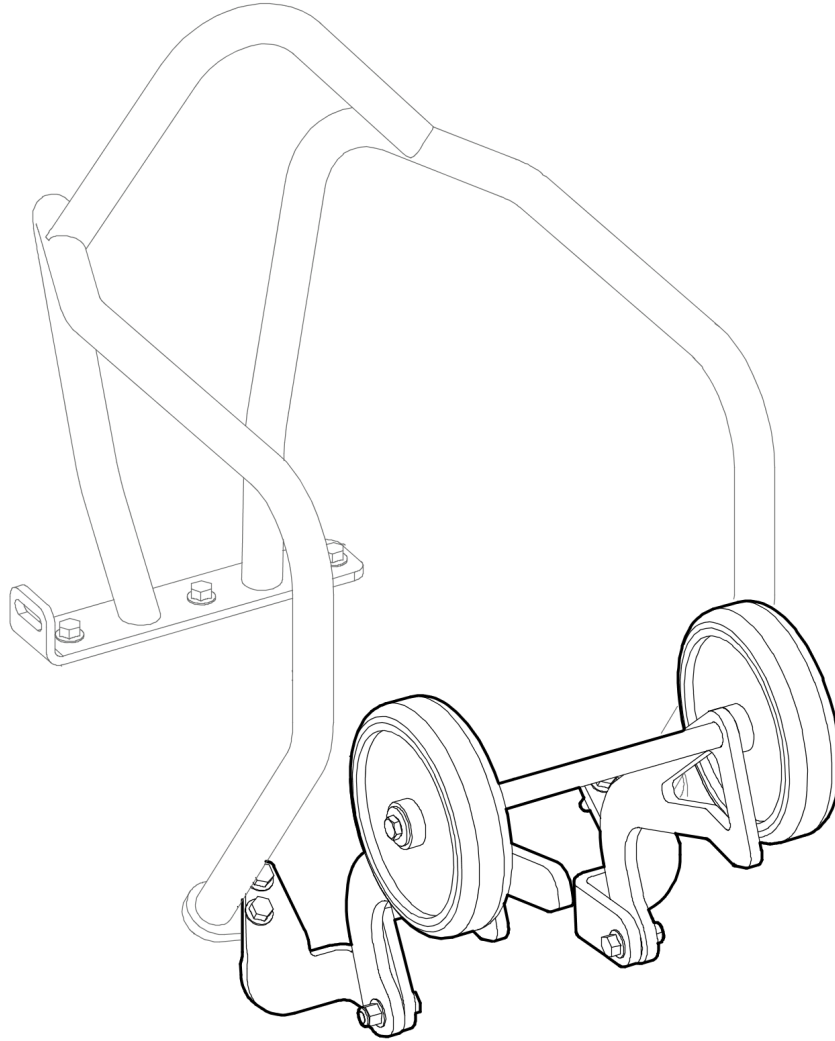
Item	Part No.	Name	Qty	L
1	595120801	Sprinkler system kit	1	
Not Shown	-	Water Tank	1	
Not Shown	-	Rod	1	
Not Shown	-	Handle	1	
Not Shown	-	Washer, 8.4 x 25 x 2 mm, 0.33 x 0.98 x 0.08 in.	2	
Not Shown	-	Screw, M8 x 25 mm 8.8 A2K	1	
Not Shown	-	Nut, M8 -8 DIN985	1	
Not Shown	-	Washer, 6.4 x 18 x 1.6 mm, 0.25 x 0.71 x 0.06 in.	1	
Not Shown	-	Screw, M6 x 16 mm 8.8 A2K	1	
Not Shown	-	Cap	1	
Not Shown	-	Instruction label	1	
Not Shown	-	O-ring, 8 x 3 mm, 0.31 x 0.12 in. (70 shore)	1	
Not Shown	-	Instruction label	1	

**Service, repair and wear part kits** Fork lifting device kit



Item	Part No.	Name	Qty	L
1	595503101	Fork lifting device kit	1	
2	594489901	Strap	1	
3	595185701	Screw, M8x25mm 8.8 A2K	4	
4	595182701	Washer, 9 x 25 x 3 mm, 0.35 x 0.98 x 0.12 in.	8	
5	595064601	Lock nut, M8x1.25 mm A2K	8	

**Service, repair and wear part kits** Transport device kit



Item	Part No.	Name	Qty	L
1	594204901	Transport device kit	1	
Not Shown	-	Wheel bracket	1	A
Not Shown	-	Wheel bracket	1	B
Not Shown	-	Washer, 8.4 x 25 x 2 mm, 0.33 x 0.98 x 0.08 in.	4	
Not Shown	-	Wheel fork	1	
Not Shown	-	Screw, M8 x 30 mm 8.8 A2K	2	
Not Shown	-	Nut, M8 A2K	2	
Not Shown	-	Wheel	2	
Not Shown	-	Screw, M8 x 12 mm 8.8 A2K	2	
Not Shown	-	Shock absorber	1	
Not Shown	-	Hook	1	
Not Shown	-	Nut, M10	1	
Not Shown	-	Washer, 10.5 x 22 x 2 mm, 0.41 x 0.87 x 0.08 in.	1	
Not Shown	-	Screw, M10 x 20 mm 8.8 FZB	1	
Not Shown	-	Screw, M8 x 25 mm 8.8 A2K	4	
Not Shown	-	Screw, M8 x 35 mm 8.8 A2K	4	

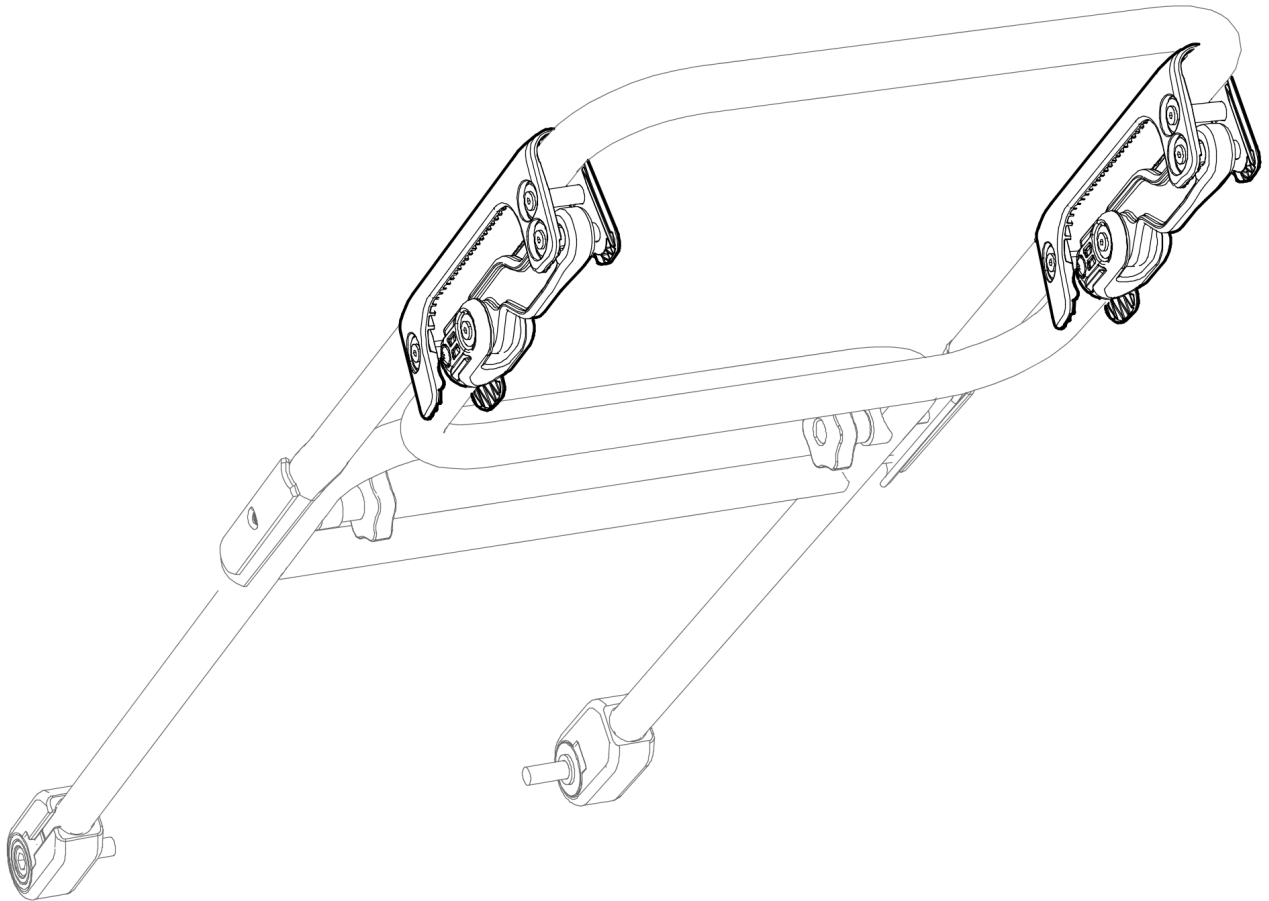
Comments for Page: Transport device kit

(L)OCAL REMARKS

A | Left

B | Right

**Service, repair and wear part kits** Vibration damped handle kit



Item	Part No.	Name	Qty	L
1	594205001	Vibration damped handle kit	1	
2	594482201	Bracket	2	
3	594524701	Jointing nut, M6 x 30 mm 8.8	8	
4	594526701	Screw, M6 x 12 mm 10.9 A2T	16	
5	594480501	Shock absorber	2	
6	594482101	Bracket	2	
7	594166301	Handle	1	
8	594525001	Screw, M5 x 10 mm A2K	8	
9	594526601	Washer, 6.4x18x1.6 mm A2T	16	

**Refurbishment kits** 594214401 CosmeticKit LF 100 Hatz LAT

1	<b>594214401</b>	<b>Cosmetic Kit</b>	
2	<b>Covers</b>	Belt guard	1
3		Bolt	2
4		Washer	2
5		Screw	2
6		Lock Spring	2
7		Bolt	1
8		Nut	1
9		Bolt	2
10		Sprinkler Water System	1
11		<b>Handle</b>	Handle Kit
12	<b>Labeling</b>	Product Lable Set	<b>1</b>



Item	Part No.	Name	Qty	L
1	594214401	200 Hours Service Kit / 12 Months Service Kit	1	
2	-	Belt guard	1	
3	-	Bolt	2	
4	-	Flat gasket	2	
5	-	Screw	2	
6	-	Lock Spring	2	
7	-	Bolt	1	
8	-	Nut	1	
9	-	Bolt	2	
10	-	Sprinkler Water System	1	
11	-	Handle Kit	1	
12	-	Product Label Set	1	

**Refurbishment kits** 595133301 CosmeticKit LF 100 Hatz

1	595133301	Cosmetic Kit	
2	Covers	Cover	1
3		Belt guard	1
4		Bolt	2
5		Washer	2
6		Screw	2
7		Lock Spring	2
8		Bolt	1
9		Nut	1
10		Bolt	2
11		Handle	Handle Kit
12	Labeling	Product Label Set	1

Item	Part No.	Name	Qty	L
1	595133301	Cosmetic Kit	1	
2	-	Cover	1	
3	-	Belt guard	1	
4	-	Bolt	2	
5	-	Flat gasket	2	
6	-	Screw	2	
7	-	Lock Spring	2	
8	-	Bolt	1	
9	-	Nut	1	
10	-	Bolt	2	
11	-	Handle Kit	1	
12	-	Product Label Set	1	

## Refurbishment kits 595133701 GoldKit LF 100 Hatz LAT

1	594219101	Gold Kit LF 100 Hatz LAT	
<b>Ground Plate and Eccentric System</b>			
2	Eccentric System	Eccentric Element Repair Kit	1
3		V-Belt Pulley	1
4		Centrifugal Clutch	1
5		Screw	
6		Lock Washer	6
7		Shock absorber repair kit	1
<b>Cosmetic Kit</b>			
8	Covers	Belt guard	1
9		Bolt	2
10		Washer	2
11		Screw	2
12		Lock Spring	2
13		Bolt	1
14		Nut	1
15		Bolt	2
16		Sprinkler Water System	1
17		Handle	Handle Kit
18	Labeling	Product Label Set	1
<b>Engine</b>			
19	Service Kit	Yearly Service Kit	1

Refer to the Parts Online web page for most up-to-date information. The printed information might be outdated.

Item	Part No.	Name	Qty	L
1	594219101	Silver Kit LF 75 LAT	1	
-	--	Ground Plate and Eccentric System	1	
2	-	Eccentric Element Repair Kit	1	
3	-	V-Belt Pulley	1	
4	-	Centrifugal Clutch	1	
5	-	Screw	6	
6	-	Lock Washer	6	
7	-	Shock absorber repair kit	1	
-	--	Cosmetic Kit	1	
8	-	Belt guard	1	
9	-	Bolt	2	
10	-	Flat gasket	2	
11	-	Screw	2	
12	-	Lock Spring	2	
13	-	Bolt	1	
14	-	Nut	1	
15	-	Bolt	2	
16	-	Sprinkler Water System	1	
17	-	Handle Kit	1	
18	-	Product Label Set	1	
-	--	Engine and Transmission	1	
19	-	Yearly Service Kit	1	

## Refurbishment kits 595388401 GoldKit LF 100 Hatz

1	595388401	<b>Gold Kit LF 100 Hatz</b>	
<b>Ground Plate and Eccentric System</b>			
2	Eccentric System	Eccentric Element Repair Kit	1
3		V-Belt Pulley	1
4		Screw	6
5		Centrifugal Clutch	1
6		Lock Washer	6
7		Shock absorber repair kit	1
<b>Cosmetic Kit</b>			
8	Covers	Cover	1
9		Belt guard	1
10		Bolt	2
11		Washer	2
12		Screw	2
13		Lock Spring	2
14		Bolt	1
15		Nut	1
16		Bolt	2
17		Handle	Handle Kit
18	Labeling	Product Label Set	1
<b>Engine</b>			
19	Service Kit	Yearly Service Kit	1

Refer to the Parts Online web page for most up-to-date information. The printed information might be outdated.

Item	Part No.	Name	Qty	L
1	595388401	Gold Kit LF 100 Hatz	1	
-	--	Ground Plate and Eccentric System	1	
2	-	Eccentric Element Repair Kit	1	
3	-	V-Belt Pulley	1	
4	-	Screw	6	
5	-	Centrifugal Clutch	1	
6	-	Lock Washer	6	
7	-	Shock absorber repair kit	1	
-	--	Cosmetic Kit	1	
8	-	Cover	1	
9	-	Belt guard	1	
10	-	Bolt	2	
11	-	Flat gasket	2	
12	-	Screw	2	
13	-	Lock Spring	2	
14	-	Bolt	1	
15	-	Nut	1	
16	-	Bolt	2	
17	-	Handle Kit	1	
18	-	Product Label Set	1	
-	--	Engine and Transmission	1	
19	-	Yearly Service Kit	1	

**Refurbishment kits** 594215901 CosmeticKit LF 100 Honda LAT

1	<b>594215901</b>	<b>Cosmetic Kit</b>	
2	<b>Covers</b>	Belt guard	1
3		Screw	3
4		Nut	1
5		Screw	3
6		Screw	1
7		Lock spring	1
8		Washer	3
9		Screw	2
10		Sprinkler Water System	1
11		<b>Handle</b>	Handle Kit
12	<b>Labeling</b>	Product Label Set	1



Item	Part No.	Name	Qty	L
1	594215901	200 Hours Service Kit / 12 Months service Kit	1	
2	-	Belt guard, outer	1	
3	-	Screw	3	
4	-	Nut	1	
5	-	Screw	3	
6	-	Screw	1	
7	-	Lock Spring	1	
8	-	Flat gasket	3	
9	-	Screw	2	
10	-	Sprinkler Water System	1	
11	-	Handle Kit	1	
12	-	Product Label Set	1	

**Refurbishment kits** 595388301 GoldKit LF 100 Honda LAT

<b>1</b>	<b>595388301</b>	<b>Gold Kit LF 100 Honda LAT</b>	
<b>Ground Plate and Eccentric System</b>			
2	<b>Eccentric System</b>	Eccentric Element Repair Kit	1
3		V-Belt Pulley	1
4		Screw	6
5		Lock Washer	6
6		Shock absorber repair kit	1
<b>Cosmetic Kit</b>			
7	<b>Covers</b>	Belt guard, outer	1
8		Screw	3
9		Nut	1
10		Screw	3
11		Screw	1
12		Lock Spring	1
13		Washer	3
14		Screw	2
15		Sprinkler Water System	1
16		Handle	Handle Kit
17	Labeling	Product Label Set	1
<b>Engine</b>			
18	Service Kit	Yearly Service Kit	1

Refer to the Parts Online web page for most up-to-date information. The printed information might be outdated.

Item	Part No.	Name	Qty	L
1	595388301	Gold Kit LF 100 Honda LAT	1	
-	--	Ground Plate and Eccentric System	1	
2	-	Eccentric Element Repair Kit	1	
3	-	V-Belt Pulley	1	
4	-	Screw	6	
5	-	Lock Washer	6	
6	-	Shock absorber repair kit	1	
-	--	Cosmetic Kit	1	
7	-	Belt guard, outer	1	
8	-	Screw	3	
9	-	Nut	1	
10	-	Screw	3	
11	-	Screw	1	
12	-	Lock Spring	1	
13	-	Flat gasket	3	
14	-	Screw	2	
15	-	Sprinkler Water System	1	
16	-	Handle Kit	1	
17	-	Product Label Set	1	
-	--	Engine and Transmission	1	
18	-	Yearly Service Kit	1	

## Refurbishment kits 595388201 GoldKit LF 100 Honda

<b>1</b>	<b>595388201</b>	<b>Gold Kit LF 100 Honda</b>	
<b>Ground Plate and Eccentric System</b>			
2	Eccentric System	Eccentric Element Repair Kit	1
3		V-Belt Pulley	1
4		Screw	6
5		Lock Washer	6
6		Shock absorber repair kit	1
<b>Cosmetic Kit</b>			
7	Covers	Cover	1
8		Belt guard, outer	1
9		Screw	3
10		Nut	1
11		Screw	3
12		Screw	1
13		Lock Spring	1
14		Washer	3
15		Screw	2
16		Handle	Handle Kit
17	Labeling	Product Label Set	1
<b>Engine</b>			
18	Service Kit	Yearly Service Kit	1

Refer to the Parts Online web page for most up-to-date information. The printed information might be outdated.

Item	Part No.	Name	Qty	L
1	595388201	Gold Kit LF 100 Honda	1	
-	--	Ground Plate and Eccentric System	1	
2	-	Eccentric Element Repair Kit	1	
3	-	V-Belt Pulley	1	
4	-	Screw	6	
5	-	Lock Washer	6	
6	-	Shock absorber repair kit	1	
-	--	Cosmetic Kit	1	
7	-	Cover	1	
8	-	Belt guard, outer	1	
9	-	Screw	3	
10	-	Nut	1	
11	-	Screw	3	
12	-	Screw	1	
13	-	Lock Spring	1	
14	-	Flat gasket	3	
15	-	Screw	2	
16	-	Handle Kit	1	
17	-	Product Label Set	1	
-	--	Engine and Transmission	1	
18	-	Yearly Service Kit	1	

**Refurbishment kits** 595386401 CosmeticKit LF 100 Honda

1	595386401	Cosmetic Kit	
2	Covers	Cover	1
3		Belt guard, outer	1
4		Screw	3
5		Nut	1
6		Screw	3
7		Screw	1
8		Lock Spring	1
9		Washer	3
10		Screw	2
11		Handle	Handle Kit
12	Labeling	Product Label Set	1

Item	Part No.	Name	Qty	L
1	595386401	Cosmetic Kit	1	
2	-	Cover	1	
3	-	Belt guard, outer	1	
4	-	Screw	3	
5	-	Nut	1	
6	-	Screw	3	
7	-	Screw	1	
8	-	Lock Spring	1	
9	-	Flat gasket	3	
10	-	Screw	2	
11	-	Handle Kit	1	
12	-	Product Label Set	1	

**Refurbishment kits** 594219301 SilverKit LF 100 Hatz

1	594219301	Silver Kit LF 100 Hatz	
<b>Ground Plate and Eccentric System</b>			
2	<b>Eccentric system</b>	Eccentric Element Repair Kit	1
3		v-Belt Pulley	1
4		Screw	6
5		Centrifugal Clutch	1
6		Lock Washer	6
7		Shock absorber repair kit	1
<b>Engine</b>			
8	Service Kit	Yearly Service Kit	1



Item	Part No.	Name	Qty	L
1	594219301	Silver Kit LF 100 Hatz	1	
-	--	Ground Plate and Eccentric System	1	
2	-	Eccentric Element Repair Kit	1	
3	-	V-Belt Pulley	1	
4	-	Screw	6	
5	-	Centrifugal Clutch	1	
6	-	Lock Washer	6	
7	-	Shock absorber repair kit	1	
-	--	Engine and Transmission	1	
8	-	Yearly Service Kit	1	

**Refurbishment kits** 594764801 SilverKit LF 100 Honda

<b>1</b>	<b>594764801</b>	<b>Silver Kit LF 100 Hatz</b>	
		<b>Ground Plate and Eccentric System</b>	
<b>2</b>	<b>Eccentric system</b>	Eccentric Element Repair Kit	<b>1</b>
<b>3</b>		v-Belt Pulley	<b>1</b>
<b>4</b>		Screw	<b>6</b>
<b>5</b>		Lock Washer	<b>6</b>
<b>6</b>		Shock absorber repair kit	<b>1</b>
			<b>Engine</b>
<b>7</b>	<b>Service Kit</b>	Yearly Service Kit	<b>1</b>

Item	Part No.	Name	Qty	L
1	594764801	Silver Kit LF 100 Honda	1	
-	--	Ground Plate and Eccentric System	1	
2	-	Eccentric Element Repair Kit	1	
3	-	V-Belt Pulley	1	
4	-	Screw	6	
5	-	Lock Washer	6	
6	-	Shock absorber repair kit	1	
-	--	Engine and Transmission	1	
7	-	Yearly Service Kit	1	

**Refurbishment kits** 594219301 SilverKit LF 100 Hatz LAT

<b>1</b>	<b>594219301</b>	<b>Silver Kit LF 100 Hatz</b>	
	<b>Ground Plate and Eccentric System</b>		
<b>2</b>	<b>Eccentric system</b>	Eccentric Element Repair Kit	<b>1</b>
<b>3</b>		v-Belt Pulley	<b>1</b>
<b>4</b>		Centrifugal Clutch	<b>1</b>
<b>5</b>		Screw	<b>6</b>
<b>6</b>		Lock Washer	<b>6</b>
<b>7</b>		Shock absorber repair kit	<b>1</b>
	<b>Engine</b>		
<b>8</b>	<b>Service Kit</b>	Yearly Service Kit	<b>1</b>

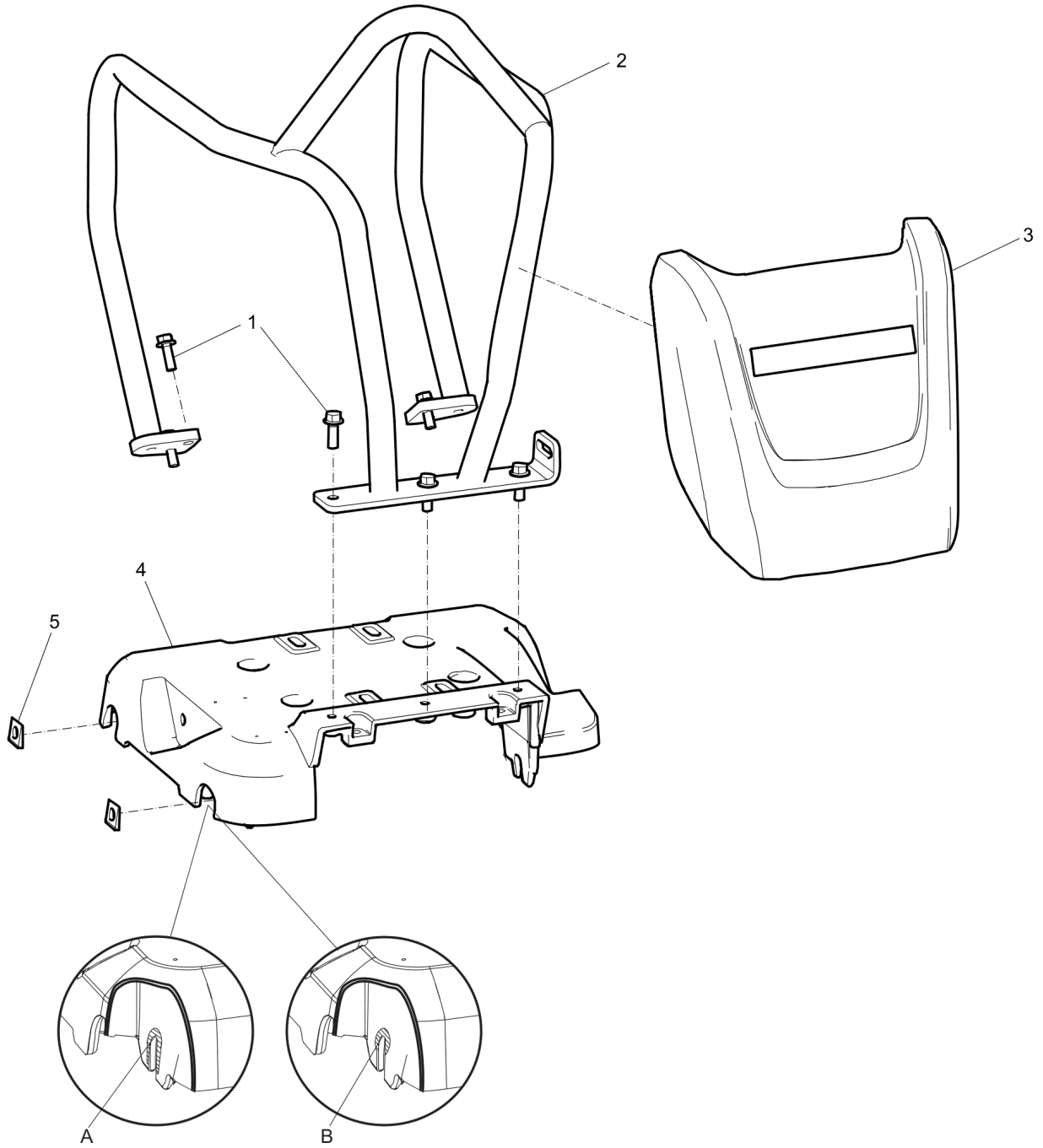
Item	Part No.	Name	Qty	L
1	594219301	Silver Kit LF 100 Hatz	1	
-	--	Ground Plate and Eccentric System	1	
2	-	Eccentric Element Repair Kit	1	
3	-	V-Belt Pulley	1	
4	-	Centrifugal Clutch	1	
5	-	Screw	6	
6	-	Lock Washer	6	
7	-	Shock absorber repair kit	1	
-	--	Engine and Transmission	1	
8	-	Yearly Service Kit	1	

**Refurbishment kits** 594764801 SilverKit\_LF\_100\_Honda\_LAT

1	<b>594764801</b>	<b>Silver Kit LF 100 Honda LAT</b>	
	<b>Ground Plate and Eccentric System</b>		
2	<b>Eccentric system</b>	Eccentric Element Repair Kit	<b>1</b>
3		v-Belt Pulley	<b>1</b>
4		Screw	<b>6</b>
5		Lock Washer	<b>6</b>
6		Shock absorber repair kit	<b>1</b>
		<b>Engine</b>	
7	<b>Service Kit</b>	Yearly Service Kit	<b>1</b>

Item	Part No.	Name	Qty	L
1	594764801	Silver Kit LF 100 Honda	1	
-	--	Ground Plate and Eccentric System	1	
2	-	Eccentric Element Repair Kit	1	
3	-	V-Belt Pulley	1	
4	-	Screw	6	
5	-	Lock Washer	6	
6	-	Shock absorber repair kit	1	
-	--	Engine and Transmission	1	
7	-	Yearly Service Kit	1	

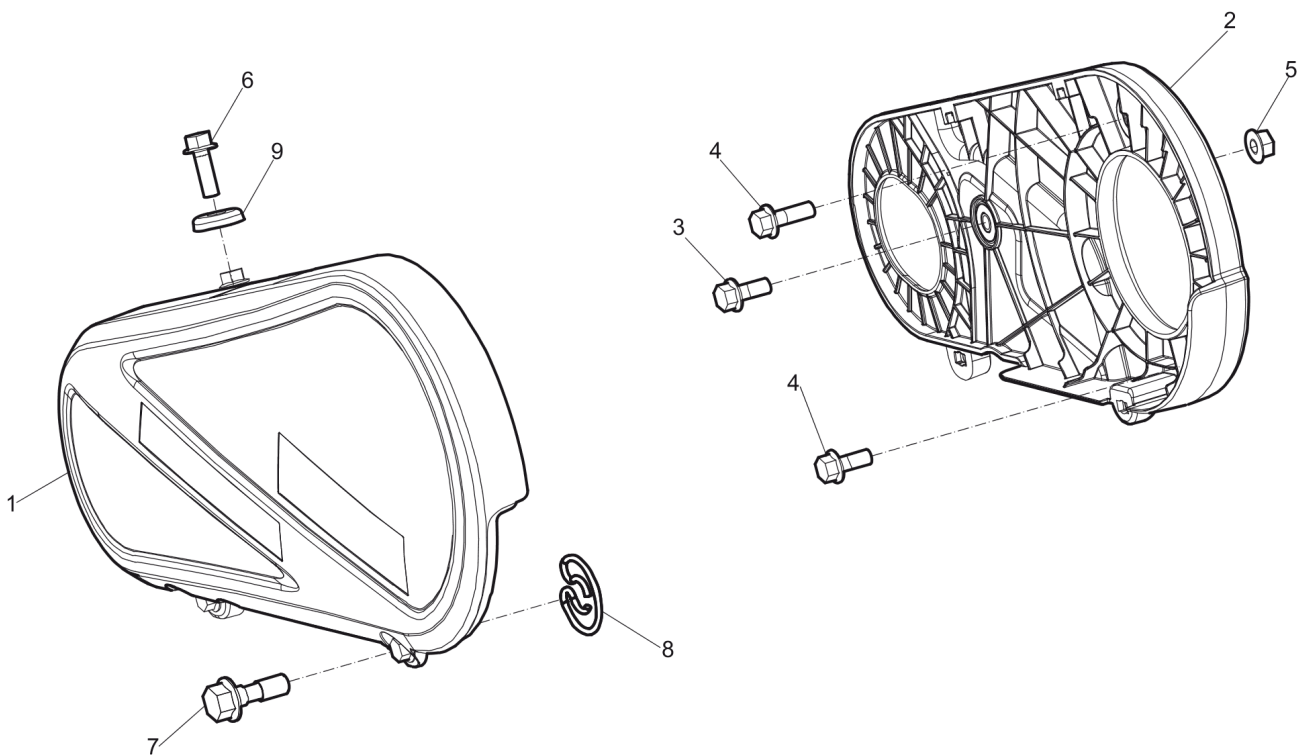
Spare parts list Engine plate installation, Honda





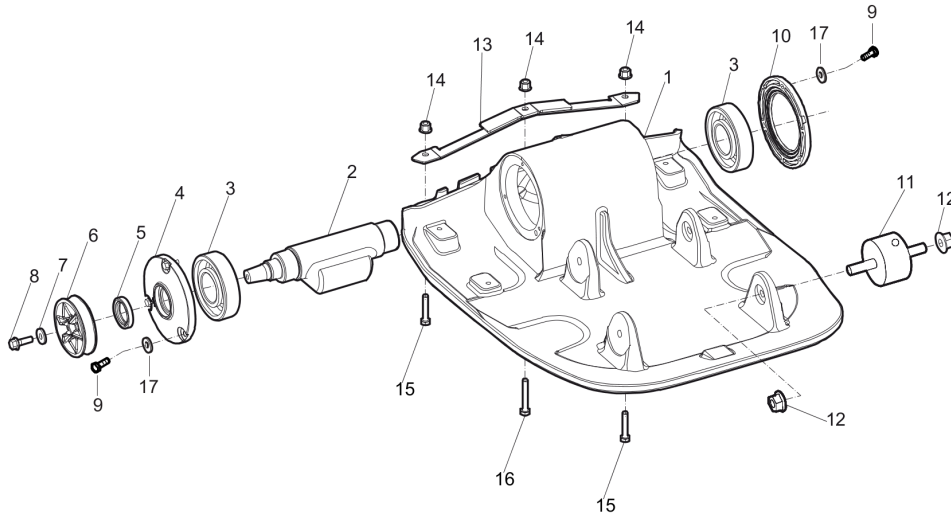
Item	Part No.	Name	Qty	L
1	595185701	Screw, M8x25mm 8.8 A2K	7	
2	594144601	Protective frame	1	
3	594958001	Cover	1	
4	594145401	Engine plate	1	
5	594526401	Square taper washer	2	

**Spare parts list** Transmission cover, Hatz



Item	Part No.	Name	Qty	L
1	594960801	Belt guard	1	
2	594483901	Belt guard, inner	1	
3	-	Screw, M8 x 25 mm 8.8 A2K	1	
4	-	Screw, M10 x 25 mm 8.8 A3K	2	
5	-	Nut, M8 x 1.25 mm A2K	1	
6	-	Screw, M8 x 30 mm 8.8 A2K	2	
7	594648001	Screw, M8 x 25 mm 8.8 A2K	2	
8	594650201	Lock spring	2	
9	594647801	Washer	2	

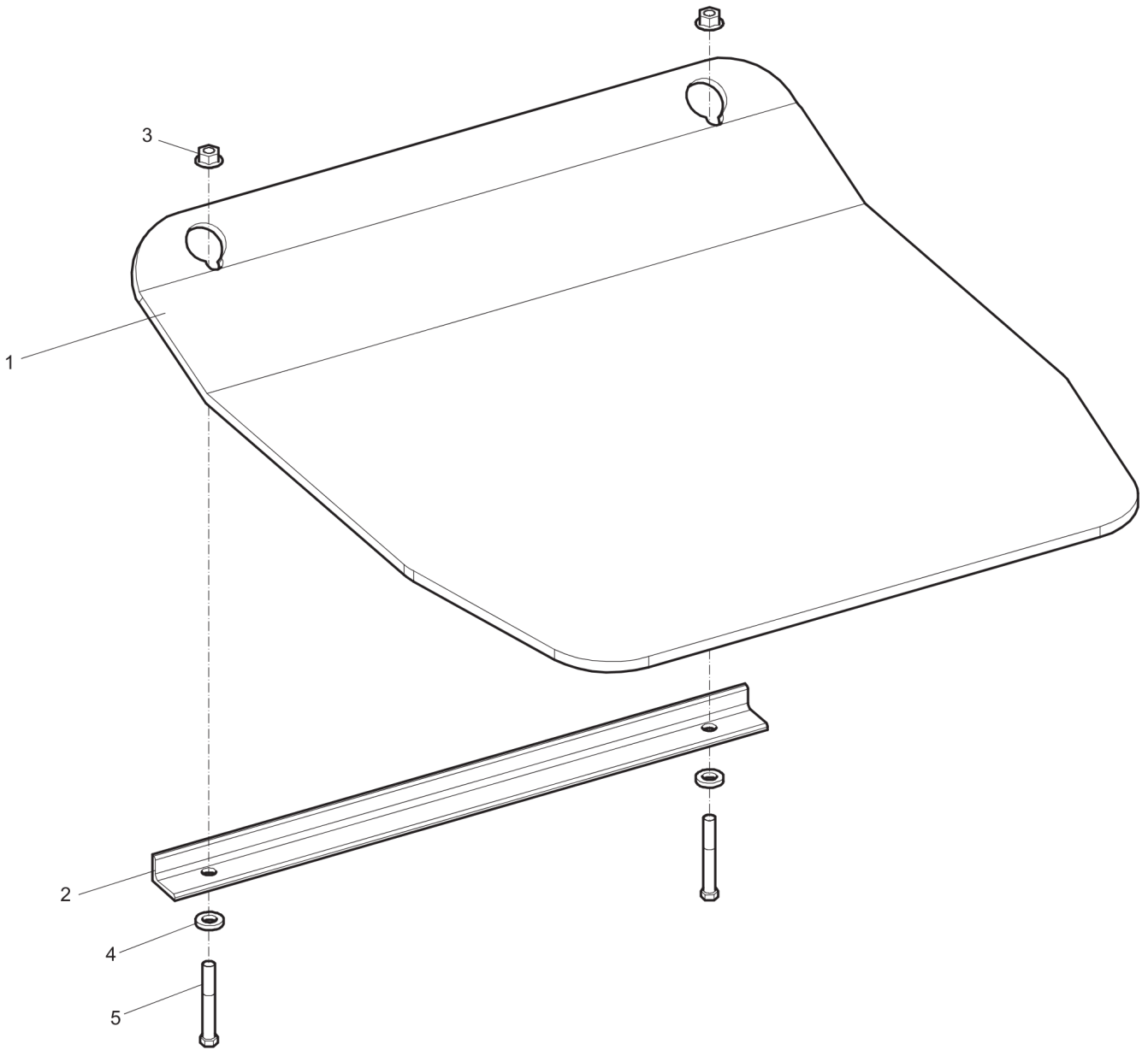
**Spare parts list** Ground plate installation



Refer to the Parts Online web page for most up-to-date information. The printed information might be outdated.

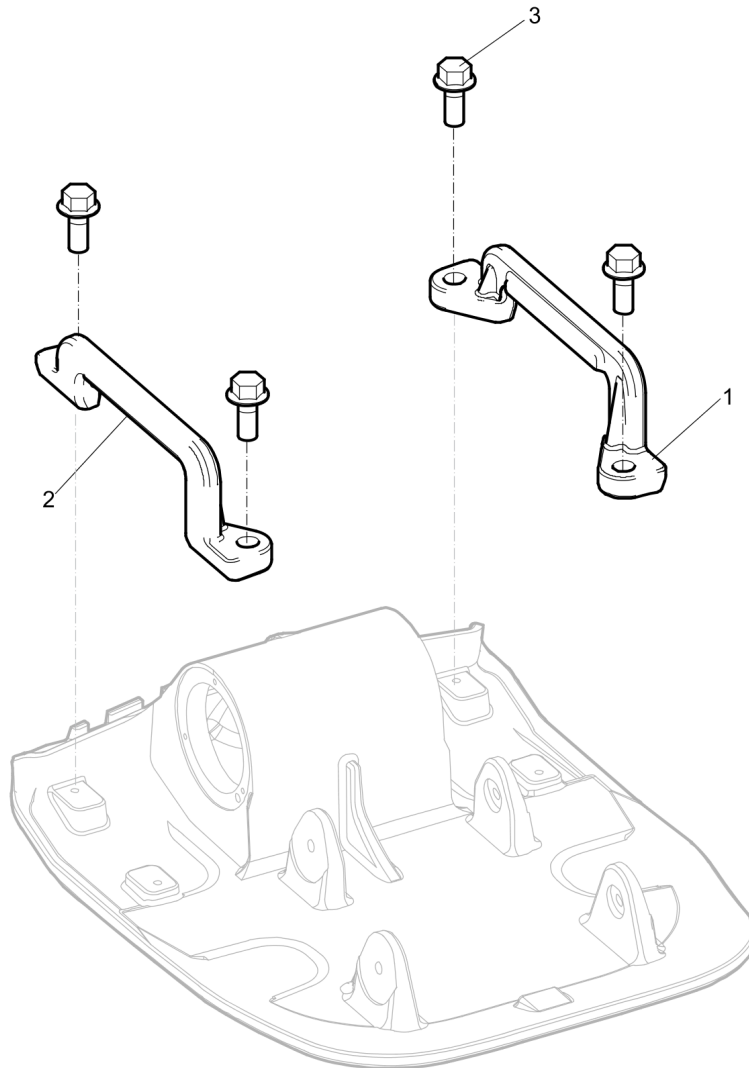
Item	Part No.	Name	Qty	L
1	594650901	Ground plate	1	
2	594643901	Eccentric shaft	1	
3	594526101	Ball bearing	2	
4	594490101	Cover	1	
5	594128301	Lip-type oil seal	1	
6	594486701	V-belt pulley	1	
7	594123401	Washer, 8.4 x 16 x 1.5 mm, 0.33 x 0.63 x 0.06 in. 300 HV	1	
8	594120001	Screw, M8 x 25 mm 8.8 A2K	1	
9	595033201	Hex. head screw	6	
10	594490201	Cover	1	
11	594341901	Shock absorber	4	
12	-	Nut, M10 x 1.5 mm GEOMET®	8	
13	594653201	Sprinkler bar, 500 mm, 19.7 in.	1	
14	-	Lock nut, M8 x 1.25 mm A2K	3	
15	-	Screw, M8 x 55 mm 8.8 A2K	2	
16	-	Screw, M8 x 45 mm 8.8 A2K	1	
17	594124601	Lock washer	6	

**Spare parts list** Block paving plate 500 mm (19.7 in.)



Item	Part No.	Name	Qty	L
1	594484801	Polyurethane plate, 500 mm, 19.7 in.	1	
2	594484901	Bracket	1	
3	595065501	Nut, M8 x 1.25 mm A2K	2	
4	595066601	Washer, 8.4x 6x1.5 mm 300HV	2	
5	594522501	Screw, M8 x 75 mm 8.8 A2K	2	

Spare parts list Lifting handle





Item	Part No.	Name	Qty	L
1	594486801	Handle	1	A
2	594486901	Handle	1	B
3	595179401	Screw, M8x20 mm 8.8 A2K	4	

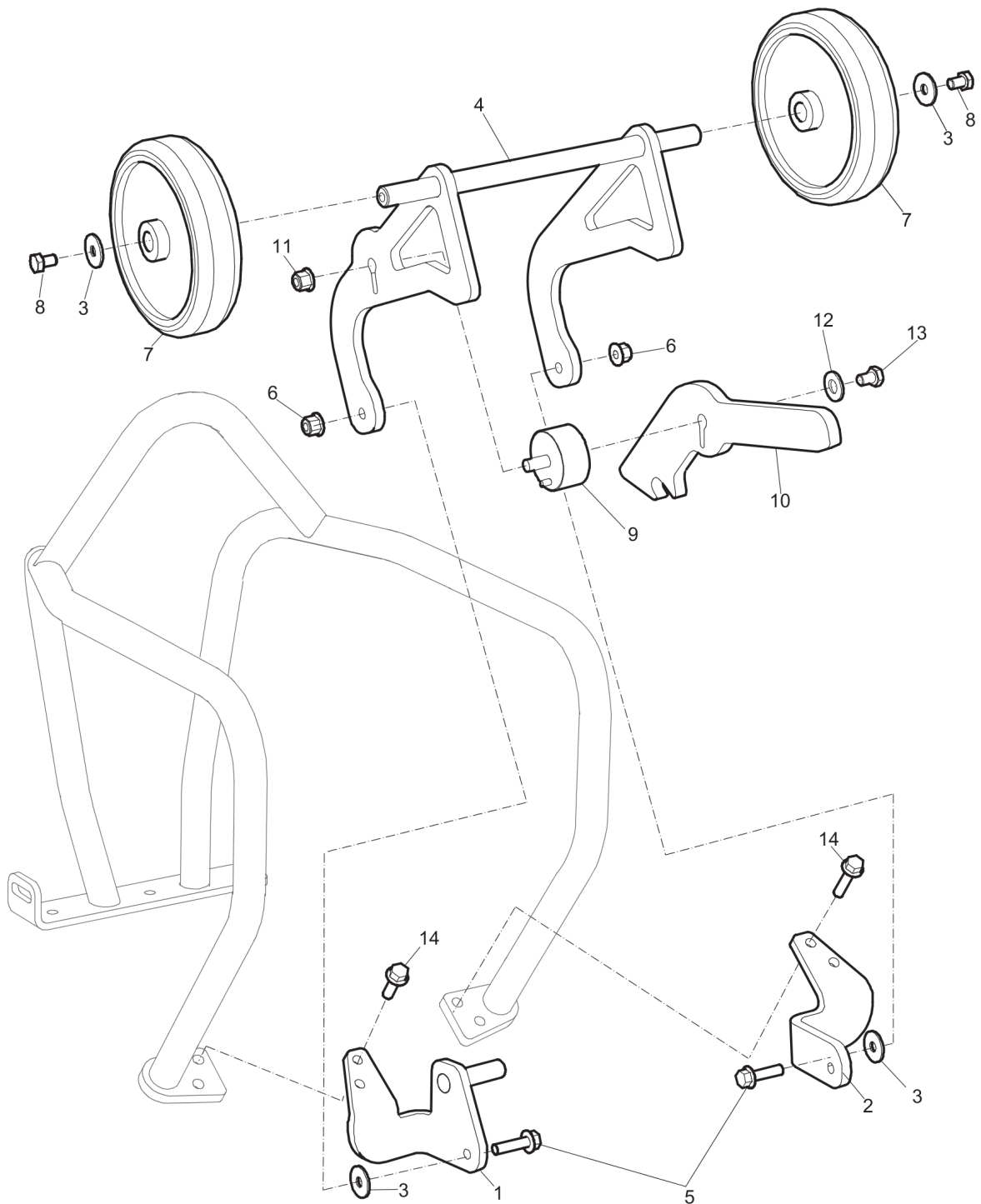
Comments for Page: Lifting handle

(L)OCAL REMARKS

A | Right

B | Left

Spare parts list Transport device, new version



Refer to the Parts Online web page for most up-to-date information. The printed information might be outdated.

Item	Part No.	Name	Qty	L
1	594648701	Bracket	1	A
2	594648901	Bracket	1	B
3	595061001	Washer, 8,4x25x2 mm	4	
4	594648801	Fork	1	
5	595466601	Screw, M8x30 mm 8.8 A2K	2	
6	595064601	Lock nut, M8x1.25 mm A2K	2	
7	594455501	Wheel	2	
8	595053901	Hex. screw	2	
9	594462701	Shock absorber	1	
10	594651001	Hook	1	
11	595064701	Nut, M10	1	
12	595066701	plain washer	1	
13	595055201	Screw, M10x20 mm 8.8 A3K	1	
14	595185701	Screw, M8x25mm 8.8 A2K	4	

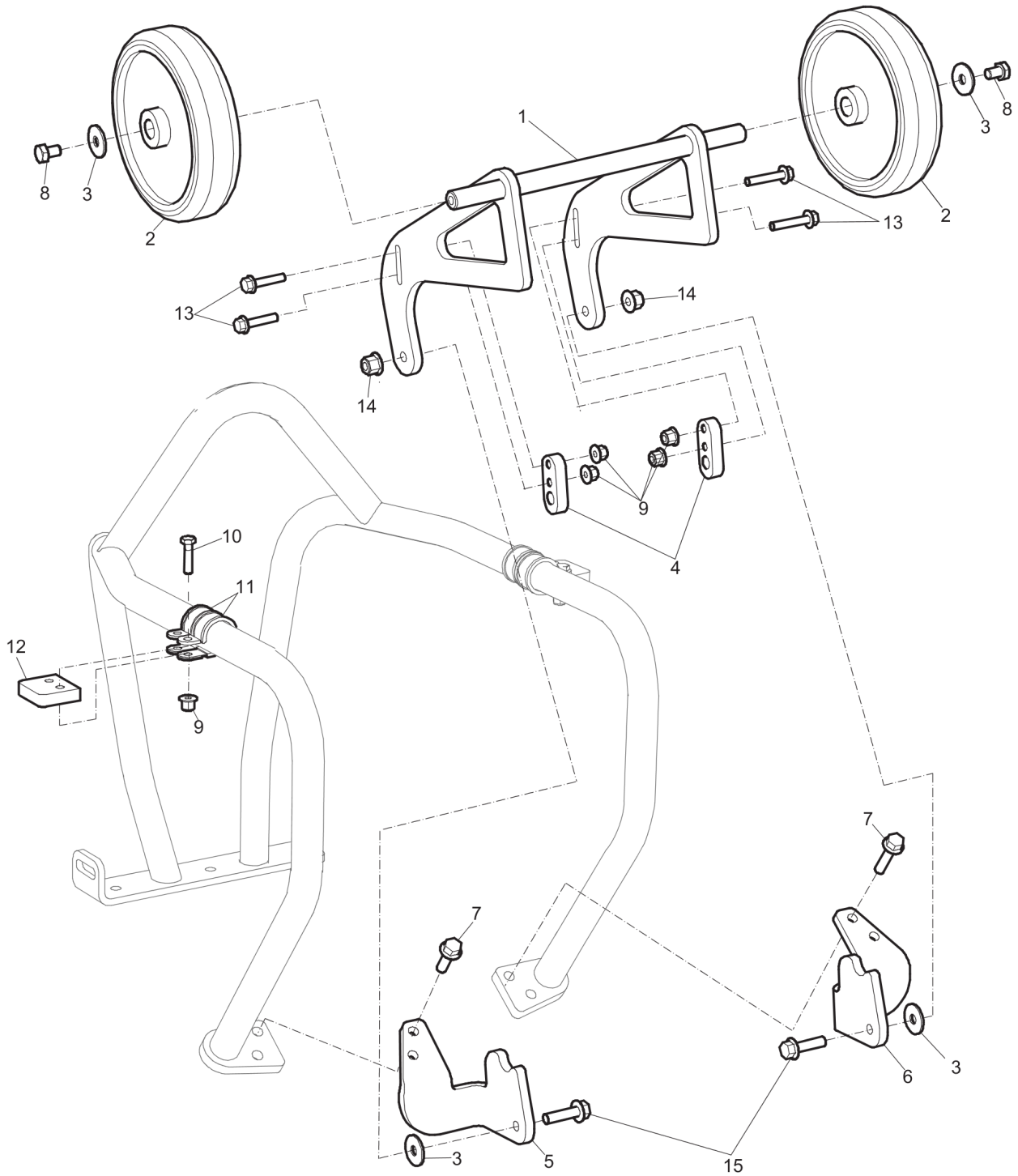
Comments for Page: Transport device, new version

(L)OCAL REMARKS

A | left

B | Right

Spare parts list Transport device, old version



Refer to the Parts Online web page for most up-to-date information. The printed information might be outdated.

Item	Part No.	Name	Qty	L
1	594145801	Fork	1	
2	594455501	Wheel	2	
3	595061001	Washer, 8,4x25x2 mm	4	
4	594485101	Lock	2	
5	594145601	Bracket	1	A
6	594145701	Bracket	1	B
7	595185801	Screw, M8 x 35 mm 8.8	4	
8	595053901	Hex. screw	2	
9	595064501	Nut	8	C
10	595466301	Screw, M6-1,0x25 mm 8.8	4	
11	595068501	Pipe clamp	4	
12	594646001	Stop	2	
13	594499001	Screw, M6x30 mm 8.8 A2K	4	
14	595064601	Lock nut, M8x1.25 mm A2K	2	
15	595466601	Screw, M8x30 mm 8.8 A2K	2	

Comments for Page: Transport device, old version

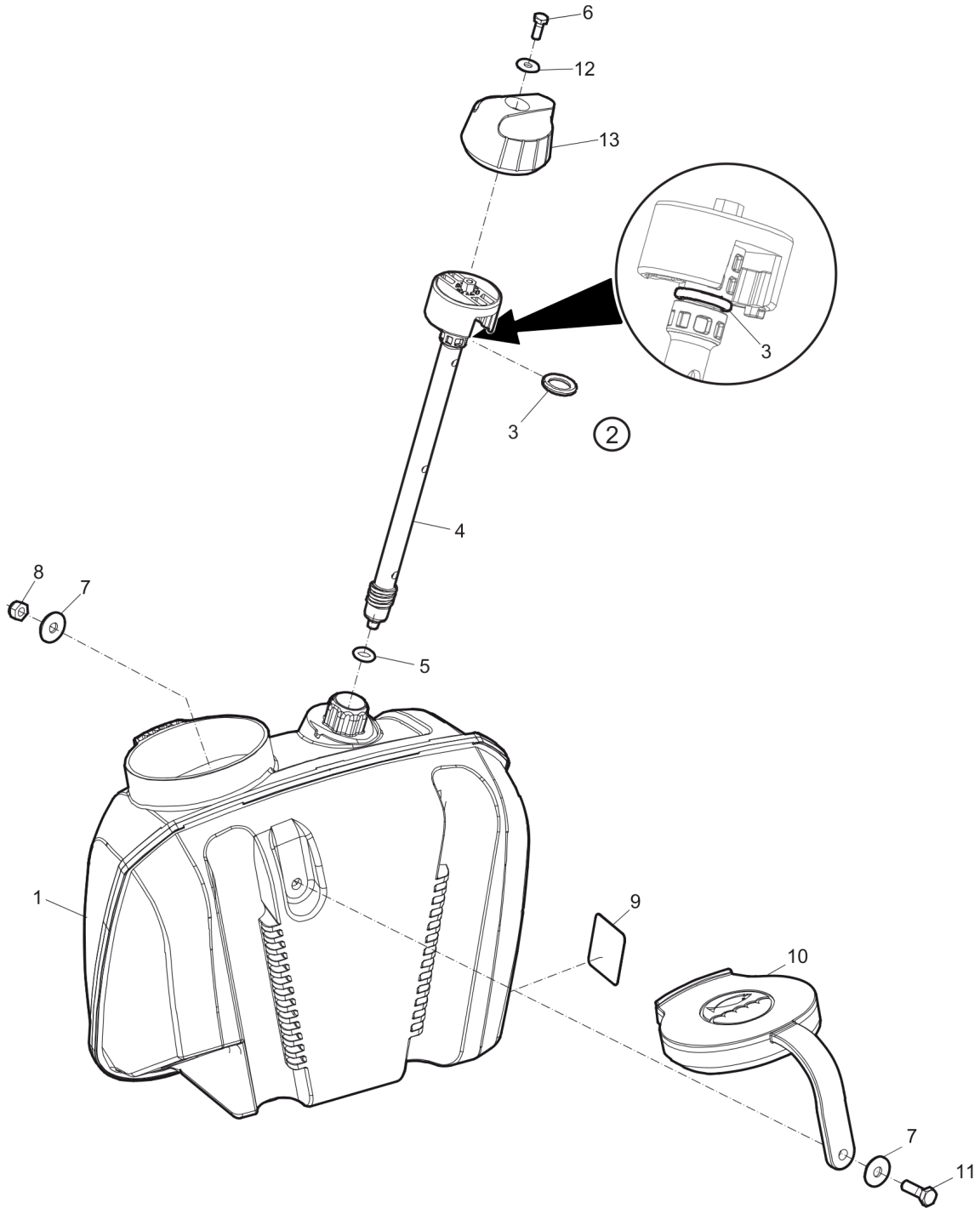
(L)OCAL REMARKS

A | Left

B | Right

C | M 6

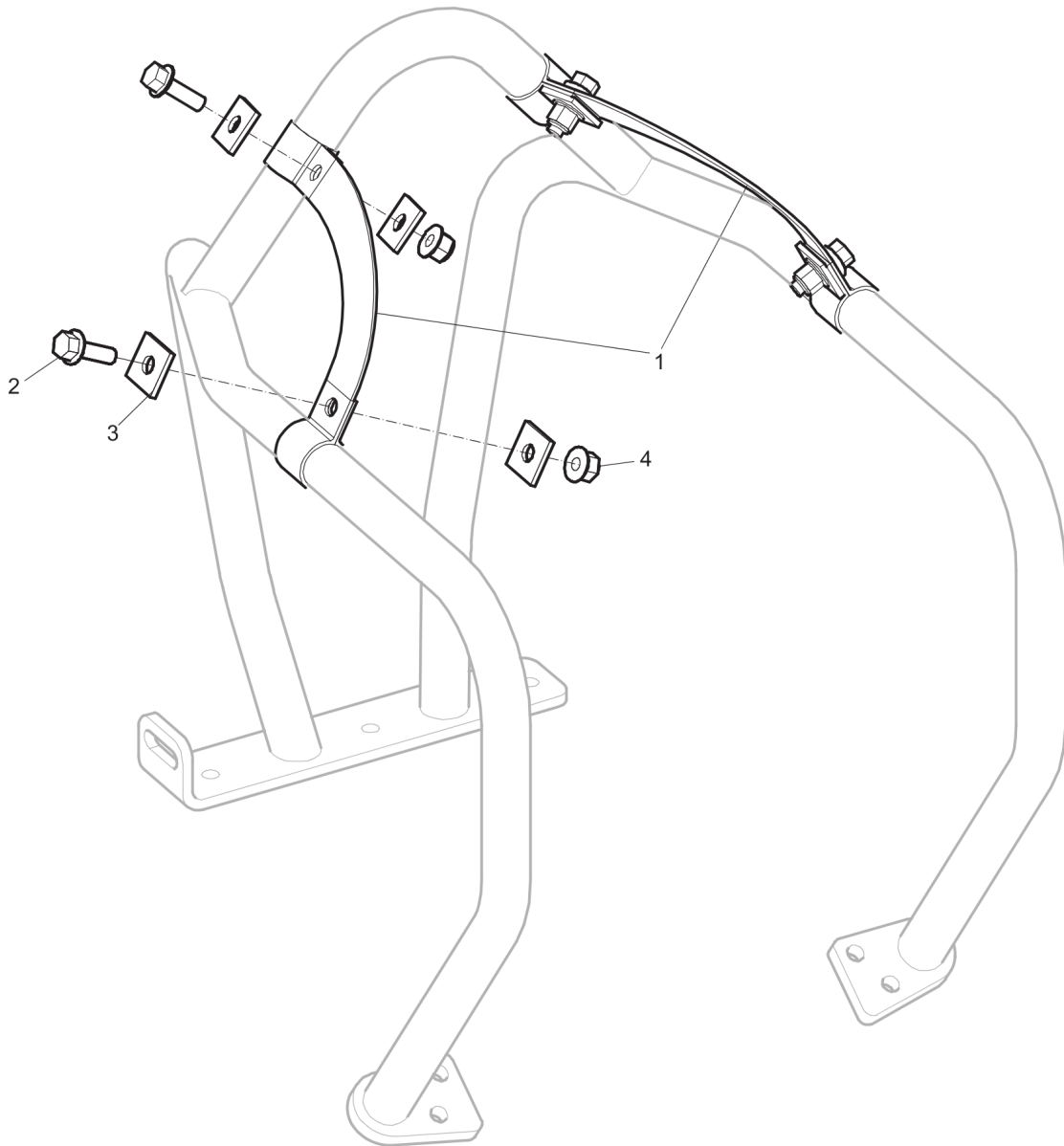
Spare parts list Sprinkler system



Refer to the Parts Online web page for most up-to-date information. The printed information might be outdated.

Item	Part No.	Name	Qty	L
1	594961101	Water tank	1	
2	594212301	Valve rod, complete	1	
3	594127901	O-ring, 15 x 4 mm	1	
4	-	Valve rod	1	
5	594128001	O-ring, 8 x 2.5 mm	1	
6	595465701	Screw, M6x16 mm 8.8 A2K	1	
7	595061001	Washer, 8,4x25x2 mm	2	
8	595062701	Nut, M8 -8 DIN985	1	
9	594483301	Label	1	
10	594481401	Cap	1	
11	595465901	Screw, M8x25 mm 8.8 A2K	1	
12	595069601	Washer, 6.4x18x1.6 mm	1	
13	594481101	Handle	1	

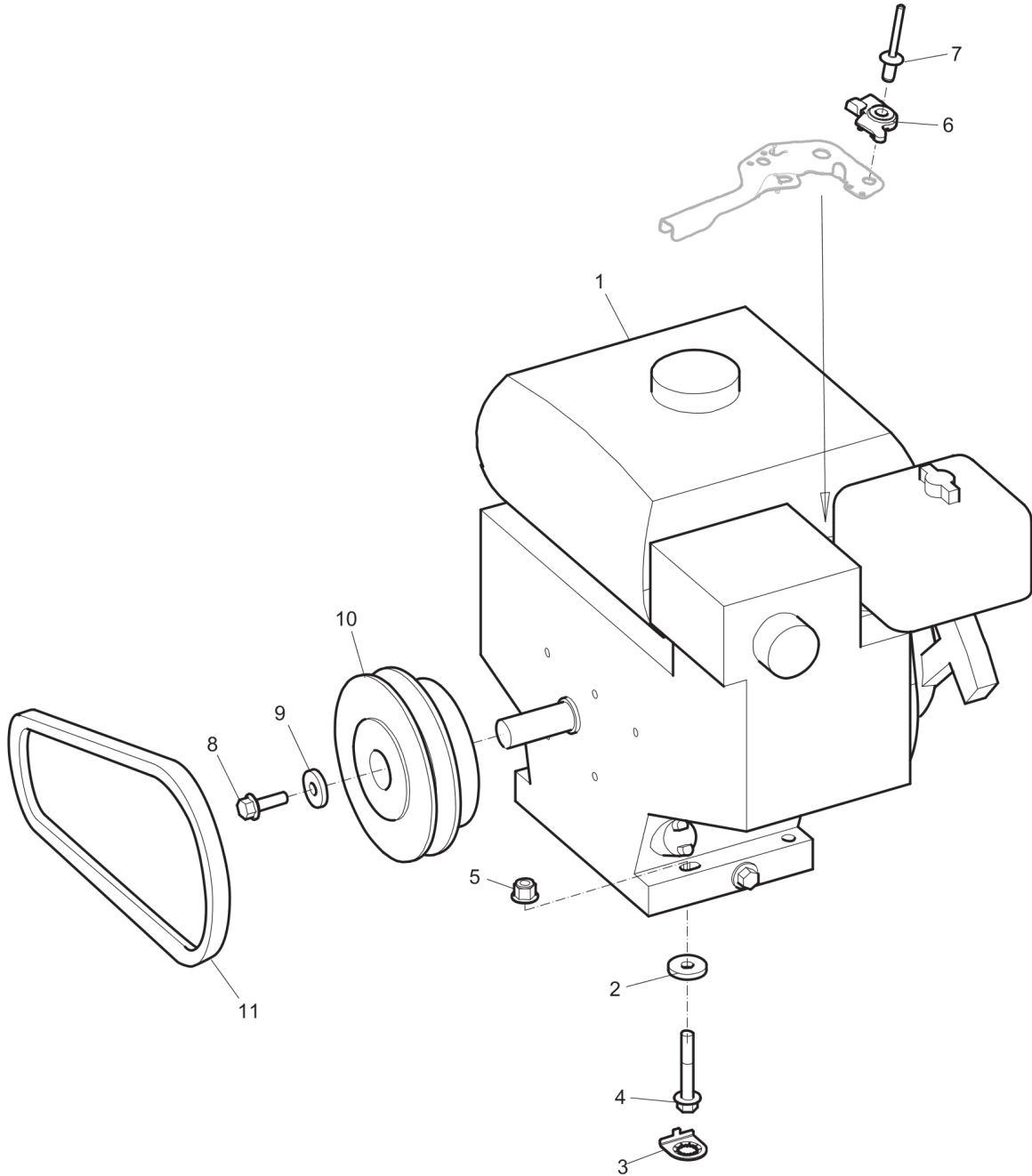
Spare parts list Fork lifting device





Item	Part No.	Name	Qty	L
1	594489901	Strap	2	
2	595185701	Screw, M8x25mm 8.8 A2K	4	
3	595182701	Washer, 9 x 25 x 3 mm, 0.35 x 0.98 x 0.12 in.	8	
4	595064601	Lock nut, M8x1.25 mm A2K	4	

Spare parts list Engine installation, Honda



Refer to the Parts Online web page for most up-to-date information. The printed information might be outdated.

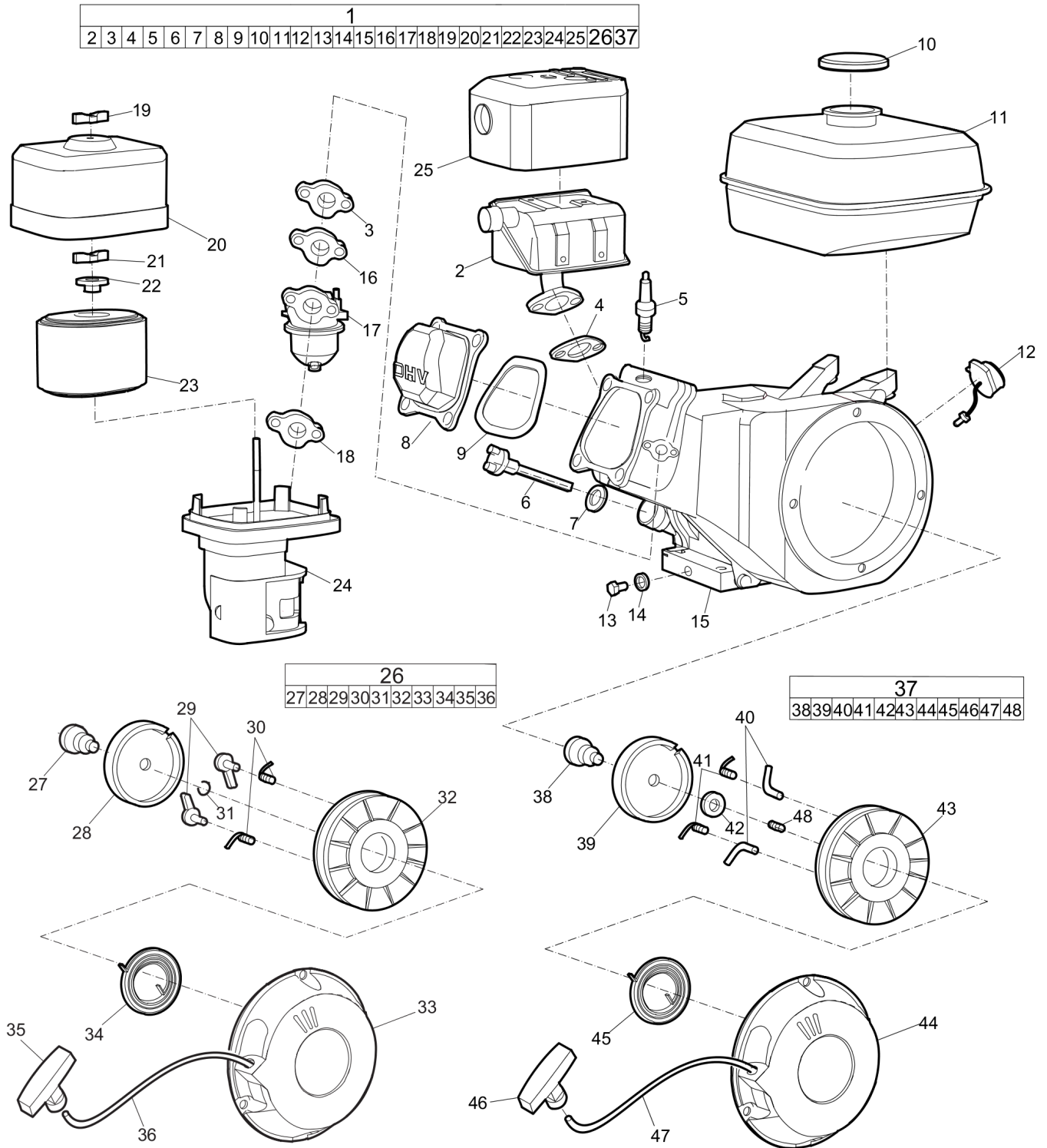
Item	Part No.	Name	Qty	L
1	594329901	Engine, Honda GX160UT2 SXS4 SD	1	A
2	595068001	Washer, 8.4x26x4 mm 300 HV	4	
3	594484201	Washer	4	
4	594499101	Screw, M8x50 mm 8.8 A2K	4	
5	595064601	Lock nut, M8x1.25 mm A2K	4	
6	595177601	Stiffener	1	
7	-	Blind rivet, 6.4 x 12 mm , 0.25 x 0.47 in.	1	
8	595185701	Screw, M8x25mm 8.8 A2K	1	
9	595185701	Screw, M8x25mm 8.8 A2K	1	
10	594480101	Centrifugal clutch	1	
11	594488801	V-belt	1	

Comments for Page: Engine installation, Honda

(L)OCAL REMARKS

A | Honda GX160UT2 SXS4 SD

Spare parts list Engine, Honda GX 160 UT2 SXS4 OH



Refer to the Parts Online web page for most up-to-date information. The printed information might be outdated.

Item	Part No.	Name	Qty	L
1	594329901	Engine, Honda GX160UT2 SXS4 SD	1	
2	594203601	Silencer	1	
3	594204101	Gasket	1	
4	594300401	Gasket, muffler	1	
5	594204001	Plug, spark (bpr6es) (ngk)	1	
6	594203801	Cap assy., oil filler	1	
7	594203901	Gasket	1	
8	595471101	Cover comp., head	1	
9	595048801	Gasket	1	
10	594204601	Fuel cap	1	
11	594204501	Fuel tank	1	
12	594204401	Switch assy., engine stop	1	
13	595452801	Oil plug	1	
14	595048901	Oil plug gasket	1	
15	--	Engine part	1	
16	594572601	Gasket	1	
17	594203701	Carburetor	1	
18	595070001	Spacer	1	
19	595049301	Nut	1	
20	595049201	Cover	1	
21	595049301	Nut	1	
22	595049401	Grommet	1	
23	594302101	Air Filter, complete	1	A
24	594582401	Air filter housing	1	
25	594300201	Muffler cover, upper	1	
26	594300601	Recoil starter, cpl	1	B, E
27	594304501	Screw	1	
28	594304401	Guide	1	
29	594304201	Ratchet	2	B
30	594304101	Spring	2	
31	594304301	Friction spring	1	B
32	594304001	Reel	1	
33	---	Housing	1	
34	594303901	Spring	1	
35	594304801	Grip, starter	1	
36	595049101	Starting rope	1	
37	594204801	Starter assy., recoil *nh1*	1	C, D
38	595381301	Adjustment screw	1	C

Refer to the Parts Online web page for most up-to-date information. The printed information might be outdated.

Item	Part No.	Name	Qty	L
39	594304401	Guide	1	
40	594204201	Ratchet	2	C
41	594304101	Spring	2	
42	595131001	Friction washer	1	C
43	594204301	Reel	1	C
44	---	Housing	1	
45	594303901	Spring	1	
46	594304801	Grip, starter	1	
47	595049101	Starting rope	1	
48	594204701	Friction spring	1	J

Comments for Page: Engine, Honda GX 160 UT2 SXS4 OH

(L)OCAL REMARKS

A | Delivered with outer and inner filter.

B | Valid up to engine serial number 1411005.

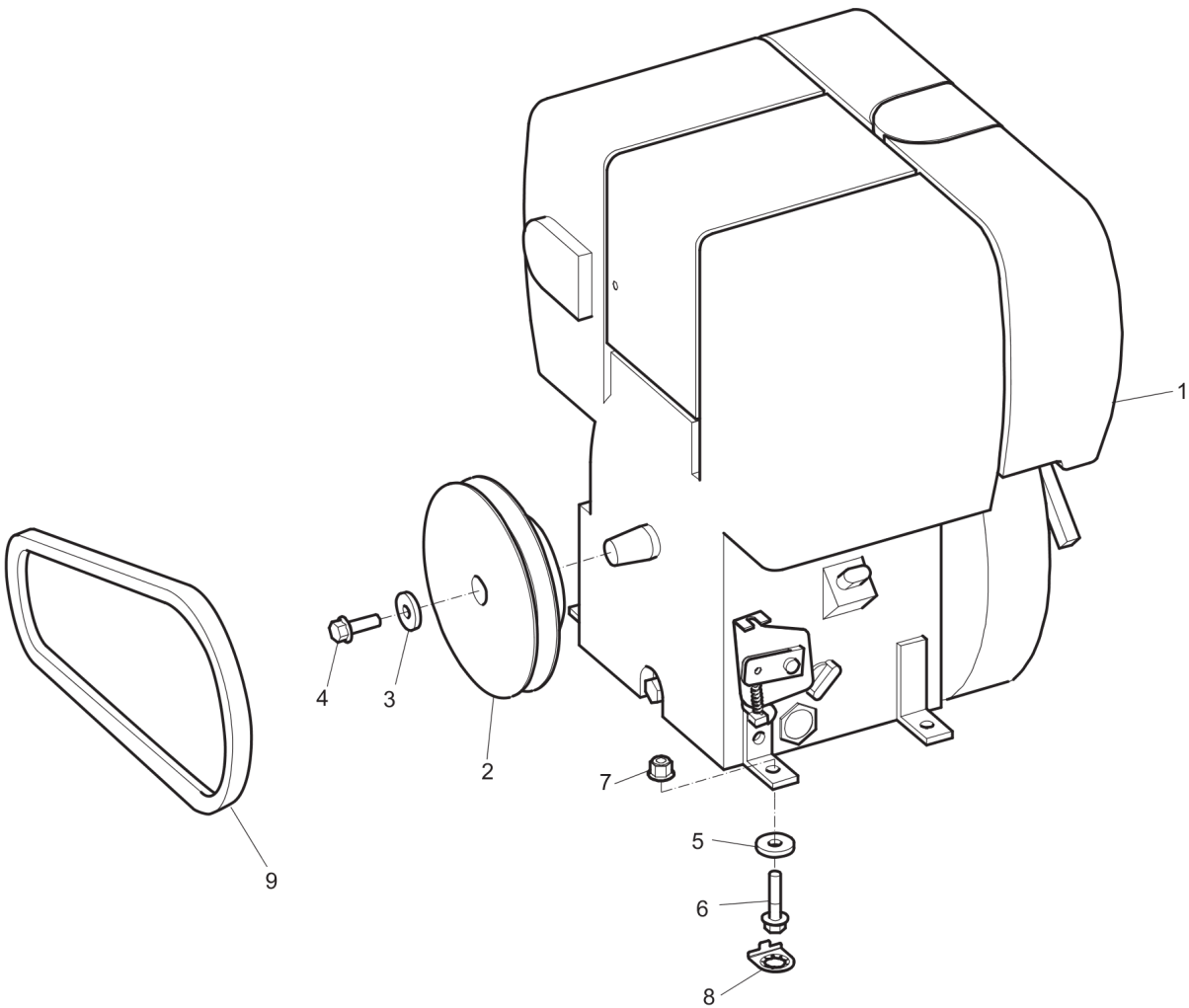
C | Valid from engine serial number 1411006.

D | Black

E | Red

This page intentionally left blank

**Spare parts list** Engine installation, Hatz





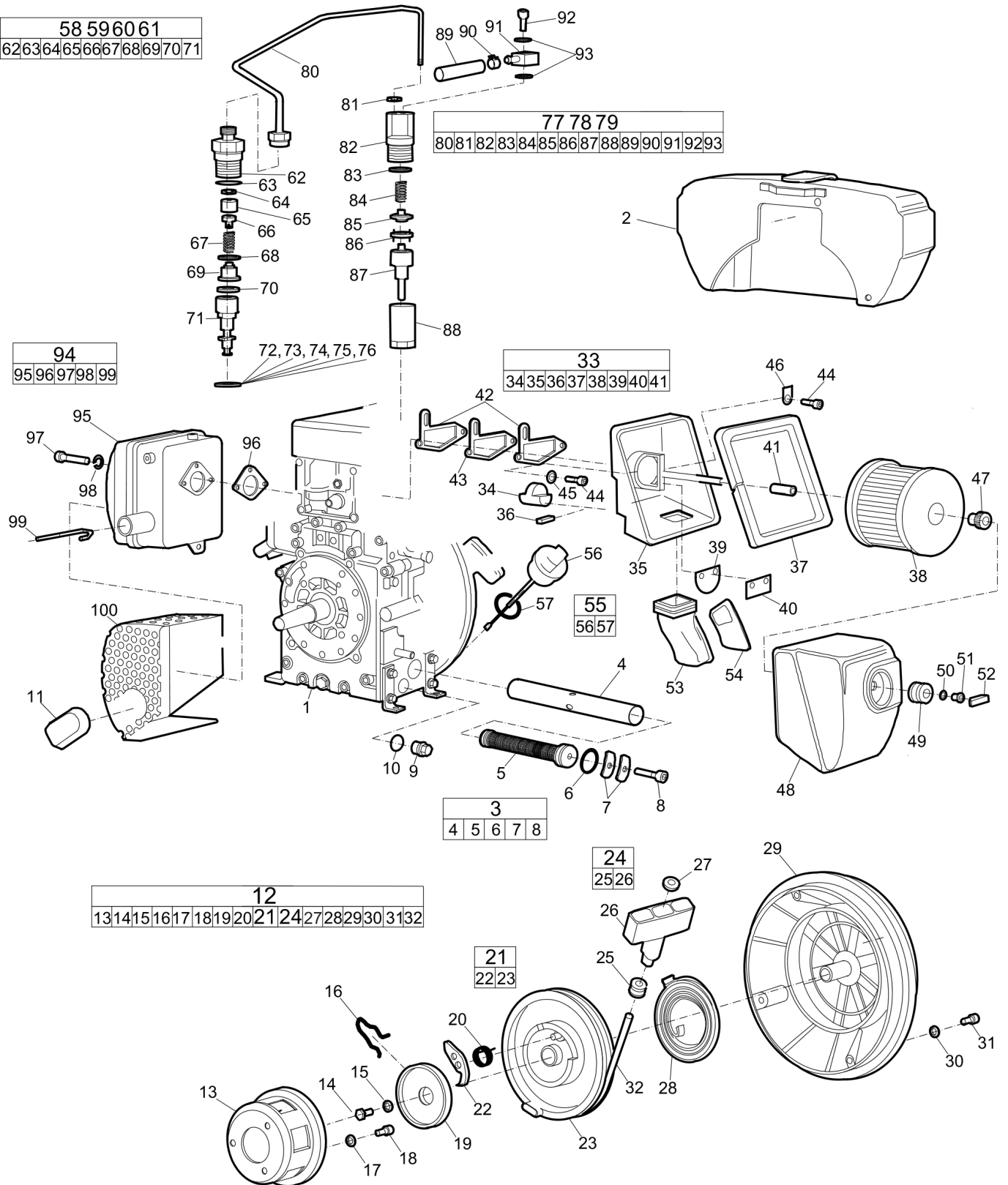
Item	Part No.	Name	Qty	L
1	595177301	Engine	1	
2	594480001	Centrifugal clutch	1	
3	-	Washer, 8.4 x 22 x 3 mm 300 HV, 0.33 x 1.02 x 0.16 in. 300 HV	1	
4	-	Screw, M8 x 25 mm 8.8 A2K	1	
5	-	Washer, 8.4 x 22 x 3 mm 300 HV, 0.33 x 1.02 x 0.16 in. 300 HV	4	
6	-	Screw, M8 x 35 mm 8.8 A2K	4	
7	-	Lock nut, M8 x 1.25 mm A2K	4	
8	594484201	Washer	4	
9	594488901	V-belt	1	

Comments for Page: Engine installation, Hatz

(L)OCAL REMARKS

A | Hatz 1B20

Spare parts list Engine, Hatz 1B20 manual start



Refer to the Parts Online web page for most up-to-date information. The printed information might be outdated.

Item	Part No.	Name	Qty	L
1	595177301	Engine	1	
2	-	Fuel tank	1	
3	594570101	Oil strainer, cpl	1	
4	--	Tube	1	
5	--	Oil strainer	1	
6	595380601	O-ring	1	
7	595380701	Washer	2	
8	--	Screw, M6 x 16 mm	1	
9	594570201	Plug	1	
10	594513001	Washer	1	
11	594570401	Exhaust pipe	1	
12	594568401	Recoil starter, cpl	1	
13	594569901	Starter pulley	1	
14	--	Screw, M6 x 18 mm	1	
15	--	Washer, M6	1	
16	594569201	Spring	1	
17	--	Spring washer, M6	1	
18	--	Screw, M6 x 10 mm	1	
19	594569301	Friction plate	1	
20	594569701	O-ring	1	
21	594569101	Reel	1	
22	594569601	Ratchet	1	
23	---	Start pulley	1	
24	594568501	Handle, complete	1	
25	594202401	Sleeve	1	
26	-	Handle	1	
27	594202501	Washer, 5.3 mm, 0.21 in.	1	
28	594568601	Spiral spring	1	
29	594568701	Housing	1	
30	--	Washer, M6	4	
30	--	Washer, M6	4	
30	--	Washer, M6	4	
30	--	Washer, M6	4	
31	--	Screw, M6	4	
32	594569001	Starting rope	1	
33	594202701	Air filter housing, complete	1	
34	594572101	Vent nipple	1	
35	--	Housing	1	

Refer to the Parts Online web page for most up-to-date information. The printed information might be outdated.

Item	Part No.	Name	Qty	L
36	595380801	Sealing strip	1	
37	594604301	Sealing strip	1	
38	595377301	Air Filter	1	
39	--	Valve plate	1	
40	--	Valve plate	1	
40	--	Valve plate	1	
40	--	Valve plate	1	
40	--	Valve plate	1	
41	594202601	Rubber sleeve	1	
42	594572001	Gasket	2	
43	595470201	Gasket	1	
44	-	Tube	3	
45	-	Washer, M8	2	
46	594570901	Washer	1	
47	594571201	Nut	1	
48	594571301	Protecting cover	1	
49	594571401	Rubber sleeve	1	
50	595380901	Shim	1	
51	-	Rivet	1	
52	594571601	Plate	1	
53	594571701	Rubber hose	1	
54	594571601	Plate	1	
55	594578001	Oil dipstick	1	
56	--	Dipstick	1	
57	594605501	O-ring	1	
58	594202801	Injection pump, complete	1	
59	595472301	Injection pump, complete	1	
60	594761001	Injection pump, complete	1	
61	594584701	Injection pump cpl	1	
62	--	Pump part	1	
63	--	Pump part	1	
63	--	Pump part	1	
64	--	Pump part	1	
63	--	Pump part	1	
65	--	Pump part	1	
64	--	Pump part	1	
66	--	Pump part	1	
64	--	Pump part	1	

Refer to the Parts Online web page for most up-to-date information. The printed information might be outdated.

Item	Part No.	Name	Qty	L
67	--	Pump part	1	
65	--	Pump part	1	
68	--	Pump part	1	
65	--	Pump part	1	
69	--	Pump part	1	
66	--	Pump part	1	
70	--	Pump part	1	
66	--	Pump part	1	
71	--	Pump part	1	
67	--	Pump part	1	
67	--	Pump part	1	
68	--	Pump part	1	
68	--	Pump part	1	
69	--	Pump part	1	
69	--	Pump part	1	
70	--	Pump part	1	
70	--	Pump part	1	
71	--	Pump part	1	
71	--	Pump part	1	
81	--	Injector part	1	
72	595190301	O-ring 0,2 mm	1	
82	--	Injector part	1	
73	594568001	O-ring 0,3 mm	1	
83	--	Injector part	1	
74	594568101	O-ring 0,4 mm	1	
84	--	Injector part	1	
75	594568201	O-ring 0,5 mm	1	
85	--	Injector part	1	
76	594568301	O-ring 0,6 mm	1	
86	--	Injector part	1	
77	594202901	Injector, complete	1	
87	--	Injector part	1	
78	594853501	Injector, complete	1	
88	--	Injector part	1	
79	595471701	Injector, complete	1	
89	--	Injector part	1	
80	--	Injector part	1	
90	--	Injector part	1	

Refer to the Parts Online web page for most up-to-date information. The printed information might be outdated.

Item	Part No.	Name	Qty	L
81	--	Injector part	1	
91	--	Injector part	1	
81	--	Injector part	1	
92	--	Injector part	1	
82	--	Injector part	1	
93	--	Injector part	1	
82	--	Injector part	1	
83	--	Injector part	1	
83	--	Injector part	1	
84	--	Injector part	1	
84	--	Injector part	1	
85	--	Injector part	1	
85	--	Injector part	1	
86	--	Injector part	1	
86	--	Injector part	1	
87	--	Injector part	1	
87	--	Injector part	1	
88	--	Injector part	1	
88	--	Injector part	1	
89	--	Injector part	1	
89	--	Injector part	1	
90	--	Injector part	1	
90	--	Injector part	1	
91	--	Injector part	1	
91	--	Injector part	1	
92	--	Injector part	1	
92	--	Injector part	1	
93	--	Injector part	1	
93	--	Injector part	1	
94	595193601	Silencer, complete	1	
95	--	Silencer	1	
96	595192601	Gasket	1	
97	--	Screw, M8 x 25 mm	1	
98	--	Washer, M8	1	
99	595381001	Hook	1	
100	595381101	Cover	1	

Comments for Page: Engine, Hatz 1B20 manual start

Refer to the Parts Online web page for most up-to-date information. The printed information might be outdated.

## (L)OCAL REMARKS

A | Hatz 1B20 manual start

Consist of item 2 to 100.

B | See section "Fuel tank"

C | Black

D | Red

E | Valid from engine serial number 10032xxxxxxx

F | Valid from engine serial number 10031xxxxxxx

Consist of item 62 to 71.

G | Valid from engine serial number 10030xxxxxxx

Consist of item 62 to 71.

H | Valid from engine serial number 10029xxxxxxx

Consist of item 62 to 71.

I | Valid from engine serial number 10032xxxxxxx

Consist of item 80 to 93.

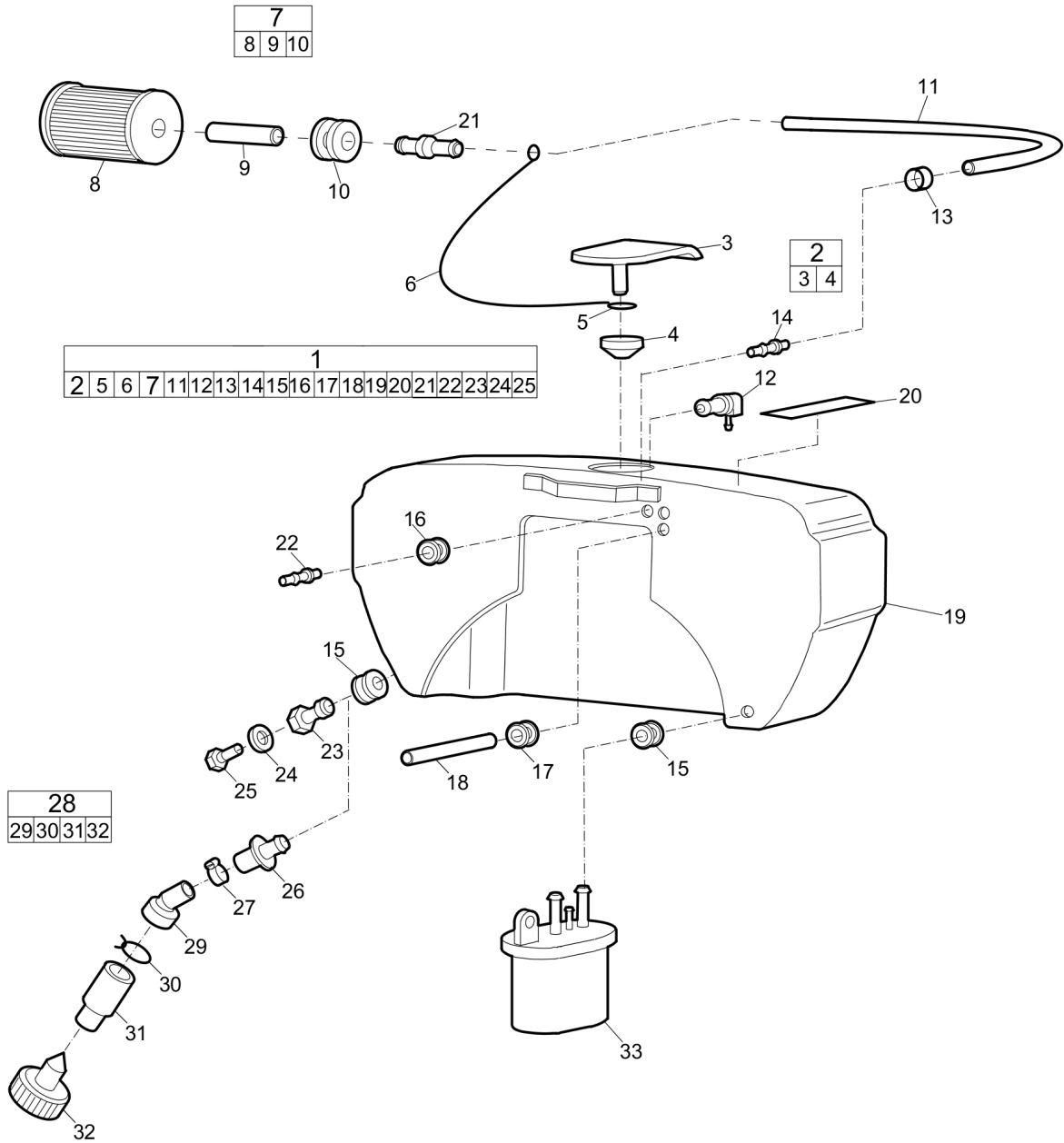
J | Valid from engine serial number 10031xxxxxxx

Valid from engine serial number 10030xxxxxxx

Consist of item 80 to 93.

K | Valid from engine serial number 10029xxxxxxx

Spare parts list Fuel tank, Hatz 1B20



Refer to the Parts Online web page for most up-to-date information. The printed information might be outdated.



Item	Part No.	Name	Qty	L
1	594203001	Fuel tank, complete	1	
2	594566101	Fuel cap	1	
3	---	Cap	1	
4	---	Gasket	1	
5	595381201	Circlip	1	
6	594203501	Rope	1	
7	595377401	Fuel filter	1	
8	---	Filter element	1	
9	---	Pipe	1	
10	594567001	Gasket	1	
11	594203401	Fuel hose	1	
12	594566301	Ventilation valve	1	
13	594567601	Hose clamp	1	
14	594566401	Adapter	1	
15	594566501	Gasket	2	
16	595191601	Rubber sleeve	1	
17	594567001	Gasket	1	
18	594567101	Pipe	1	
19	--	Fuel tank	1	
20	--	Label	1	
21	594605201	Nipple	1	
22	595192701	Nipple	1	
23	--	Nipple	1	
24	--	Joint	1	
25	594203301	Ventilating screw	1	
26	594203201	Nipple	1	
27	594203101	Clamp	1	
28	594583201	Water separator, cpl	1	
29	--	Hose	1	
30	--	Hose clip	1	
31	--	Water separator	1	
32	--	Drain screw	1	
33	594601901	Fuel filter	1	

Comments for Page: Fuel tank, Hatz 1B20

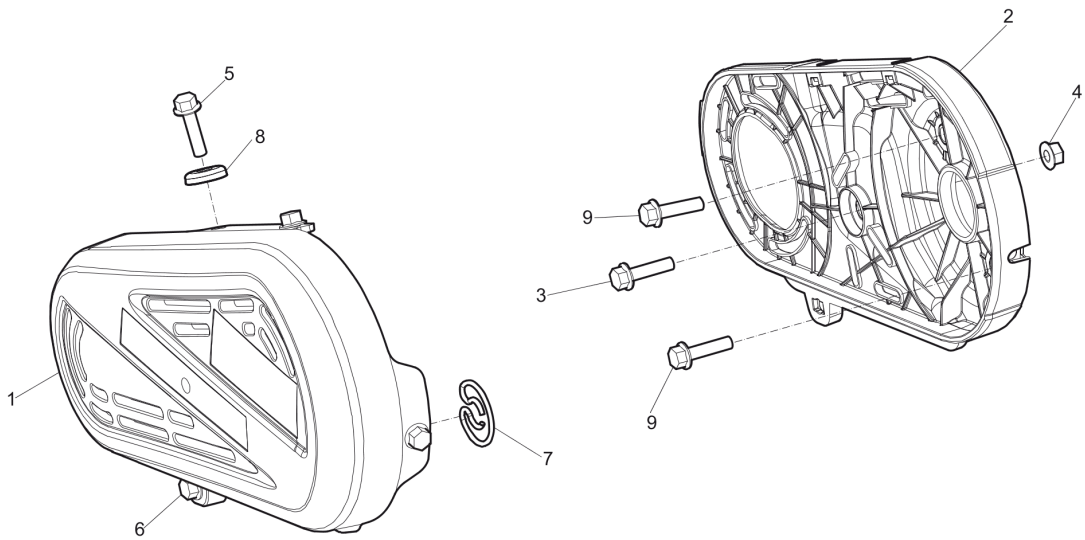
(L)OCAL REMARKS

Refer to the Parts Online web page for most up-to-date information. The printed information might be outdated.

A | Not for ordinary maintenance.

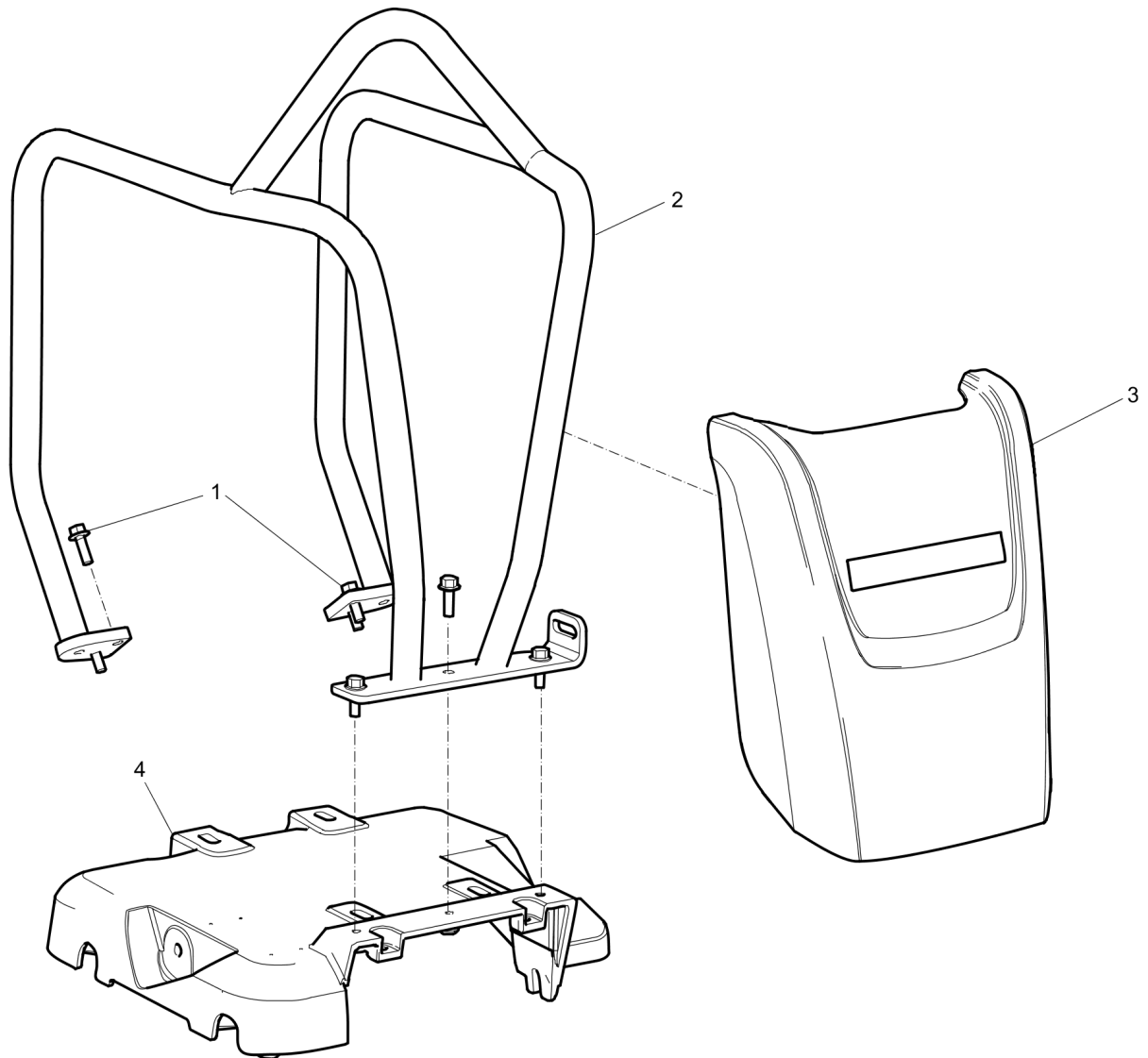
This page intentionally left blank

**Spare parts list** Transmission cover, Honda



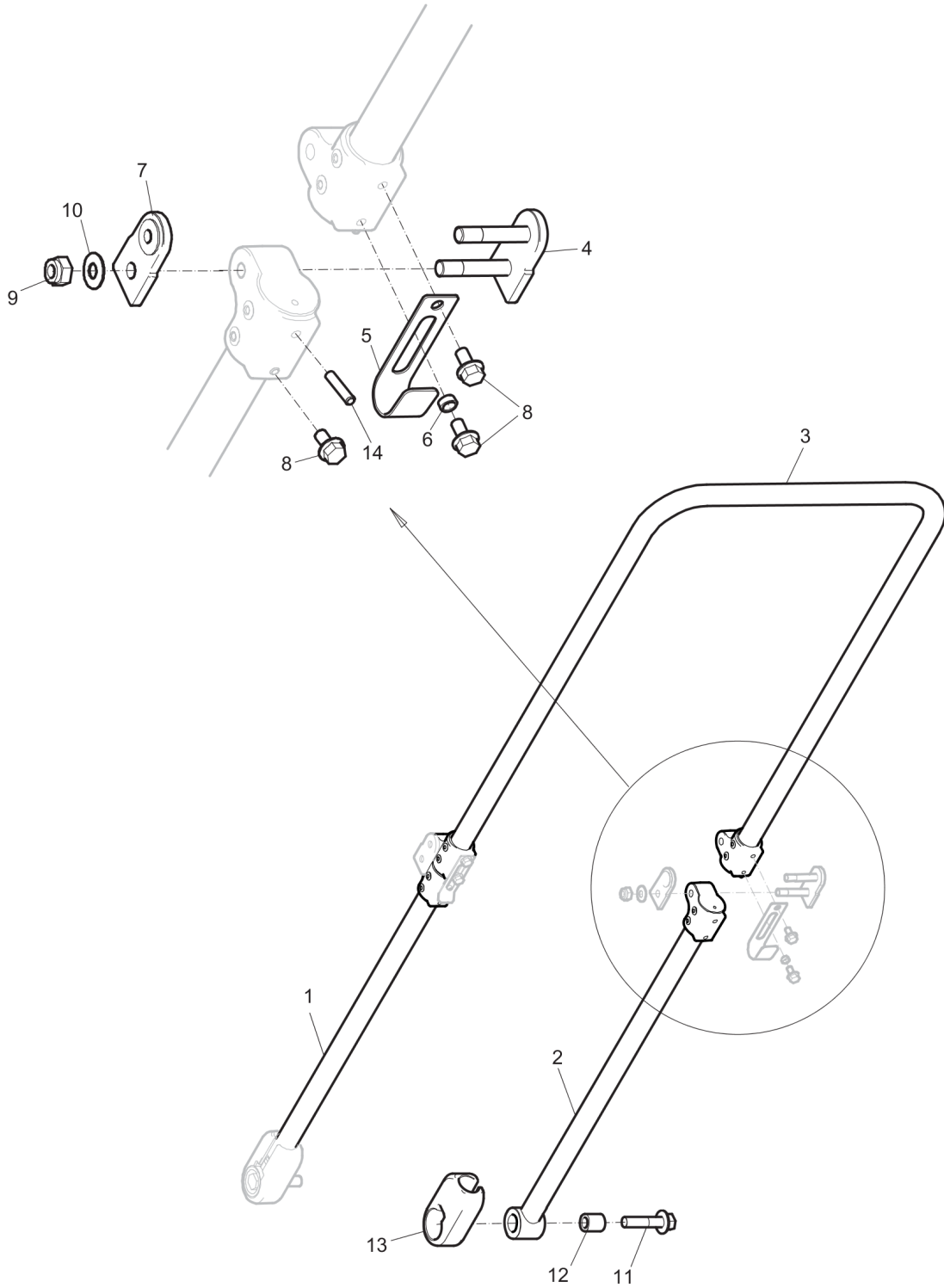
Item	Part No.	Name	Qty	L
1	594960701	Belt guard, inner	1	
2	594483101	Belt guard, outer	1	
3	594120001	Screw, M8 x 25 mm 8.8 A2K	3	
4	595065501	Nut, M8 x 1.25 mm A2K	1	
5	594119801	Flange screw	3	
6	594648001	Screw, M8 x 25 mm 8.8 A2K	1	
7	594650201	Lock spring	1	
8	594647801	Washer	3	
9	594746701	Screw, M8 x 20 mm 8.8 A2K	2	

**Spare parts list** Engine plate installation, Hatz



Item	Part No.	Name	Qty	L
1	595185701	Screw, M8x25mm 8.8 A2K	7	
2	594144701	Protective frame	1	
3	594959501	Cover	1	
4	594145501	Engine plate	1	

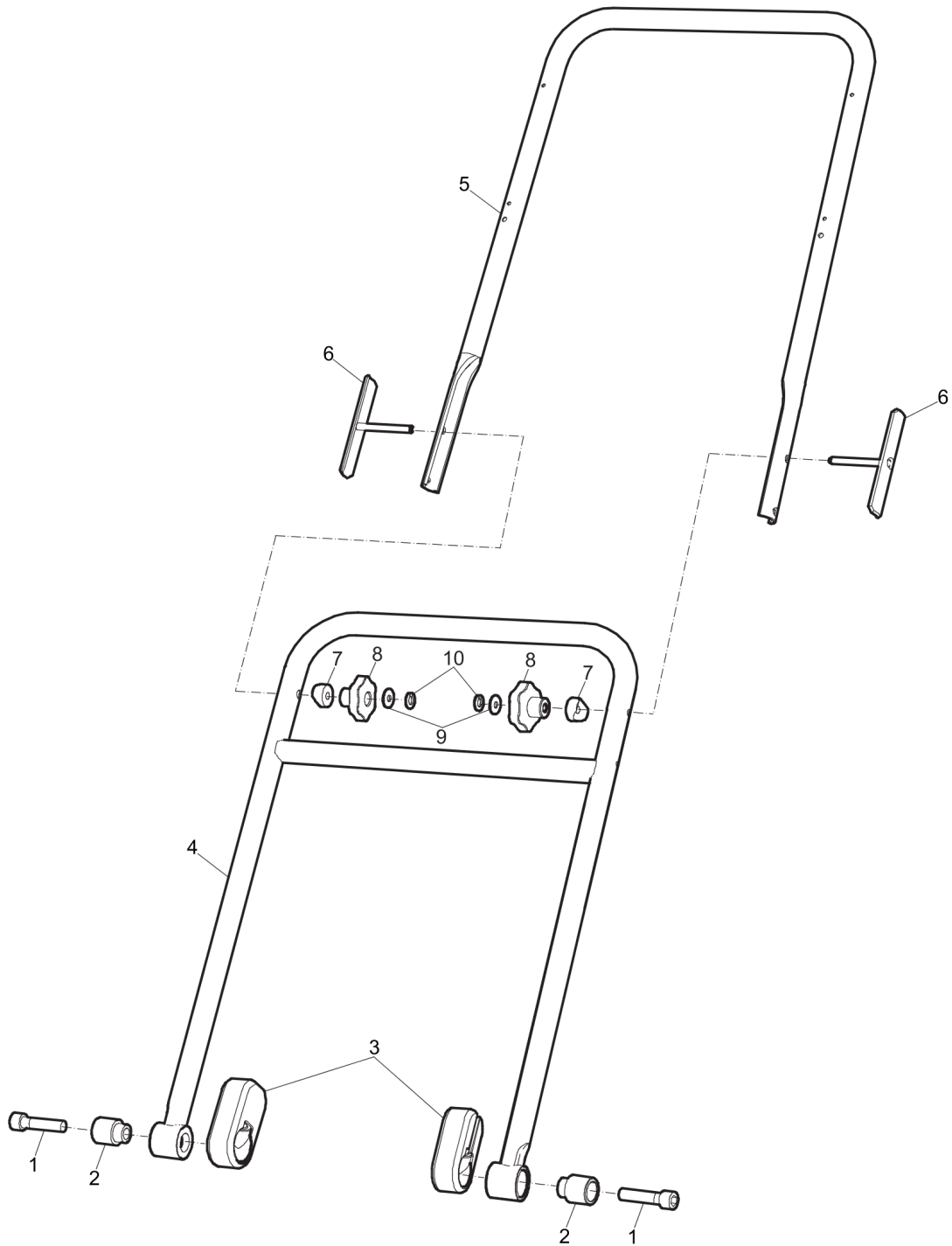
**Spare parts list** Standard handle for Honda and Hatz, old version





Item	Part No.	Name	Qty	L
1	594144001	Handle	1	
2	594144101	Handle	1	
3	594144201	Handle	1	
4	594482801	Link	2	
5	594484501	Cover	2	
6	594485201	Spacer sleeve	2	
7	594485301	Washer	2	
8	-	Screw, M6 x 40 mm A2K	6	
9	-	Lock nut, M8 -8 DIN 985	4	
10	-	Disc spring, 18 x 8.2 x 1 mm, 0.71 x 0.32 x 0.04 in.	4	
11	-	Screw, M12 x 50 mm 8.8 A3K	2	
12	594480301	Sleeve bearing	2	
13	594480401	Shock absorber	2	
14	-	Spirol pin, 5 x 25 mm, 0.20 x 0.98 in.	2	

**Spare parts list** Standard handle for Honda, new version



Refer to the Parts Online web page for most up-to-date information. The printed information might be outdated.

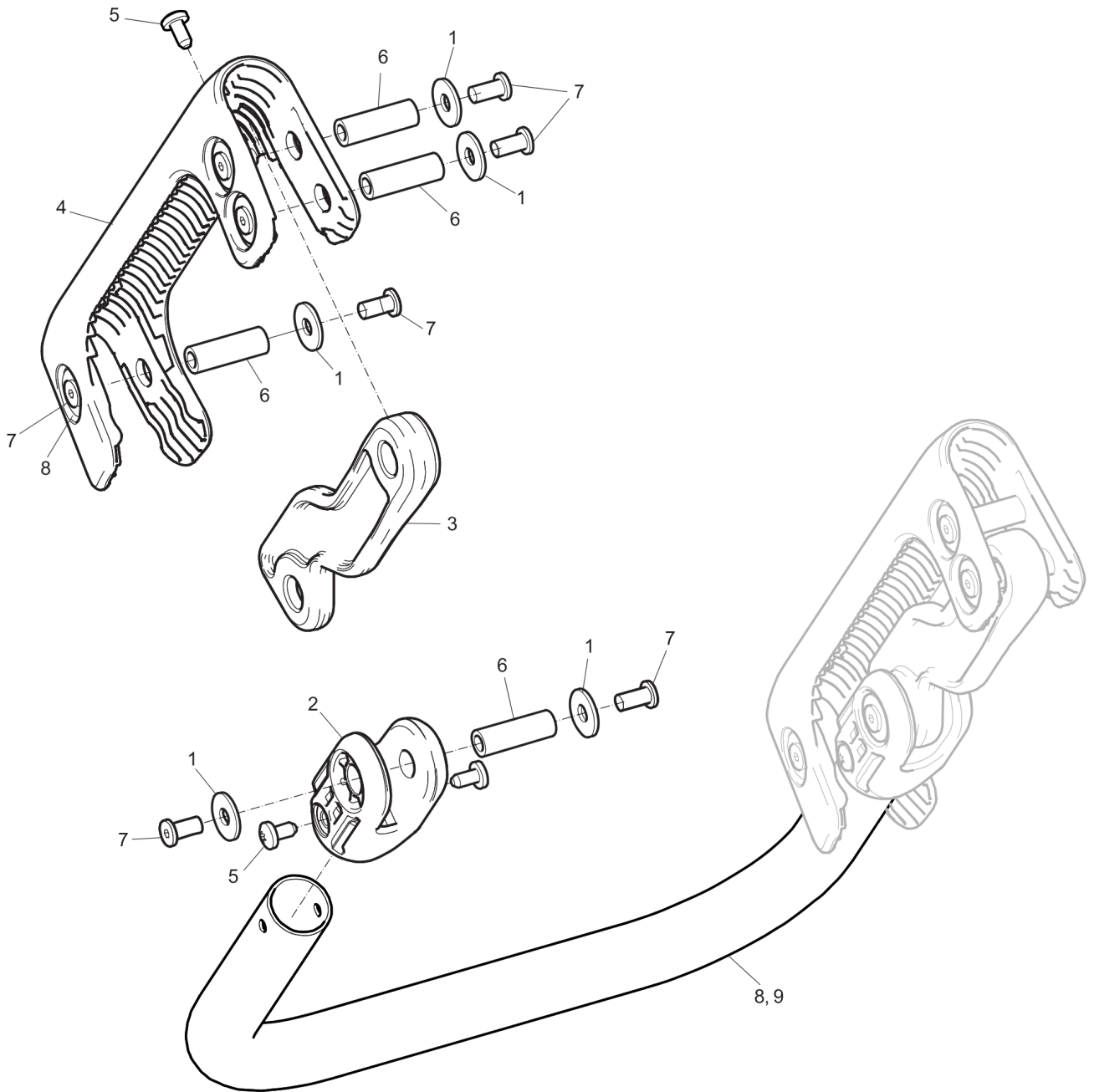
Item	Part No.	Name	Qty	L
1	595058101	Screw, M12 x 50 mm 8.8 A3K , See section "Handle, standard".	2	
2	594654701	Sleeve	2	
3	594480401	Shock absorber	2	
4	594654001	Handle	1	
5	594654101	Handle	1	A
6	594654401	Bracket	2	
7	594654201	Sleeve	2	
8	594654301	Knob	2	
9	595067101	Washer, 5,3x10x1 300HV	2	
10	594265501	Retainer ring, 4.8 x 7 x 0.6 mm, 0.18 x 0.26 x 0.02 in.	2	

Comments for Page: Standard handle for Honda, new version

(L)OCAL REMARKS

A | Upper

Spare parts list Vibration damped handle



Refer to the Parts Online web page for most up-to-date information. The printed information might be outdated.

Item	Part No.	Name	Qty	L
1	594526601	Washer, 6.4x18x1.6 mm A2T	16	
2	594482201	Bracket	2	
3	594480501	Shock absorber	2	
4	594482101	Bracket	2	
5	594525001	Screw, M5 x 10 mm A2K	8	
6	594524701	Jointing nut, M6 x 30 mm 8.8	8	
7	594526701	Screw, M6 x 12 mm 10.9 A2T	16	
8	594480601	Handle	1	A
9	594166301	Handle	1	B

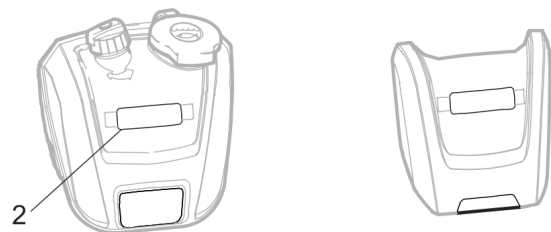
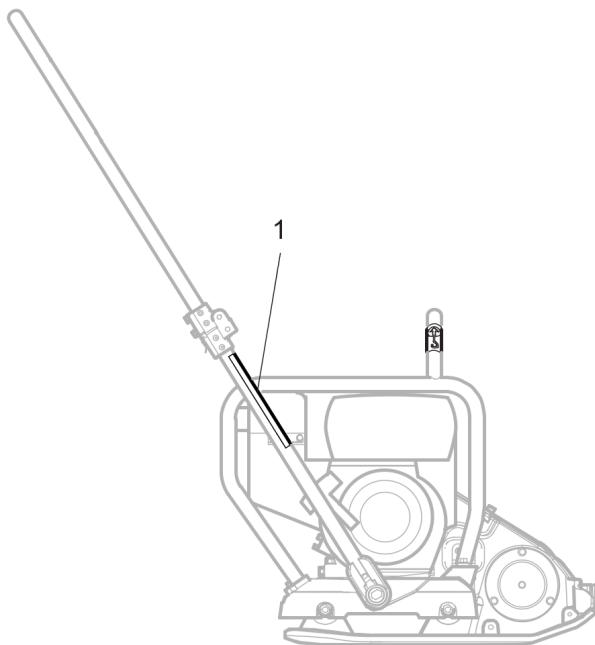
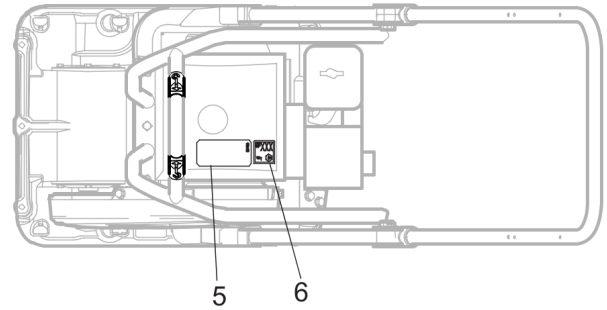
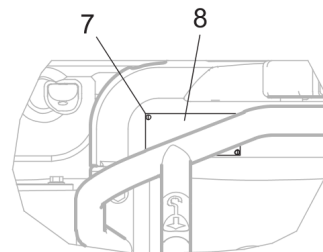
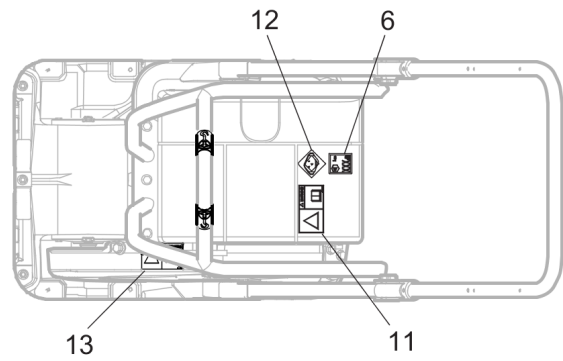
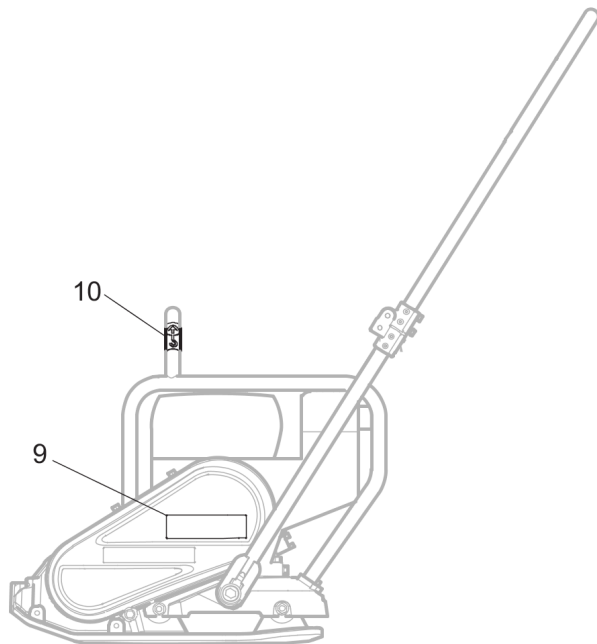
Comments for Page: Vibration damped handle

(L)OCAL REMARKS

A | Old version

B | New version, use together with new standard handles.

Spare parts list Labels



Item	Part No.	Name	Qty	L
1	594486201	Label, start instruction	1	
2	595376501	Product label	2	
5	594486301	Instruction label	1	
6	594515501	Label, sound power level	1	
7	-	Drive screw	4	
8	-	Data plate (Not available separately)	1	
9	595120501	Product label	1	
10	595051201	Label lifting point	1	
11	594535301	Safety label, read instruction manual	1	
12	594337101	Label, use ear protectors	1	
13	595065701	Safety label, rotating V-belts	1	

Any unauthorized use or copying of the contents or any part thereof is prohibited. This applies in particular to trademarks, model denominations, part numbers, and drawings.