

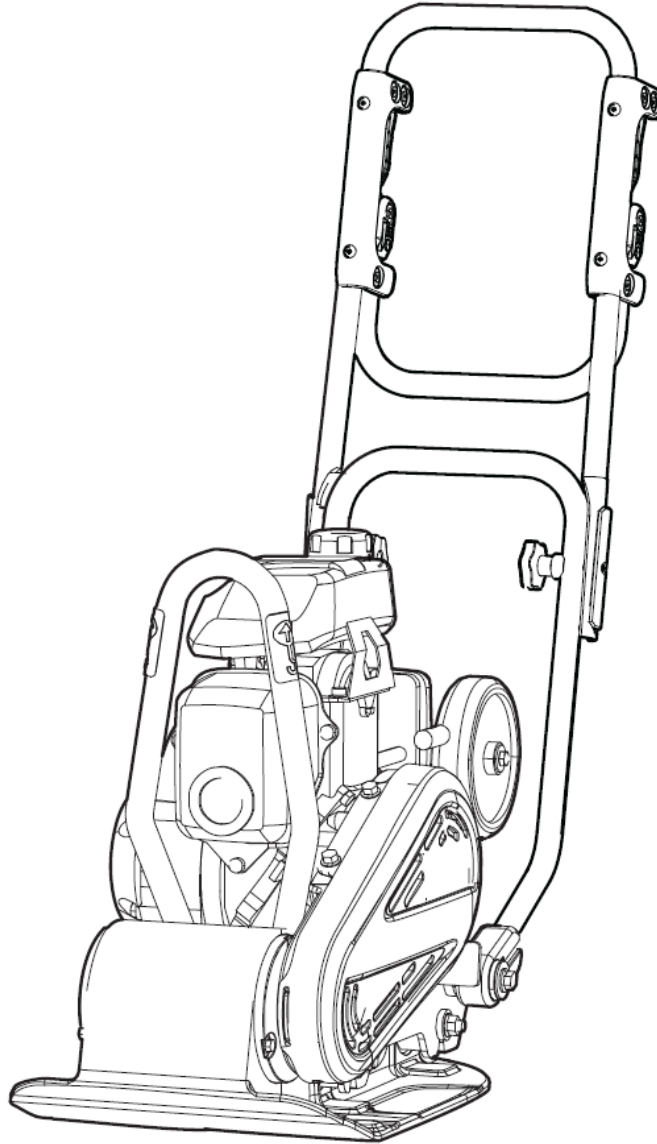
LF 50

Spare parts list

Forward plate

LF 50

Engine: Honda GX 100



General information

This spare parts list applies to the following:

Part number	Description
967854701	Forward plate LF 50 Honda L 320 mm (12.60 in.)

Use only authorized parts. Any damage or malfunction caused by the use of unauthorized parts is not covered by Warranty or Product Liability. Any unauthorized use or copying of the contents or any part thereof is prohibited. This applies in particular to trademarks, model denominations, part numbers, and drawings.

Instructions for use

This spare parts list contains no safety regulations and is merely intended to assist in the ordering of spare parts.

For information about operating, servicing, or repairing, the relevant Safety and operating instructions must be consulted at all costs.

Please observe the safety instructions listed in the relevant Safety and operating instructions!

Kits and consumables	1
Preventative Maintenance Kits	
Start Up Kit	3
12 months / 200 hours service kit	5
Service, repair and wear part kits	
Shock absorber repair kit	7
Eccentric element repair kit	9
Block paving kit	11
Transport device kit	13
Handle kit	15
Vibration damped handle kit	17
Refurbishment kit	
595387601_Gold Kit	19
595387501_Silver Kit	21
595386001_Cosmetic Kit	23
Spare parts list	
Engine plate installation, Honda	25
Ground plate installation	27
Block paving plate	29
Transport device	31
Engine installation, Honda	33
Engine, Honda GX 100 SE3 OH	35
Transmission cover, Honda	37
Standard handle, old version	39
Standard handle, new version	41
Vibration damped handle	43
Labels	45

Kits and consumables

Service offers resume LX50	Item	Number	Description
Lubricants	1		Can Paroil E Mission Green 5 Liter/1.32 Gallon
	2		Can Paroil E Mission Green 20 Liter/5.3 Gallon
	3		Can Paroil E Mission Green 210 Liter/55.5 Gallon
Preventive maintenance	4	594194001	One year service kit
Rebuild&Overhaul kits	5	594205101	Vibration damped handle kit
	6	594205201	Handle kit
Wear & Repair kits	7	594194301	Eccentric element repair kit
	8	594194501	Shock absorber repair kit

Item	Part No.	Name	Qty	L
1	-	Drum Paroil Mission green 210 Liter/55.5 Gallon	1	
2	-	Can Paroil Mission green 20 Liter/5.3 Gallon	1	
3	-	Drum Paroil Mission green 210 Liter/55.5 Gallon	1	
4	594194001	One year service kit	1	
5	594205101	Vibration damped handle kit	1	
6	594205201	Handle kit	1	
7	594194301	Eccentric element repair kit	1	
8	594194501	Shock absorber repair kit	1	

Preventative Maintenance Kits Start Up Kit

NO EXPLODED VIEW
AVAILABLE
FOR THIS BOM

Item	Part No.	Name	Qty	L
1	594214201	Start Up Kit	1	
2	594215701	200 Hours Service Kit / 12 Months Service Kit	1	
3	594585001	Air filter, outer	1	
4	594584901	Air filter element	1	
5	594186901	V-belt	1	
6	594584901	Air filter element	1	

Preventative Maintenance Kits 12 months / 200 hours service kit

NO EXPLODED VIEW
AVAILABLE
FOR THIS BOM

Item	Part No.	Name	Qty	L
1	594215701	200 Hours Service Kit / 12 Months Service Kit	1	
2	594585001	Air filter, outer	1	
3	594584901	Air filter element	1	
4	594186901	V-belt	1	

Service, repair and wear part kits Shock absorber repair kit

NO EXPLODED VIEW
AVAILABLE
FOR THIS BOM

Item	Part No.	Name	Qty	L
1	594194501	Shock absorber repair kit	1	
2	594525901	Shock absorber	4	A
3	-	Washer, 10.5 x 28 x 6 mm, 0.41 x 1.10 x 0.24 in. 300 HV , See section "Ground plate installation".	4	
4	-	Nut, M10 A3K, See section "Ground plate installation".	8	
5	594480401	Shock absorber	2	B
6	-	Washer, 11 x 35 x 2 mm, 0.43 x 1.38 x 0.08 in, See section "Handle, standard".	2	
7	-	Screw, M10 x 70 mm 8.8 A3K , See section "Handle, standard".	2	

Comments for Page: Shock absorber repair kit

(L)OCAL REMARKS

A | For ground plate

B | For handle

Service, repair and wear part kits Eccentric element repair kit

NO EXPLODED VIEW
AVAILABLE
FOR THIS BOM

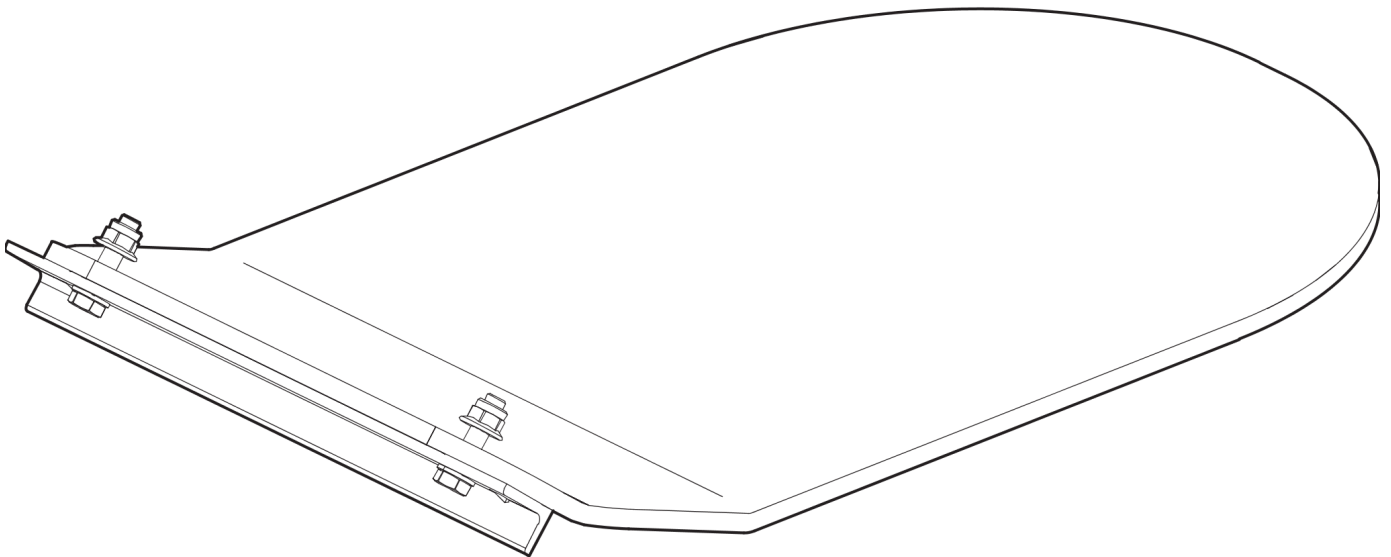
Item	Part No.	Name	Qty	L
1	594194301	Eccentric element repair kit	1	
2	-	Screw, M8 x 25 mm 8.8 A2K, See section "Ground plate installation".	1	
3	-	Washer, 8.4 x 22 x 3 mm, 0.33 x 0.87 x 0.12 in. HV300, See section "Ground plate installation".	1	
4	595048001	Lip-type oil seal	1	A
5	-	Screw, M6 x 16 mm 8.8 A2K, See section "Ground plate installation".	6	
6	594526001	Ball bearing	2	A

Comments for Page: Eccentric element repair kit

(L)OCAL REMARKS

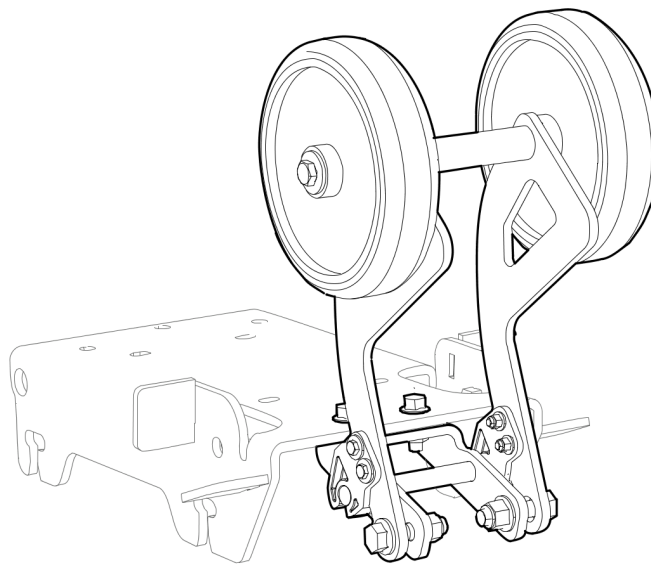
A | See section "Ground plate installation".

Service, repair and wear part kits Block paving kit



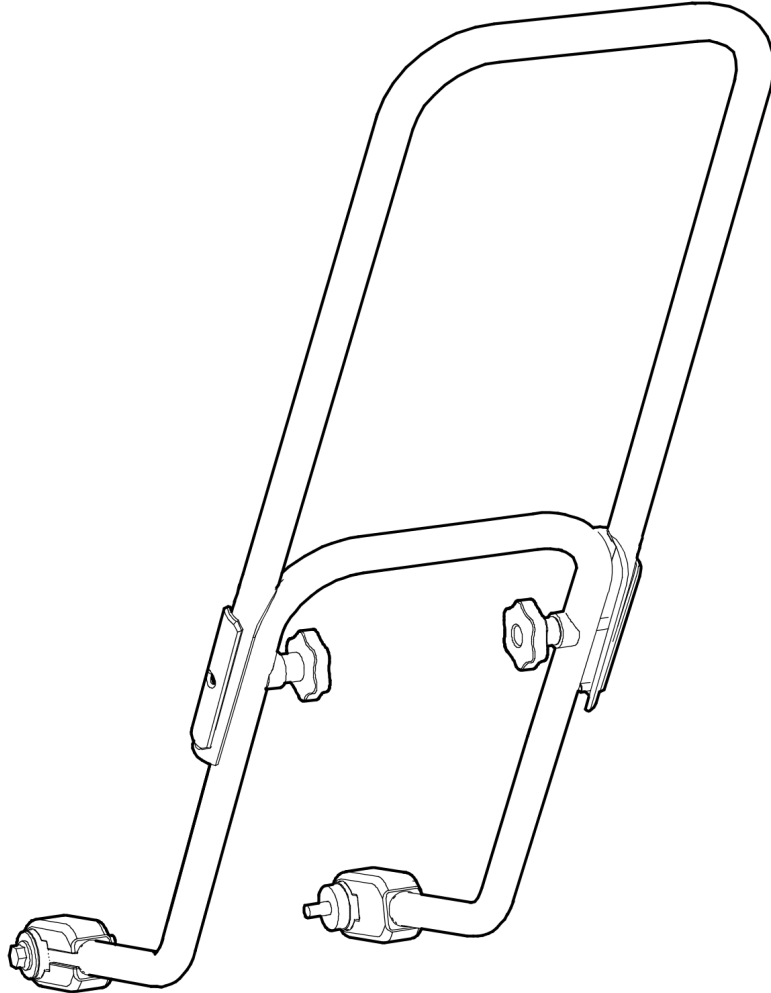
Item	Part No.	Name	Qty	L
1	594757201	Block paving kit	1	
Not Shown	-	Block paving plate	1	
Not Shown	-	Lock nut, M8	2	
Not Shown	-	Bracket	1	
Not Shown	-	Seal washer	2	
Not Shown	-	Hex. socket screw	2	

Service, repair and wear part kits Transport device kit



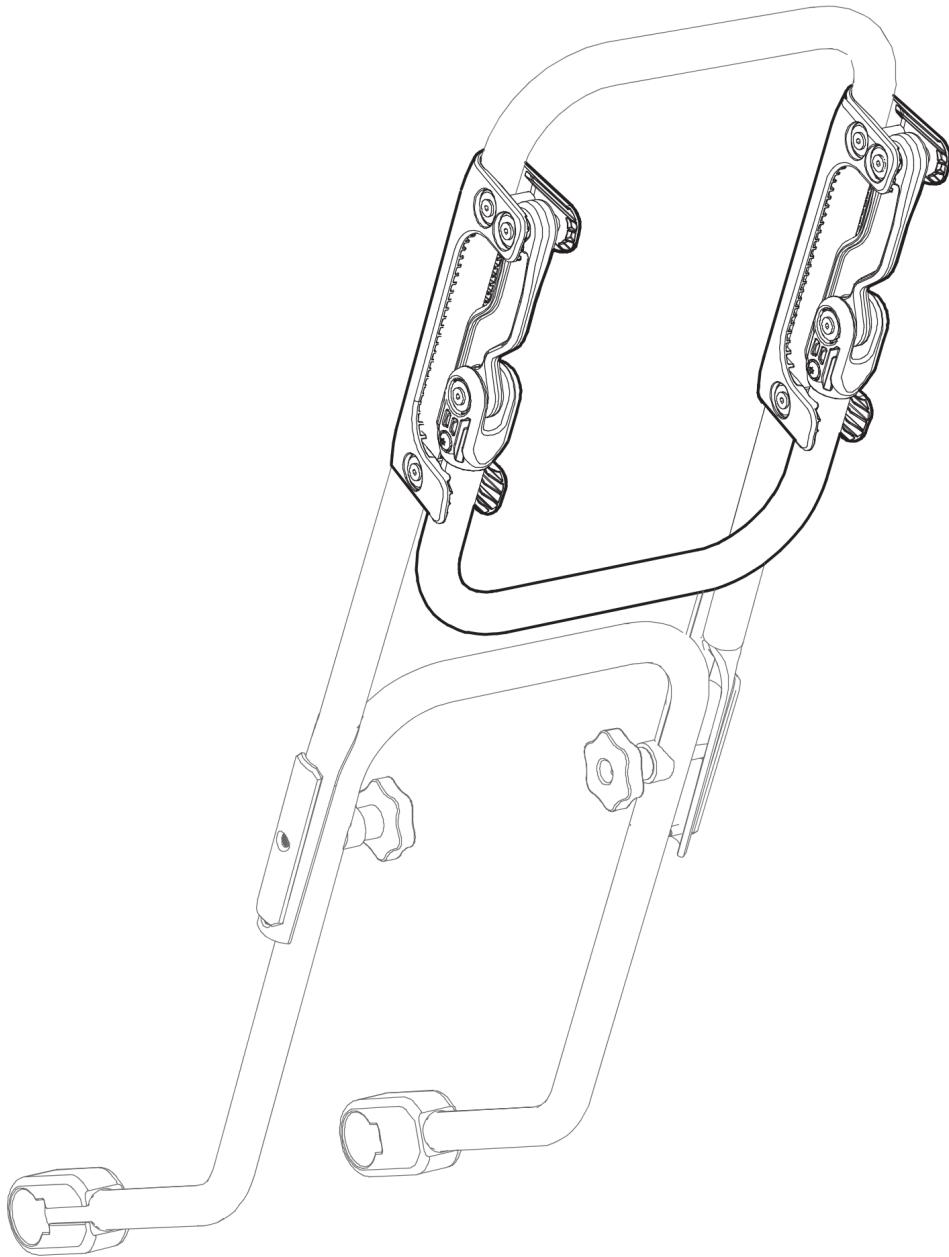
Item	Part No.	Name	Qty	L
1	595120701	Transport device kit	1	
Not Shown	-	Wheel bracket	1	
Not Shown	-	Nut, M10 x 1.5 mm A3K	2	
Not Shown	-	Screw, M10 x 40 mm 8.8 A3K	2	
Not Shown	-	Screw, M8 x 25 mm 8.8 A2K	2	
Not Shown	-	Bracket	1	
Not Shown	-	Wheel	2	
Not Shown	-	Clip	2	
Not Shown	-	Nut, M5 A2K	4	
Not Shown	-	Screw, M5 x 25 mm 8.8 A2K	4	
Not Shown	-	Washer, 8.4 x 25 x 2 mm, 0.33 x 0.98 x 0.08 in.	4	
Not Shown	-	Washer, 8.4 x 25 x 2 mm, 0.33 x 0.98 x 0.08 in.	2	
Not Shown	-	Screw, M8 x 12 mm 8.8 A2K	2	

Service, repair and wear part kits Handle kit



Item	Part No.	Name	Qty	L
1	594205201	Handle kit	1	
Not Shown	-	Handle, upper	1	
Not Shown	-	Handle, lower	1	
Not Shown	-	Bracket	2	
Not Shown	-	Knob	2	
Not Shown	-	Screw, M10 x 70 mm 8.8	2	
Not Shown	-	Washer, 35 x 11 x 2 mm, 1.38 x 0.43 x 0.08 in.	2	
Not Shown	-	Sleeve	2	
Not Shown	-	Shock absorber	2	
Not Shown	-	Sleeve	2	
Not Shown	-	Retainer ring	2	
Not Shown	-	Washer, 5.3 x 10 x 1, 0.21 x 0.39 x 0.04 in.	2	

Service, repair and wear part kits Vibration damped handle kit



Item	Part No.	Name	Qty	L
1	594205101	Vibration damped handle kit	1	
Not Shown	-	Handle	1	
Not Shown	-	Bracket	2	
Not Shown	-	Shock absorber	2	
Not Shown	-	Bracket	2	
Not Shown	-	Screw, M5 x 10 mm A2K	8	
Not Shown	-	Nut, M6 x 30 mm	8	
Not Shown	-	Screw, M6 x 12 mm 10.9 A2T	16	
Not Shown	-	Washer, 6.4 x 18 x 1.6 mm, 0.25 x 0.71 x 0.06 in. A2T	16	
Not Shown	-	Bracket	2	

Refurbishment kit 595387601_Gold Kit

Item	Number	Description	QTY
1	595387601	Gold Kit LF 50	
Ground Plate and Eccentric System			
3	Eccentric System	Eccentric Element Repair Kit	1
4		V-Belt Pulley	1
5		Screw	6
6		Lock Washer	6
7		Shock absorber repair kit	1
Cosmetic Kit LF 50			
9	Covers	Belt guard, outer	1
10		Screw	3
11		Washer	3
12		Screw	1
13		Lock Spring	1
14		Screw	1
15		Screw	2
16		Nut	1
17	Handle System	Handle Kit	1
18	Labeling	Product Label Kit	1
Engine			
20	Service Kit	Yearly service kit	1

Item	Part No.	Name	Qty	L
1	595387601	Gold Kit LF 50	1	
-	--	Ground Plate and Eccentric System	1	
3	-	Eccentric Element Repair Kit	1	
4	-	V-Belt Pulley	1	
5	-	Screw din933	6	
6	-	Lock Washer	6	
7	-	Shock absorber repair kit	1	
-	--	Cosmetic Kit LF 50	1	
9	-	Belt guard, outer	1	
10	-	Screw, M8 x 25 mm 8.8 A2K	3	
11	-	Washer	3	
12	-	Screw, M8 x 25 mm 8.8 A2K	1	
13	-	Lock Spring	1	
14	-	Screw, M8x25mm 8.8 A2K	1	
15	-	Screw, M8x20 mm 8.8 A2K	2	
16	-	Nut, M8 x 1.25 mm A2K	1	
17	-	Handle Kit	1	
18	-	Product Label Kit	1	
-	--	Engine	1	
20	-	200 Hours Service Kit / 12 Months Service Kit	1	

Refurbishment kit 595387501_Silver Kit

Item	Number	Description	QTY
1	595387501	Silver Kit	1
2	595387201	Ground Plate and Eccentric System	1
3	Eccentric System	Eccentric Element Repair Kit	1
4		V-Belt Pulley	1
5		Screw	6
6		Lock Washer	6
7		Shock absorber repair kit	1
8	-	Engine and Transmission	1
9	Service Kit	Yearly service kit	1

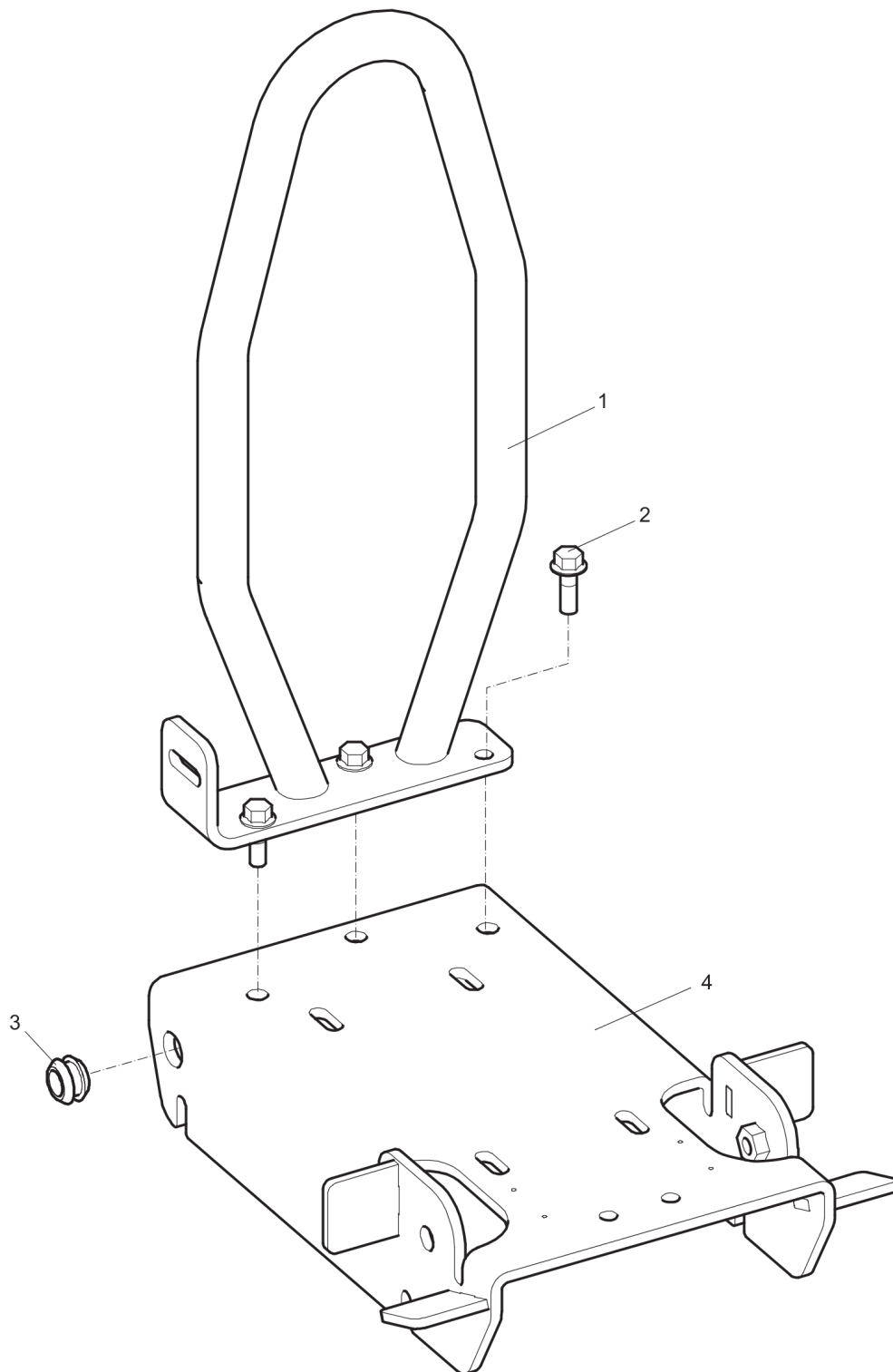
Item	Part No.	Name	Qty	L
1	595387501	Silver Kit	1	
2	595387201	Ground Plate and Eccentric System	1	
3	594194301	Eccentric element repair kit	1	
4	594486701	V-belt pulley	1	
5	595033201	Hex. head screw	6	
6	594124601	Lock washer	6	
7	594194501	Shock absorber repair kit	1	
8	-	Engine and Transmission	1	
9	594215701	200 Hours Service Kit / 12 Months Service Kit	1	

Refurbishment kit 595386001_Cosmetic Kit

Item	Number	Description	QTY
1	595386001	Cosmetic Kit	1
2	Covers	Belt guard, outer	1
3		Screw	3
4		Washer	3
5		Screw	1
6		Lock spring	1
7		Screw	1
8		Screw,	2
9		Nut,	1
10		Handle System	Handle kit
11	Labeling	Product Label Kit	1

Item	Part No.	Name	Qty	L
1	595386001	Cosmetic Kit LF 50	1	
2	594960601	Belt guard, outer	1	
3	595466601	Screw, M8x30 mm 8.8 A2K	3	
4	594647801	Washer	3	
5	594648001	Screw, M8 x 25 mm 8.8 A2K	1	
6	594650201	Lock spring	1	
7	595185701	Screw, M8x25mm 8.8 A2K	1	
8	595179401	Screw, M8x20 mm 8.8 A2K	2	
9	595065501	Nut, M8 x 1.25 mm A2K	1	
10	594205201	Handle kit	1	
11	594762001	Product Label Kit	1	

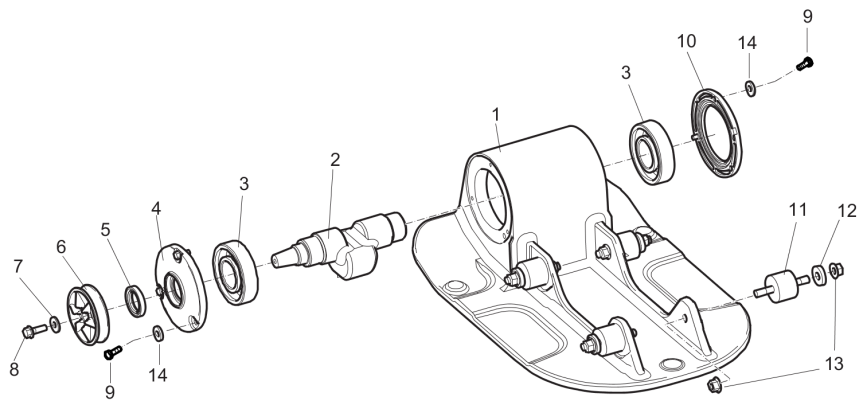
Spare parts list Engine plate installation, Honda



Refer to the Parts Online web page for most up-to-date information. The printed information might be outdated.

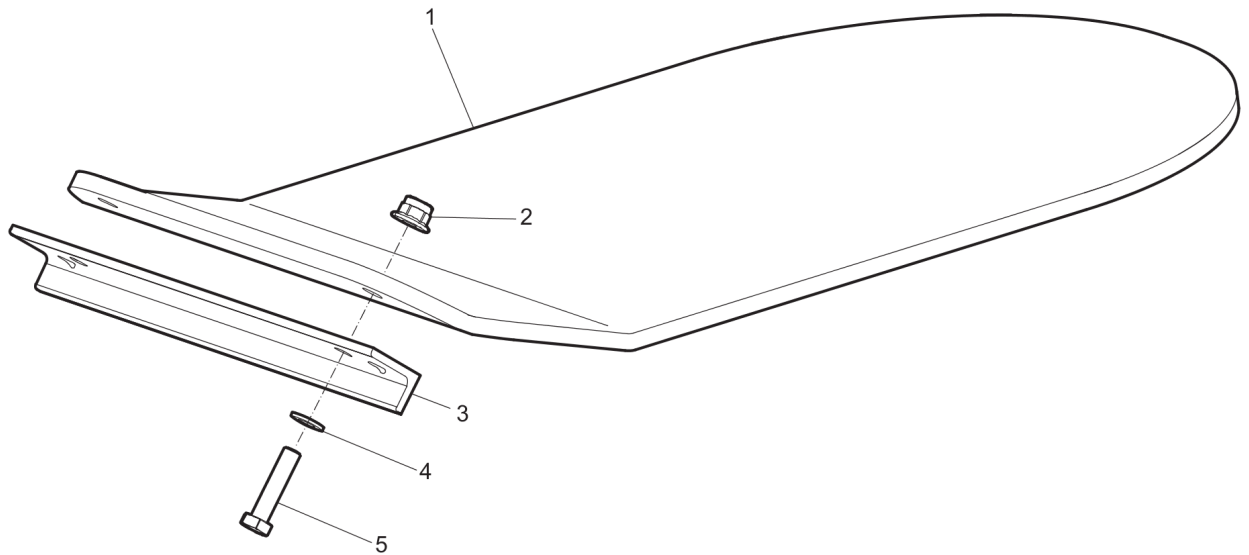
Item	Part No.	Name	Qty	L
1	594144801	Lifting eye	1	
2	-	Screw, M8 x 20 mm 8.8 A2K	3	
3	595188101	Grommet	2	
4	595119701	Engine plate	1	

Spare parts list Ground plate installation



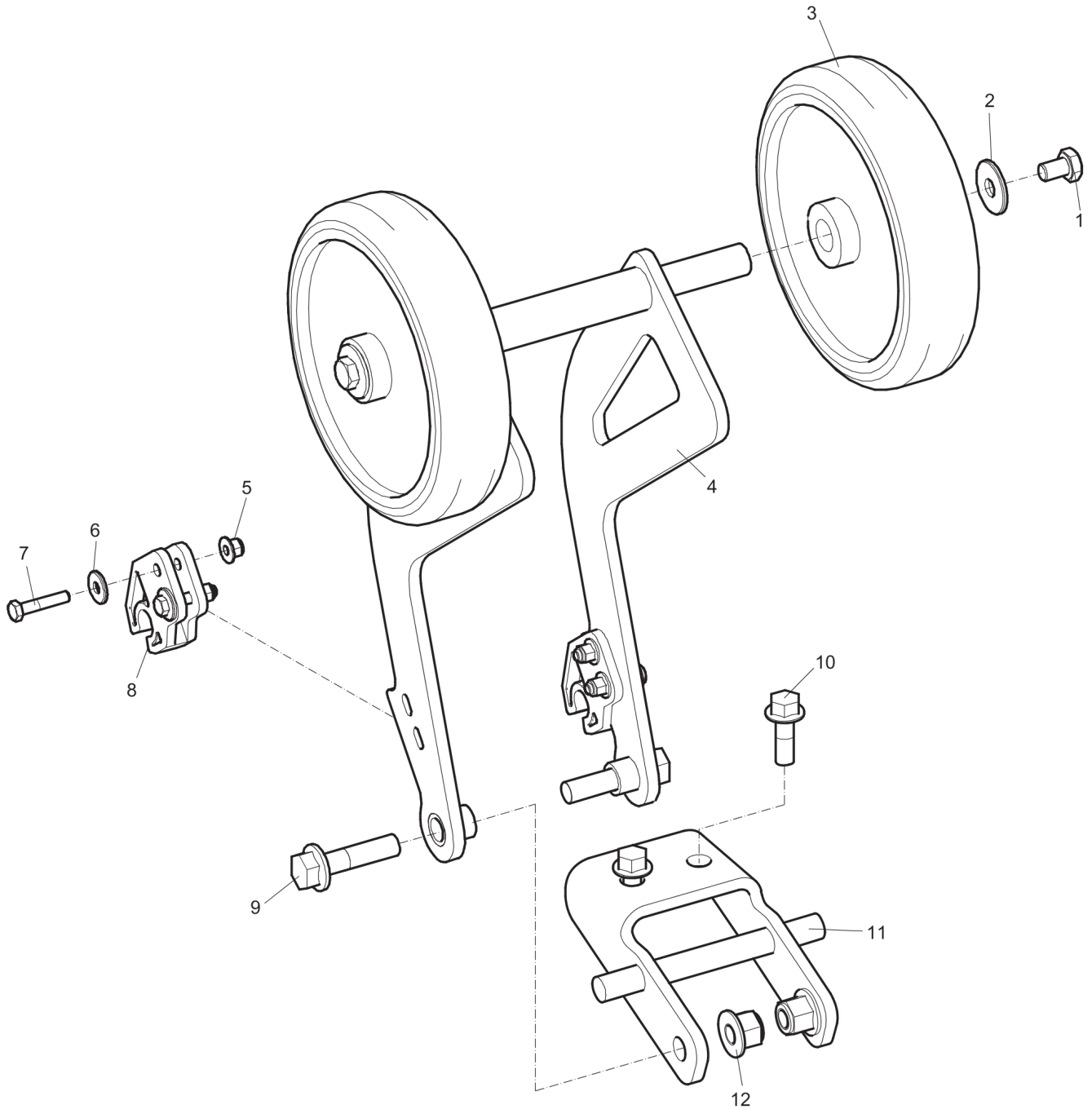
Item	Part No.	Name	Qty	L
1	594145901	Ground plate	1	
2	594480701	Eccentric shaft	1	
3	594526001	Ball bearing	2	
4	594490101	Cover	1	
5	594128301	Lip-type oil seal	1	
6	594486701	V-belt pulley	1	
7	594123401	Washer, 8.4 x 16 x 1.5 mm, 0.33 x 0.63 x 0.06 in. 300 HV	1	
8	594120001	Screw, M8 x 25 mm 8.8 A2K	1	
9	595033201	Hex. head screw	6	
10	594490201	Cover	1	
11	594525901	Shock absorber	4	
12	-	Washer, 10.5 x 28 x 6 mm, 0.41 x 1.10 x 0.24 in.	4	
13	595181201	Nut, M10 x 1.5 mm GEOMET®	8	
14	594124601	Lock washer	6	

Spare parts list Block paving plate



Item	Part No.	Name	Qty	L
1	595127601	Block paving plate	1	
2	594123001	Flange lock nut	2	
3	594181801	Bracket	1	
4	595036601	Washer DIN125	2	
5	595110201	Hexagon bolt	2	

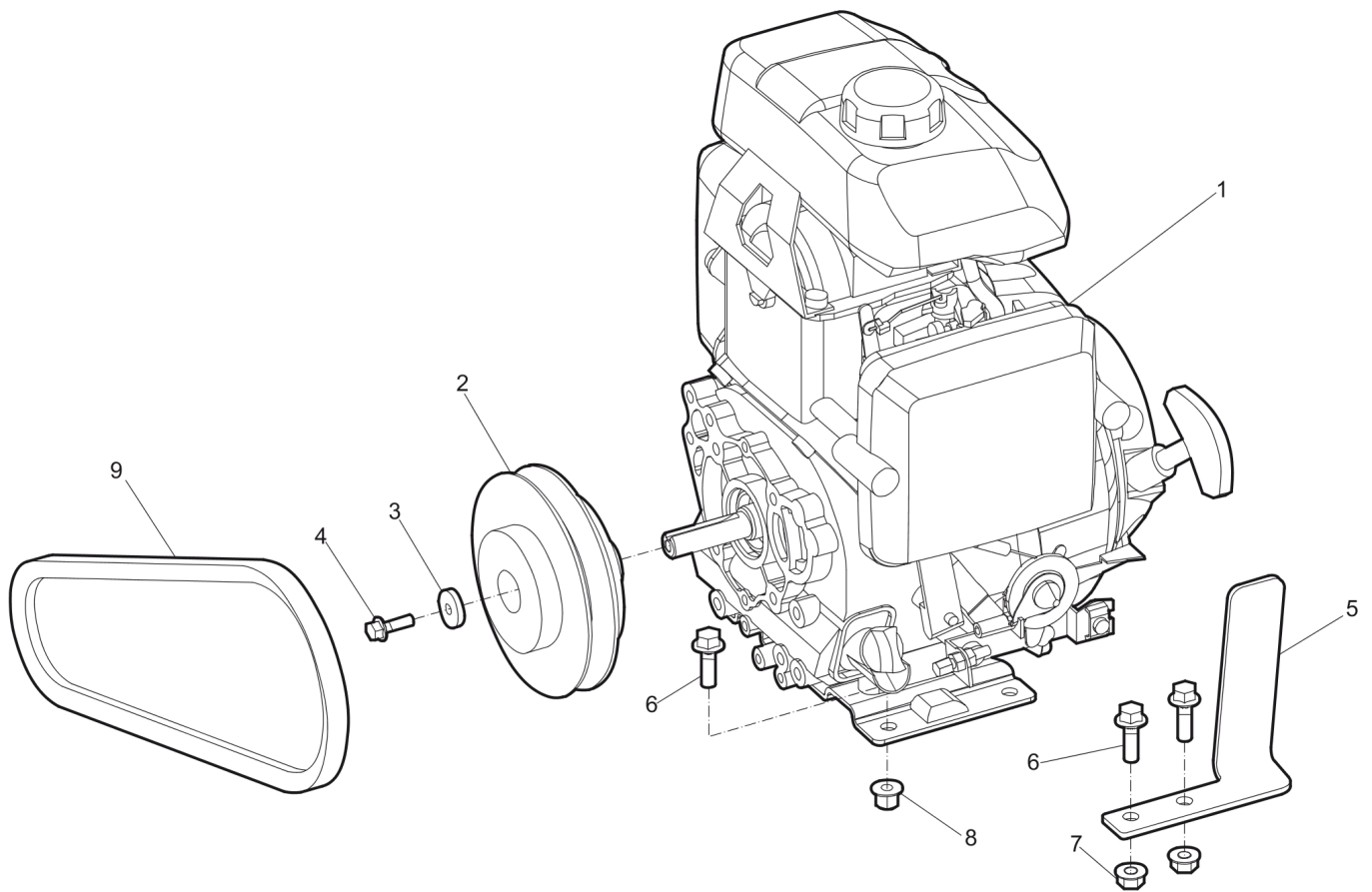
Spare parts list Transport device



Refer to the Parts Online web page for most up-to-date information. The printed information might be outdated.

Item	Part No.	Name	Qty	L
1	-	Screw, M8 x 12 mm 8.8 A2K	2	
2	-	Washer, 8.4 x 25 x 2 mm, 0.33 x 0.98 x 0.08 in.	2	
3	594455501	Wheel	2	
4	595121001	Bracket	1	
5	595064401	Nut M5	4	
6	-	Washer, 8.4 x 25 x 2 mm, 0.33 x 0.98 x 0.08 in.	4	
7	-	Screw, M5 x 25 mm 8.8 A2K	4	
8	-	Clip	2	
9	-	Screw with flange, M10 x 40 mm 8.8 A3K	2	
10	-	Screw, M8 x 25 mm 8.8 A2K	2	
11	595120901	Bracket	1	
12	-	Nut, M10 x 1.5 mm A3K	2	

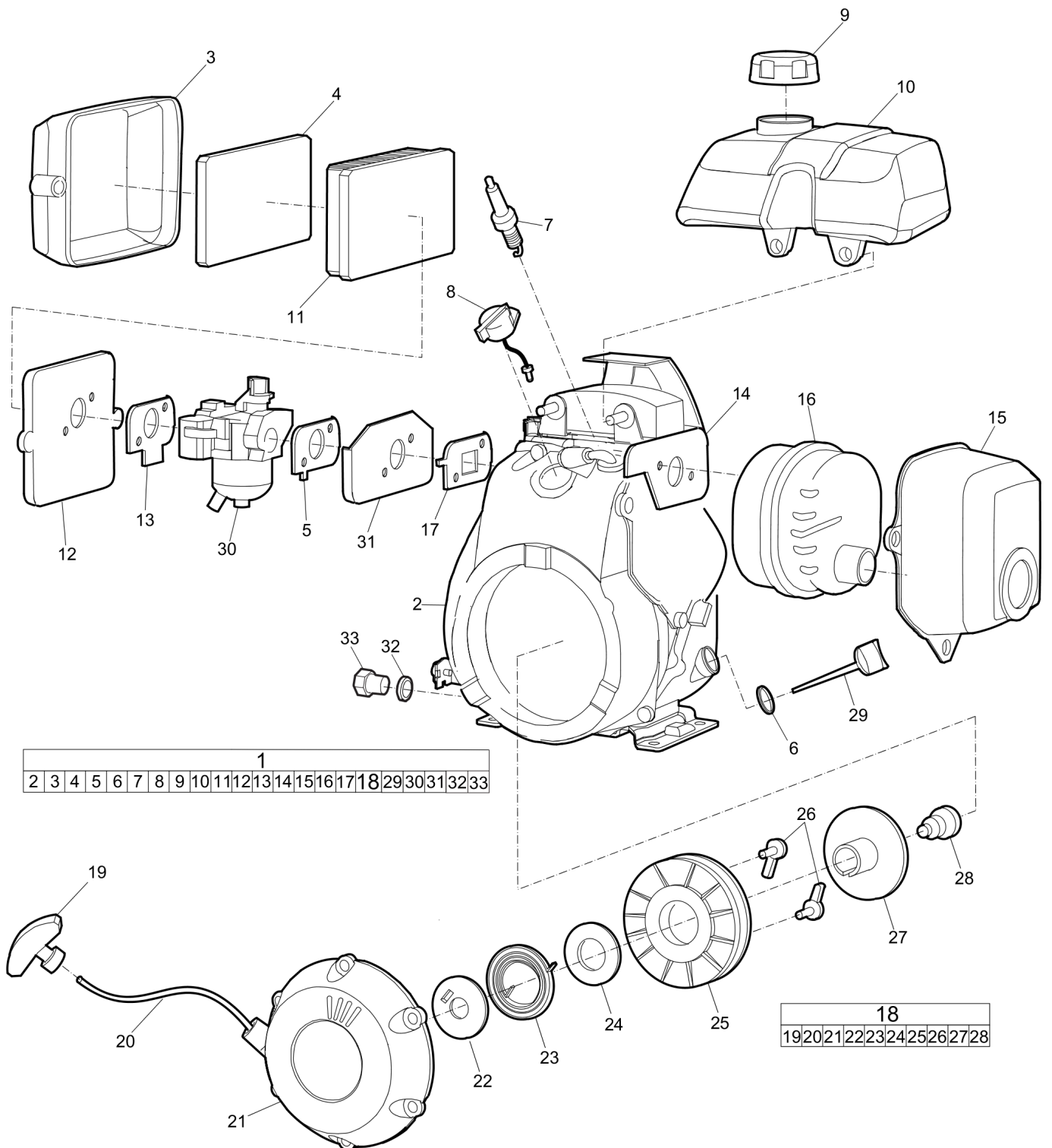
Spare parts list Engine installation, Honda



Refer to the Parts Online web page for most up-to-date information. The printed information might be outdated.

Item	Part No.	Name	Qty	L
1	594473001	Engine, complete Honda GX100UT SE3 SD	1	
2	594481001	Centrifugal clutch, cpl	1	
3	-	Washer, 6.4 x 22 x 4 mm, 0.25 x 0.87 x 0.16 in.	1	
4	-	Screw, M6 x 20 mm 8.8 A2K	1	
5	595177501	Protective plate	1	
6	-	Screw, M8 x 25 mm 8.8 A2K	6	
7	-	Nut, M8 x 1.25 mm A2K	2	
8	-	Lock nut, M8 x 1.25 mm A2K	4	
9	594186901	V-belt	1	

Spare parts list Engine, Honda GX 100 SE3 OH

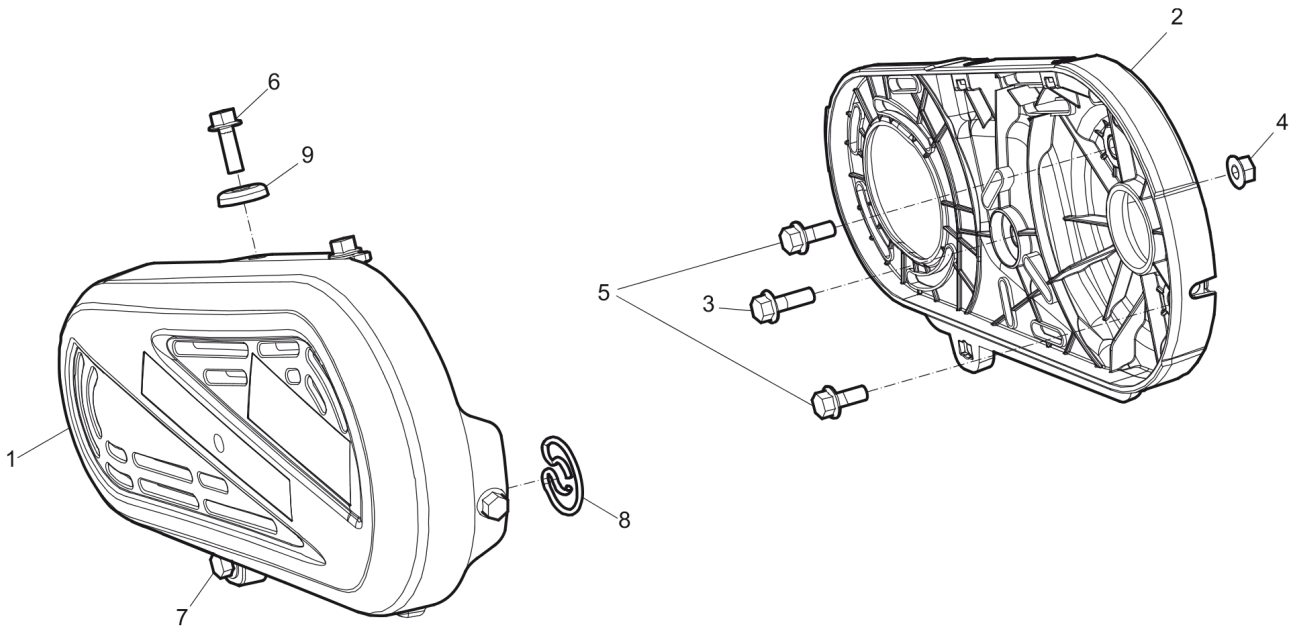


Refer to the Parts Online web page for most up-to-date information. The printed information might be outdated.

Item	Part No.	Name	Qty	L
1	594473001	Engine, complete Honda GX100UT SE3 SD	1	
2	--	Engine	1	
3	594585901	Cover	1	
4	594585001	Air filter, outer	1	
5	594582801	Gasket	1	
6	594583301	Packing, oil filler cap	1	
7	594585101	Spark plug	1	
8	594600801	Insulator, carburetor	1	
9	594596401	Fuel cap	1	
10	594596301	Fuel tank	1	
11	594584901	Air filter element	1	
12	594599701	Air filter house	1	
13	594603701	Gasket	1	
14	595471601	Gasket	1	
15	594202101	Cover	1	
16	594849301	Muffler	1	
17	594606801	Gasket	1	
18	594202201	Recoil starter (black), complete	1	
19	594585801	Grip	1	
20	594596501	Rope	1	
21	594760901	Case comp., recoil starter *nh1*	1	
22	595380401	Plate	1	
23	594303901	Spring	1	
24	595380501	Washer	1	
25	594202301	Reel, recoil starter	1	
26	594583501	Ratchet	2	
27	595192201	Guide	1	
28	594304501	Screw	1	
29	594586101	Cap assy., oil filler	1	
30	594596201	Carburettor	1	
31	594599401	Insulator	1	
32	595048901	Oil plug gasket	1	
33	594303901	Spring	1	

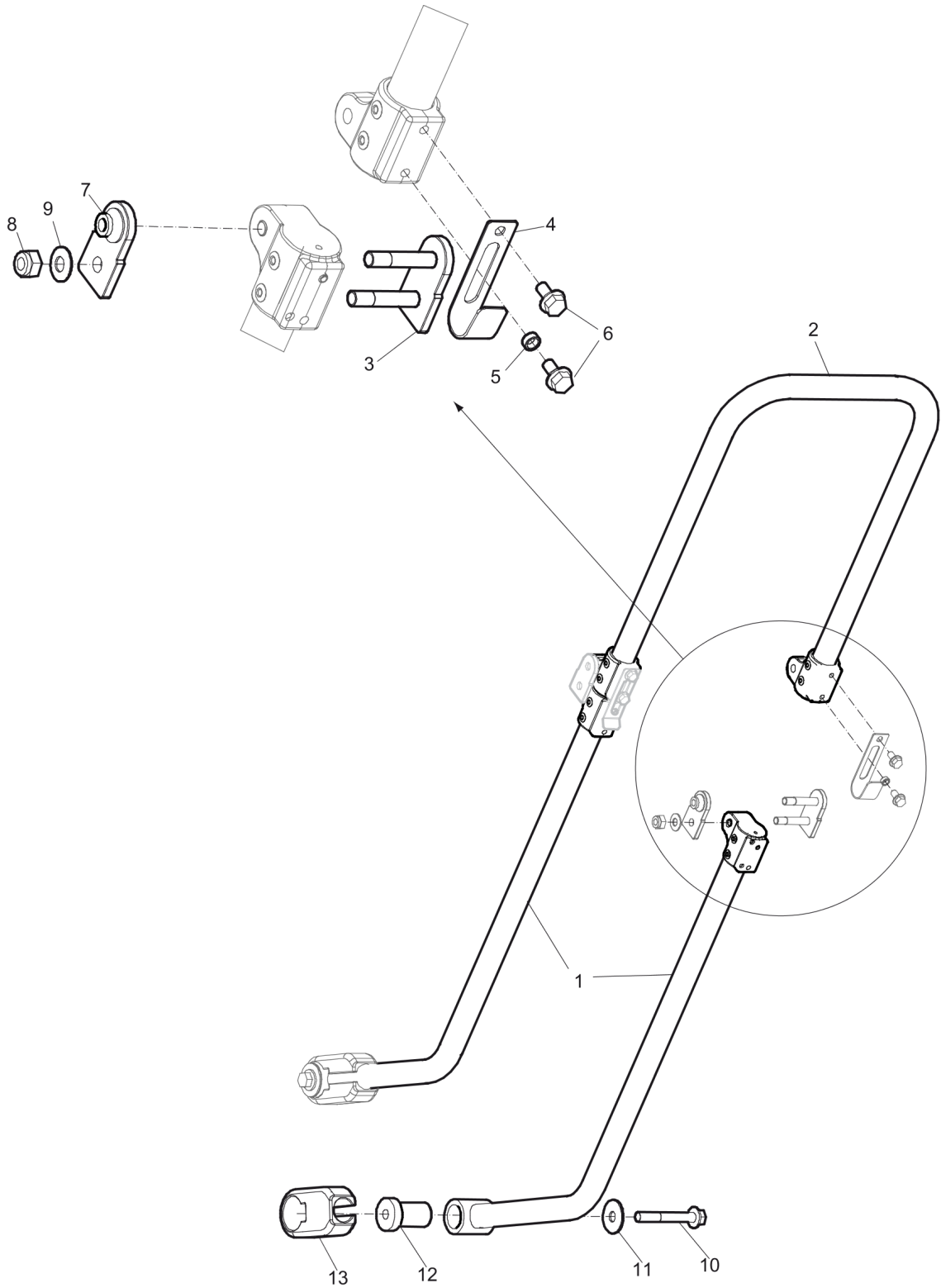
Refer to the Parts Online web page for most up-to-date information. The printed information might be outdated.

Spare parts list Transmission cover, Honda



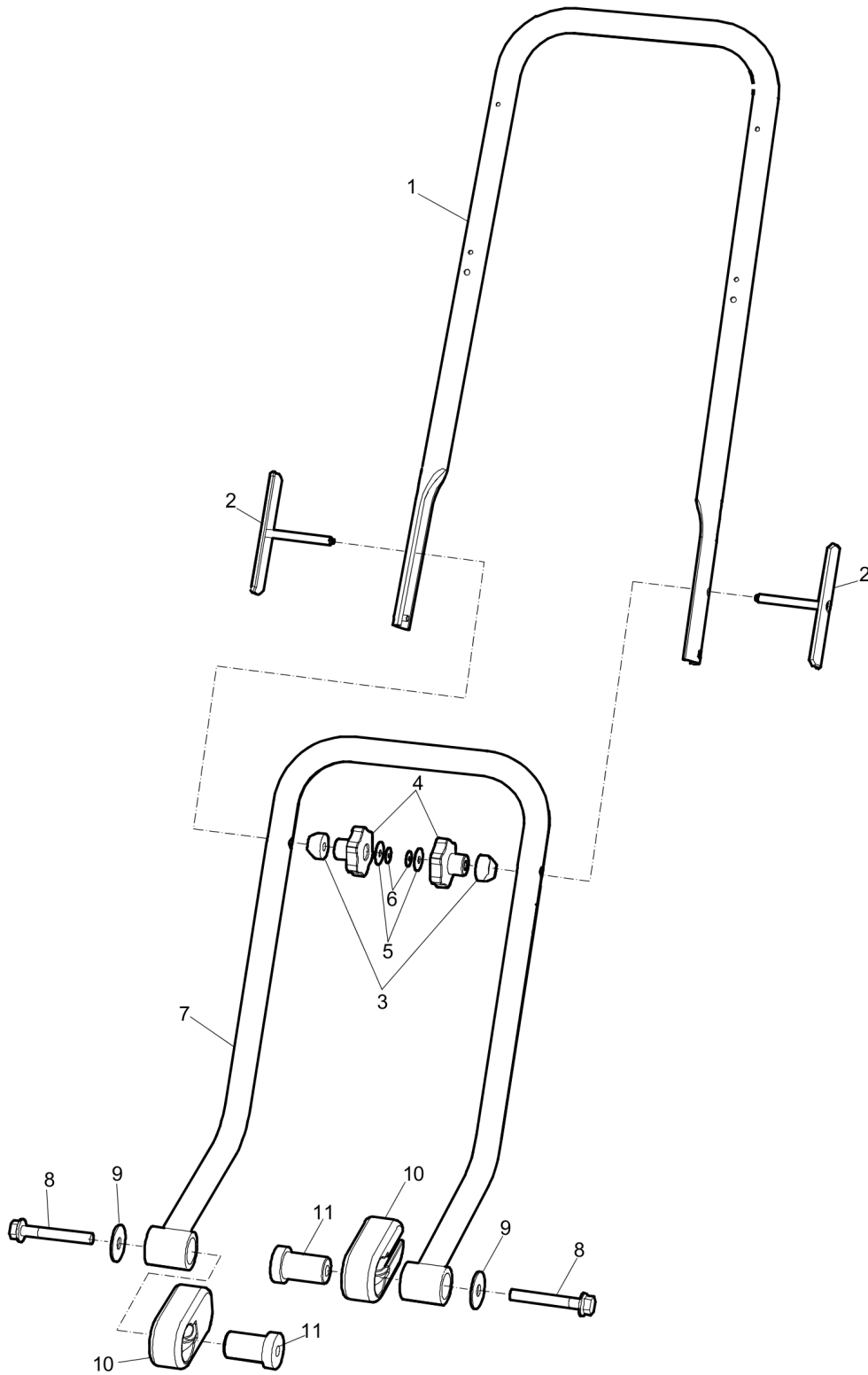
Item	Part No.	Name	Qty	L
1	594960601	Belt guard, outer	1	
2	594484301	Blet guard, inner	1	
3	-	Screw, M8 x 25 mm 8.8 A2K	1	
4	-	Nut, M8 x 1.25 mm A2K	1	
5	-	Screw, M8 x 20 mm 8.8 A2K	2	
6	-	Screw, M8 x 30 mm 8.8 A2K	3	
7	594648001	Screw, M8 x 25 mm 8.8 A2K	1	
8	594650201	Lock spring	1	
9	594647801	Washer	3	

Spare parts list Standard handle, old version



Item	Part No.	Name	Qty	L
1	594144301	Handle, lower part	2	
2	594144401	Handle, upper part	1	
3	594482801	Link	2	
4	594484501	Cover	2	
5	594485201	Spacer sleeve	2	
6	-	Screw, M6 x 10 mm A2K	4	
7	594485301	Washer	2	
8	-	Lock nut, M8 -8 DIN985	4	
9	-	Disc spring, 18 x 8.2 x 1 mm, 0.71 x 0.32 x 0.04 in.	4	
10	-	Screw, M10 x 70 mm 8.8 A3K	2	
11	-	Washer, 11 x 35 x 2 mm , 0.43 x 1.37 x 0.08 in.	2	
12	594481201	Sleeve bearing	2	
13	594480401	Shock absorber	2	

Spare parts list Standard handle, new version



Refer to the Parts Online web page for most up-to-date information. The printed information might be outdated.

Item	Part No.	Name	Qty	L
1	594168801	Handle	1	A
2	594654401	Bracket	2	
3	594654201	Sleeve	2	
4	594654301	Knob	2	
5	-	Washer, 5.3 x 10 x 1, 0.21 x 0.39 x 0.04 in.	2	
6	-	Retainer ring, 4.8 x 7 x 0.6 mm, 0.18 x 0.26 x 0.02 in.	2	
7	594168901	Handle	1	B
8	-	Screw, M10 x 70 mm 8.8	2	
9	-	Washer, 35 x 11 x 2 mm, 1.38 x 0.43 x 0.08 in.	2	
10	594480401	Shock absorber	2	
11	594481201	Sleeve bearing	2	

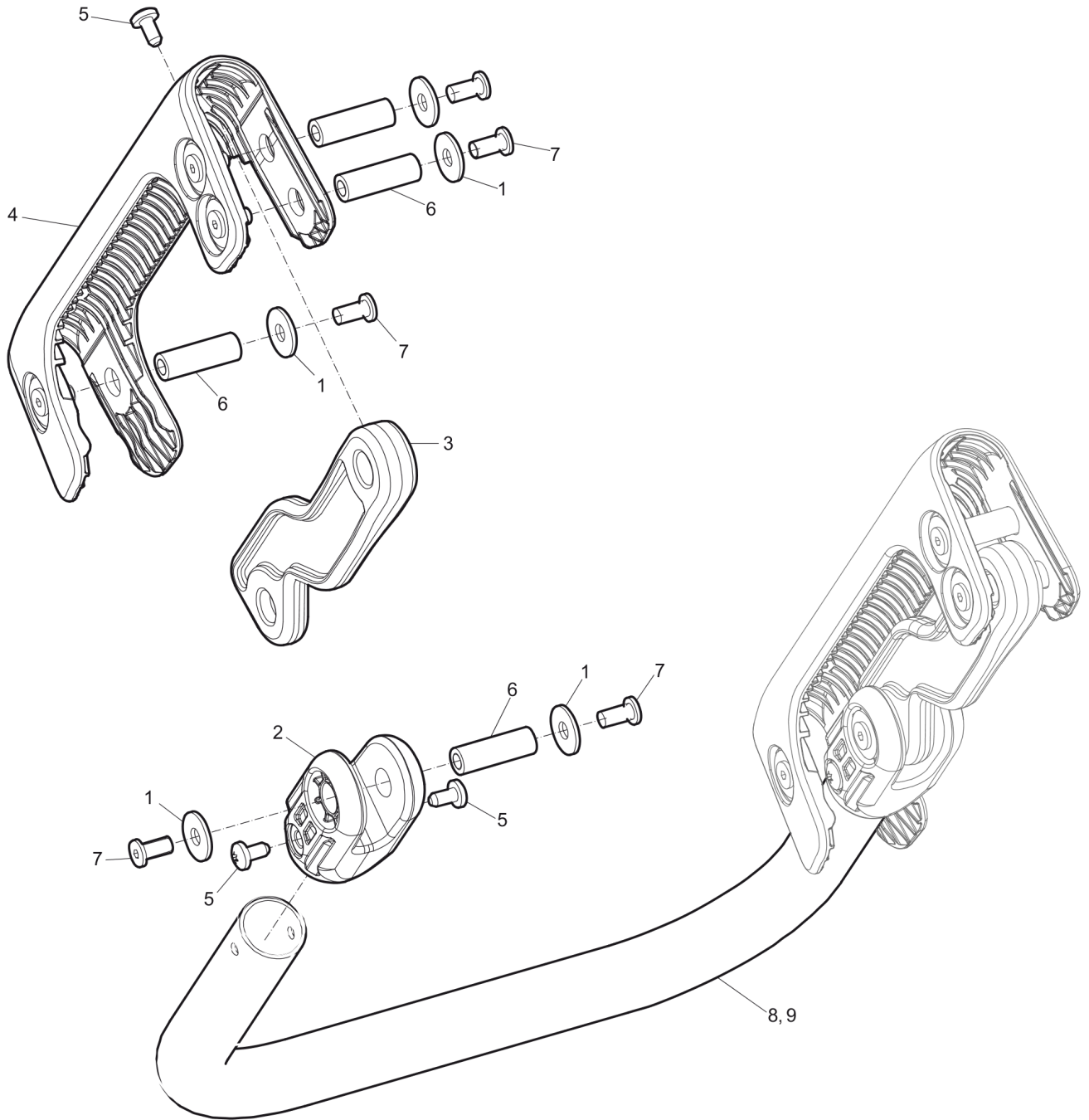
Comments for Page: Standard handle, new version

(L)OCAL REMARKS

A | Upper part

B | Lower part

Spare parts list Vibration damped handle



Refer to the Parts Online web page for most up-to-date information. The printed information might be outdated.

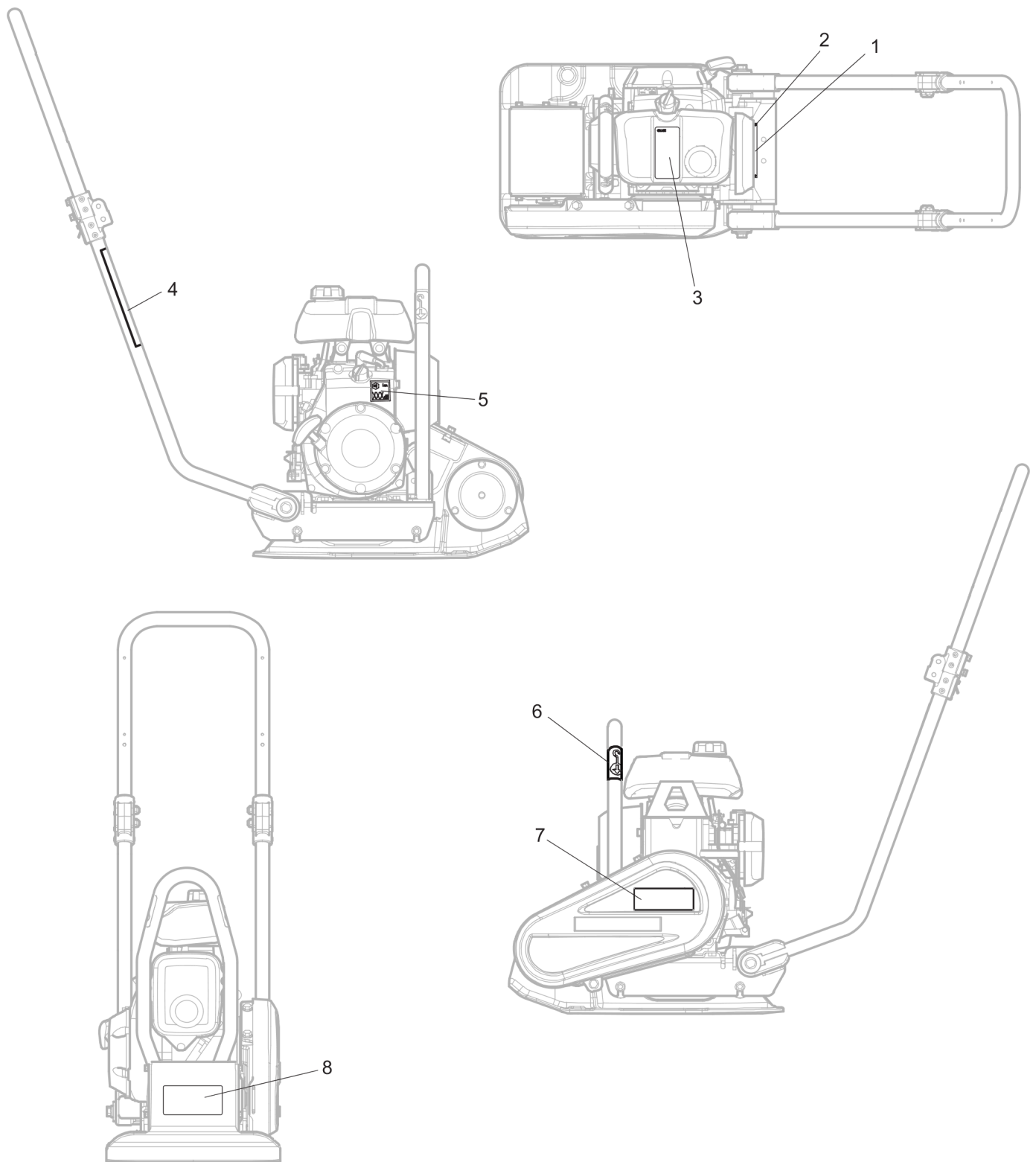
Item	Part No.	Name	Qty	L
1	-	Washer, 6.4 x 18 x 1.6 mm A2T, 0.25 x 0.71 x 0.06 in. A2T	16	
2	594482201	Bracket	2	
3	594480501	Shock absorber	2	
4	594482101	Bracket	2	
5	-	Screw, M5 x 10 mm A2K	8	
6	-	Jointing nut, M6 x 30 mm 8.8	8	
7	-	Screw, M6 x 12 mm 10.9 A2T	16	
8	594481301	Handle	1	
9	595363901	Handle	1	A

Comments for Page: Vibration damped handle

(L)OCAL REMARKS

A | New version, use together with new standard handle.

Spare parts list Labels



Refer to the Parts Online web page for most up-to-date information. The printed information might be outdated.

Item	Part No.	Name	Qty	L
1	-	Data plate (Not available separately)	1	
2	-	Drive screw	4	
3	594486301	Instruction label	1	A
4	594486201	Label, start instruction	1	B
5	594515401	Decal "SOUND POWER LEVEL" 100 dB	1	
6	595051201	Label lifting point	2	C
7	594146201	Product label	1	D
8	594143801	Product label	1	E

Comments for Page: Labels

(L)OCAL REMARKS

A | Assembly

B | Start instruction

C | Lift point

D | "LF 50"

E | "Atlas Copco"

Any unauthorized use or copying of the contents or any part thereof is prohibited. This applies in particular to trademarks, model denominations, part numbers, and drawings.