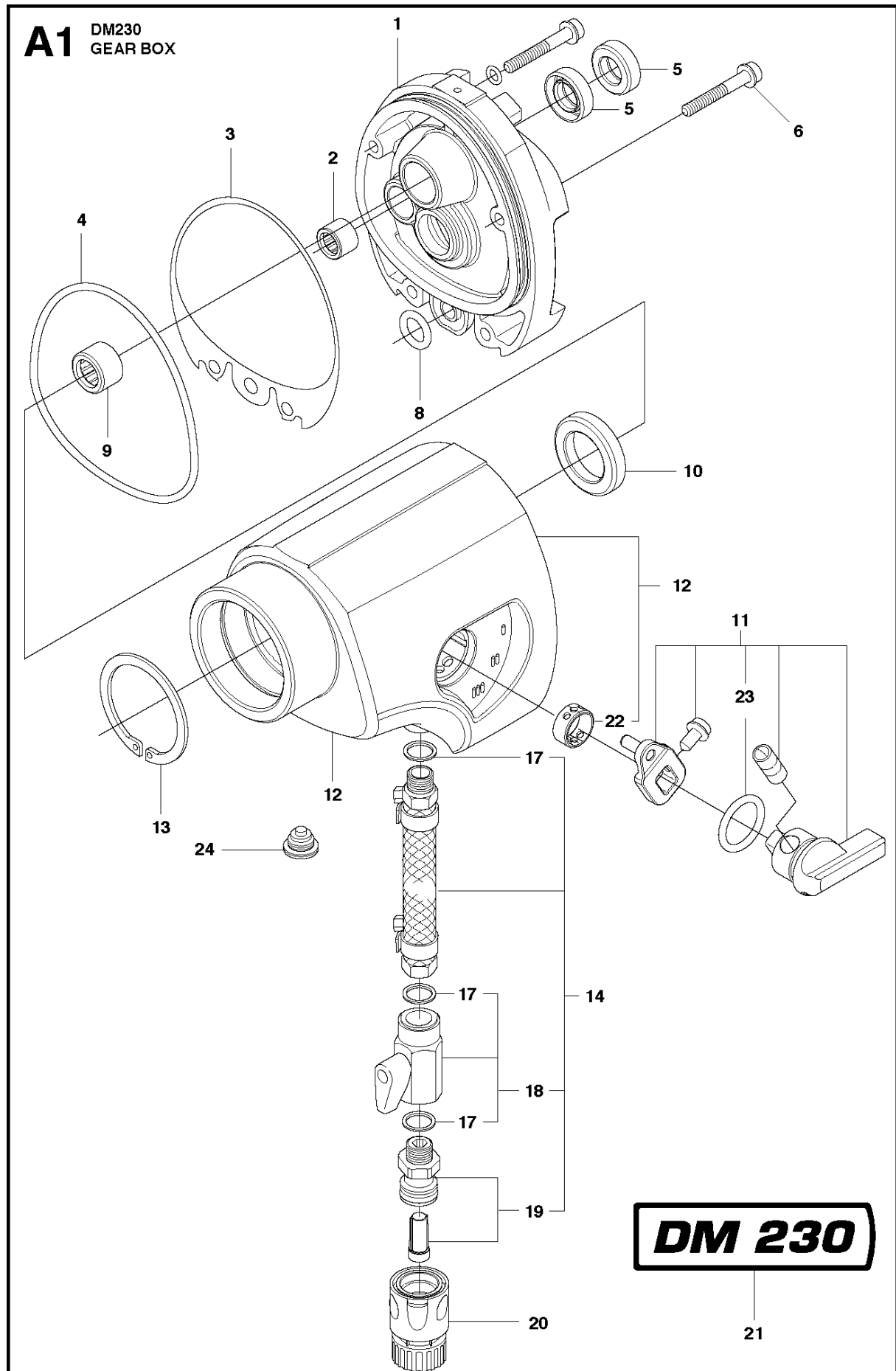




# SPARE PARTS LIST

DRILLING EQUIPMENT

DM230, 2012-06

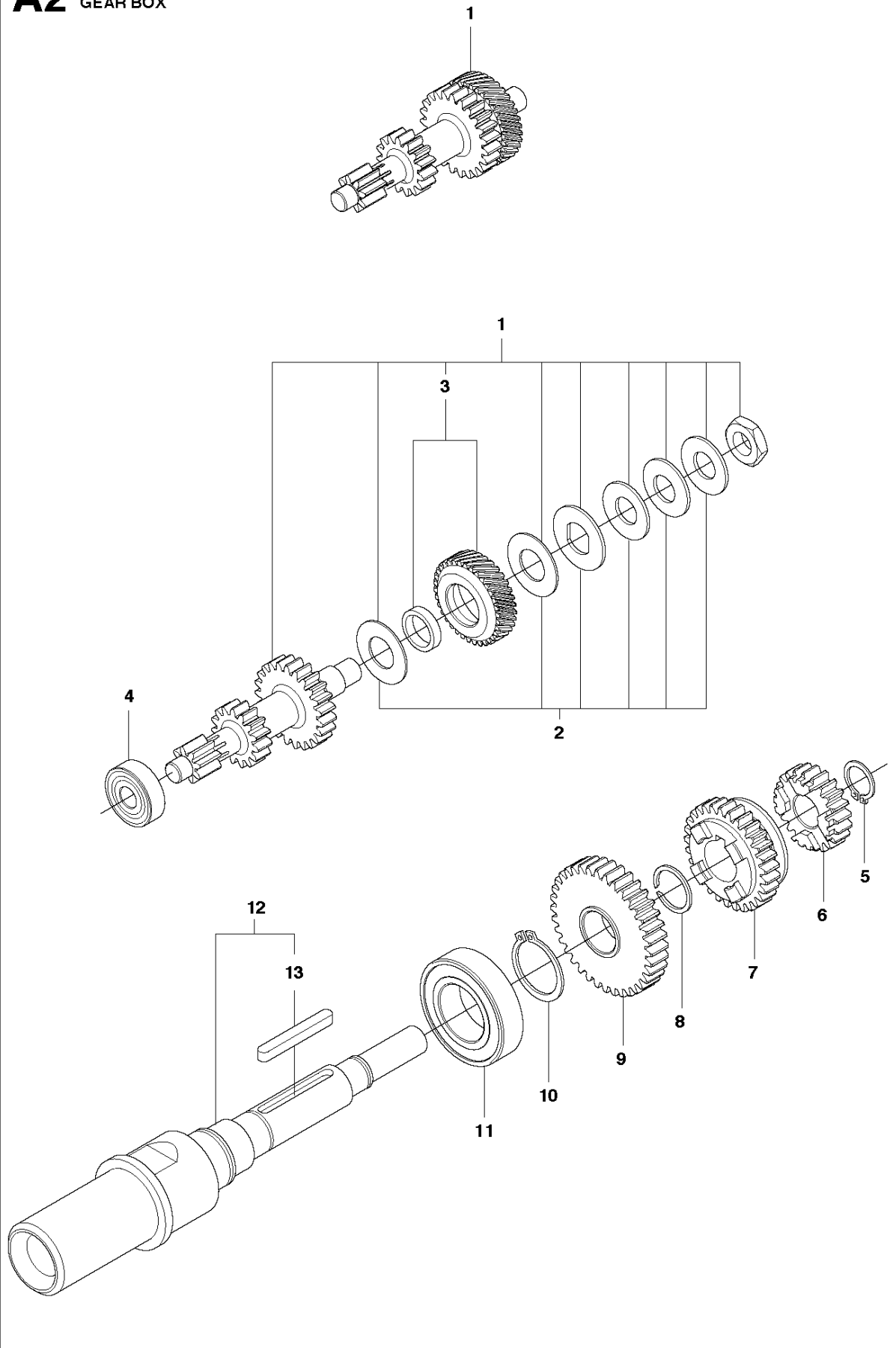


## GEAR BOX

DM230, 2012-06

| Ref | Part No      | Description     | Remark     | QTY | KIT   |
|-----|--------------|-----------------|------------|-----|-------|
| 1   | 544 12 50-01 | COVER           |            | 1   |       |
| 2   | 503 25 42-01 | NEEDLE BEARING  |            | 1   |       |
| 3   | 510 18 04-01 | GASKET          |            | 1   |       |
| 4   | 576 76 82-01 | O-RING          |            | 1   |       |
| 5   | 525 45 44-01 | RADIAL SEAL     |            | 2   |       |
| 6   | 503 20 74-40 | SCREW IHSCFM    |            | 2   |       |
| 7   | 740 42 03-00 | O-RING          |            | 2   |       |
| 8   | 503 26 30-31 | O-RING          |            | 1   |       |
| 9   | 503 25 53-01 | NEEDLE BEARING  |            | 1   |       |
| 10  | 575 55 79-01 | RADIAL SEAL     |            | 1   |       |
| 11  | 525 40 14-01 | GEARSHIFT LEVER |            | 1   |       |
| 12  | 525 85 06-01 | INSERT          |            | 1   |       |
| 13  | 735 31 40-10 | CIRCLIP         |            | 1   |       |
| 14  | 584 25 19-02 | HOSE ASSY       |            | 1   |       |
| 17  | 531 07 42-60 | WASHER          |            | 2   | 14,18 |
| 18  | 510 19 59-01 | VALVE KIT       |            | 1   | 14    |
| 19  | 510 11 20-01 | NIPPLE          |            | 1   | 14    |
| 20  | 503 26 60-03 | COUPLER         | USA/CANADA | 1   |       |
| 20  | 503 26 60-04 | COUPLER         |            | 1   |       |
| 21  | 502 63 54-01 | LABEL           |            | 1   |       |
| 22  | 544 13 00-01 | INSERT          |            | 1   | 12    |
| 23  | 740 44 04-00 | O-RING          |            | 1   |       |

**A2** DM230  
GEAR BOX

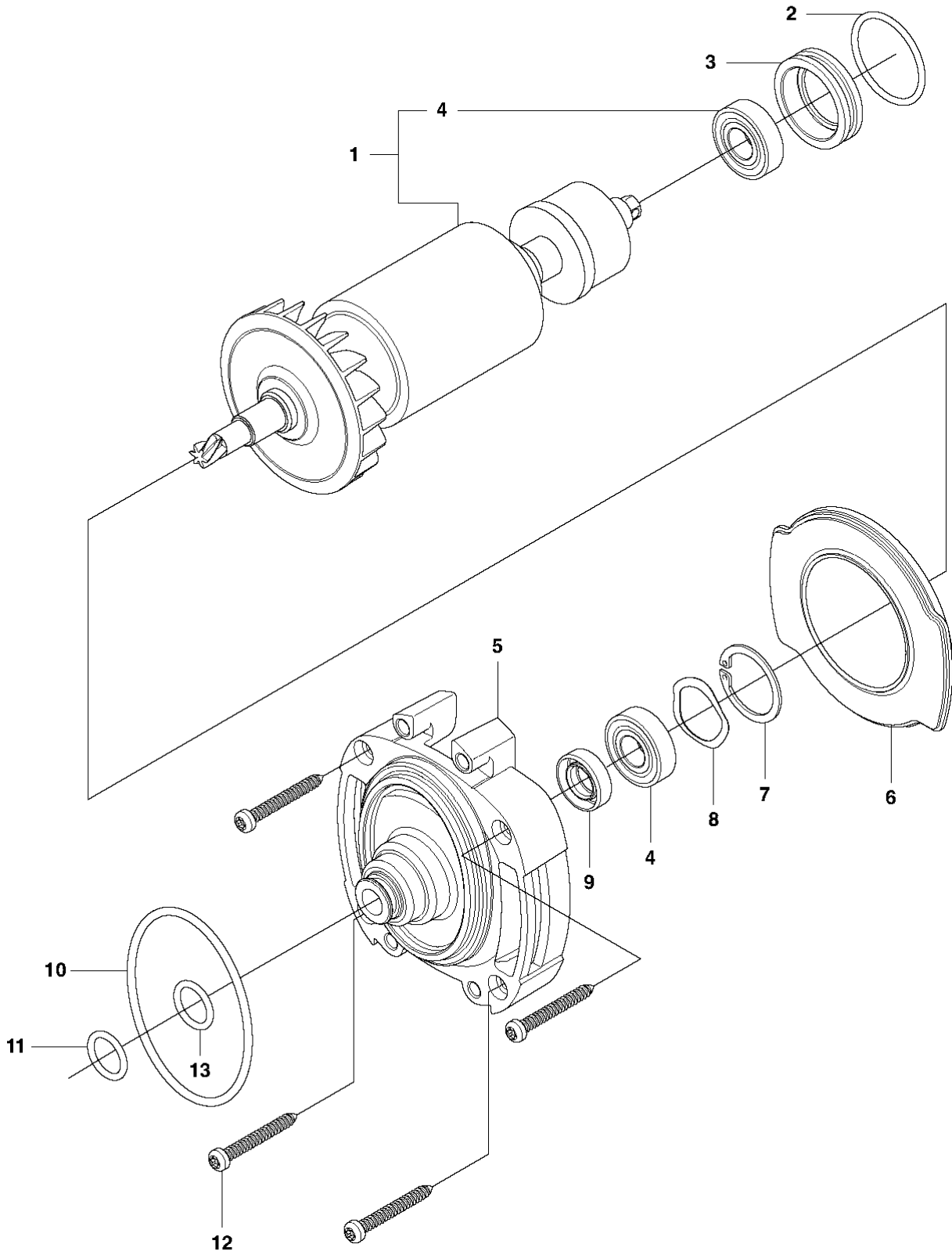


## GEAR BOX

DM230, 2012-06

| Ref | Part No      | Description     | Remark   | QTY | KIT |
|-----|--------------|-----------------|----------|-----|-----|
| 1   | 587 36 69-01 | COUPLING        |          | 1   |     |
| 2   | 587 36 25-01 | CLUTCH ASSY     |          | 1   |     |
| 3   | 504 57 11-02 | GEAR WHEEL ASSY |          | 1   | 1   |
| 4   | 738 22 99-27 | BALL BEARING    |          | 1   |     |
| 5   | 735 31 16-00 | CIRCLIP         |          | 1   |     |
| 6   | 544 12 44-01 | GEAR WHEEL      |          | 1   |     |
| 7   | 544 12 46-01 | GEAR WHEEL      |          | 1   |     |
| 8   | 735 31 20-40 | RETAINER RING   |          | 1   |     |
| 9   | 544 12 48-01 | GEAR WHEEL      |          | 1   |     |
| 10  | 735 31 26-00 | CIRCLIP         |          | 1   |     |
| 11  | 738 21 05-14 | BALL BEARING    |          | 1   |     |
| 12  | 525 40 21-01 | SPINDLE SHAFT   | "1/2"''' | 1   |     |
| 12  | 525 40 22-01 | SPINDLE SHAFT   | "5/8"''' | 1   |     |
| 13  | 544 38 16-01 | KEY             |          | 1   |     |

**B1** DM230  
MOTOR

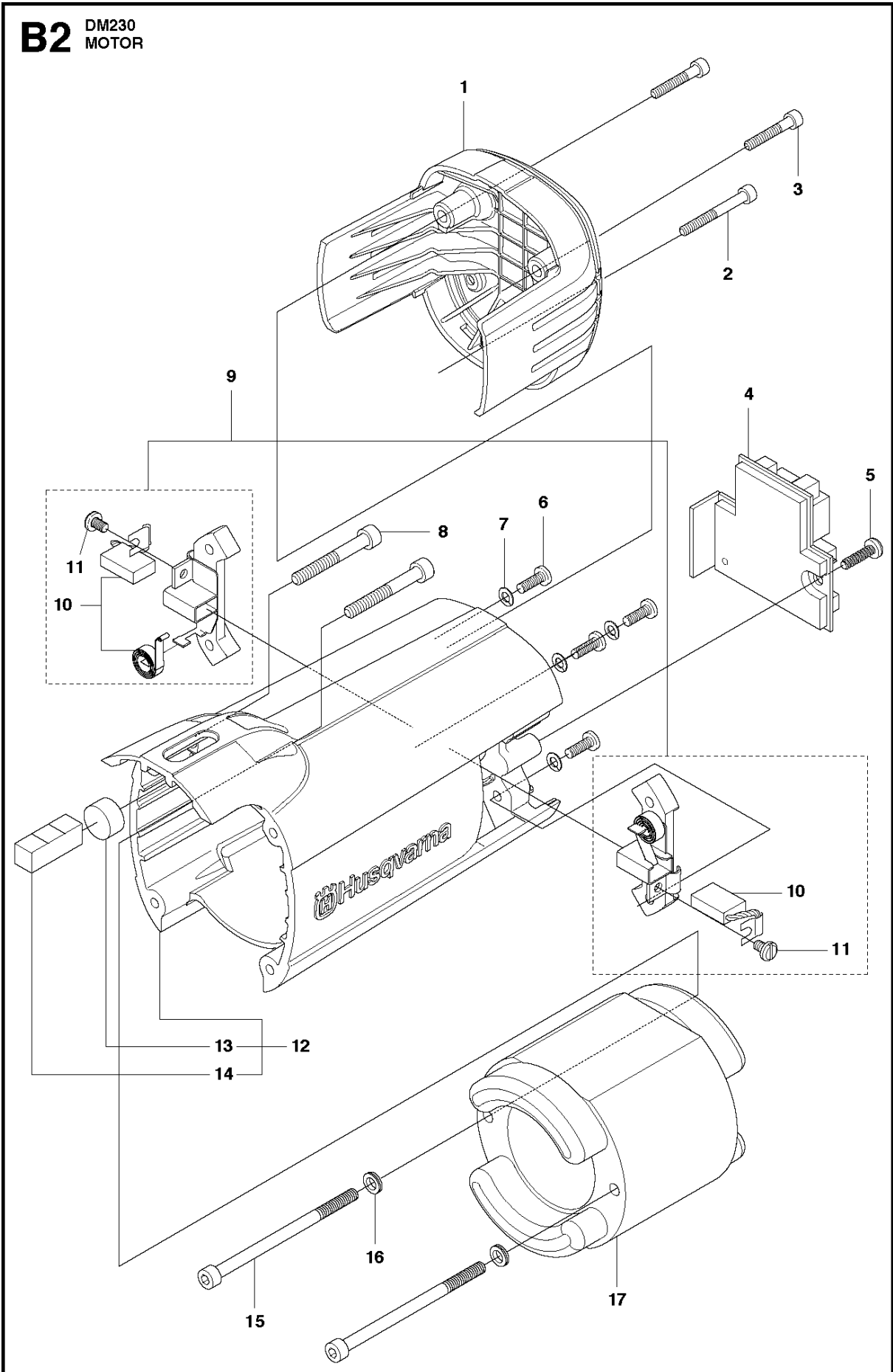


## MOTOR

DM230, 2012-06

| Ref | Part No      | Description     | Remark         | QTY KIT |
|-----|--------------|-----------------|----------------|---------|
| 1   | 505 57 65-01 | ROTOR           | 110 V, Incl. 4 | 1       |
| 1   | 505 57 66-01 | ROTOR           | 230 V, Incl. 4 | 1       |
| 2   | 503 26 30-03 | O-RING          |                | 1       |
| 3   | 544 12 30-01 | BEARING SUPPORT |                | 1       |
| 4   | 503 25 24-01 | BALL BEARING    |                | 2       |
| 5   | 544 12 43-01 | COVER           |                | 1       |
| 6   | 544 12 29-01 | AIR CONDUCTOR   |                | 1       |
| 7   | 735 31 28-10 | CIRCLIP         |                | 1       |
| 8   | 501 00 84-01 | SPRING WASHER   |                | 1       |
| 9   | 501 00 83-01 | SEALING         |                | 1       |
| 10  | 503 26 30-29 | O-RING          |                | 1       |
| 11  | 740 43 11-00 | O-RING          |                | 1       |
| 12  | 525 47 63-02 | SCREW ITPANT    |                | 4       |
| 13  | 510 44 09-01 | GASKET          |                | 1       |

**B2** DM230  
MOTOR

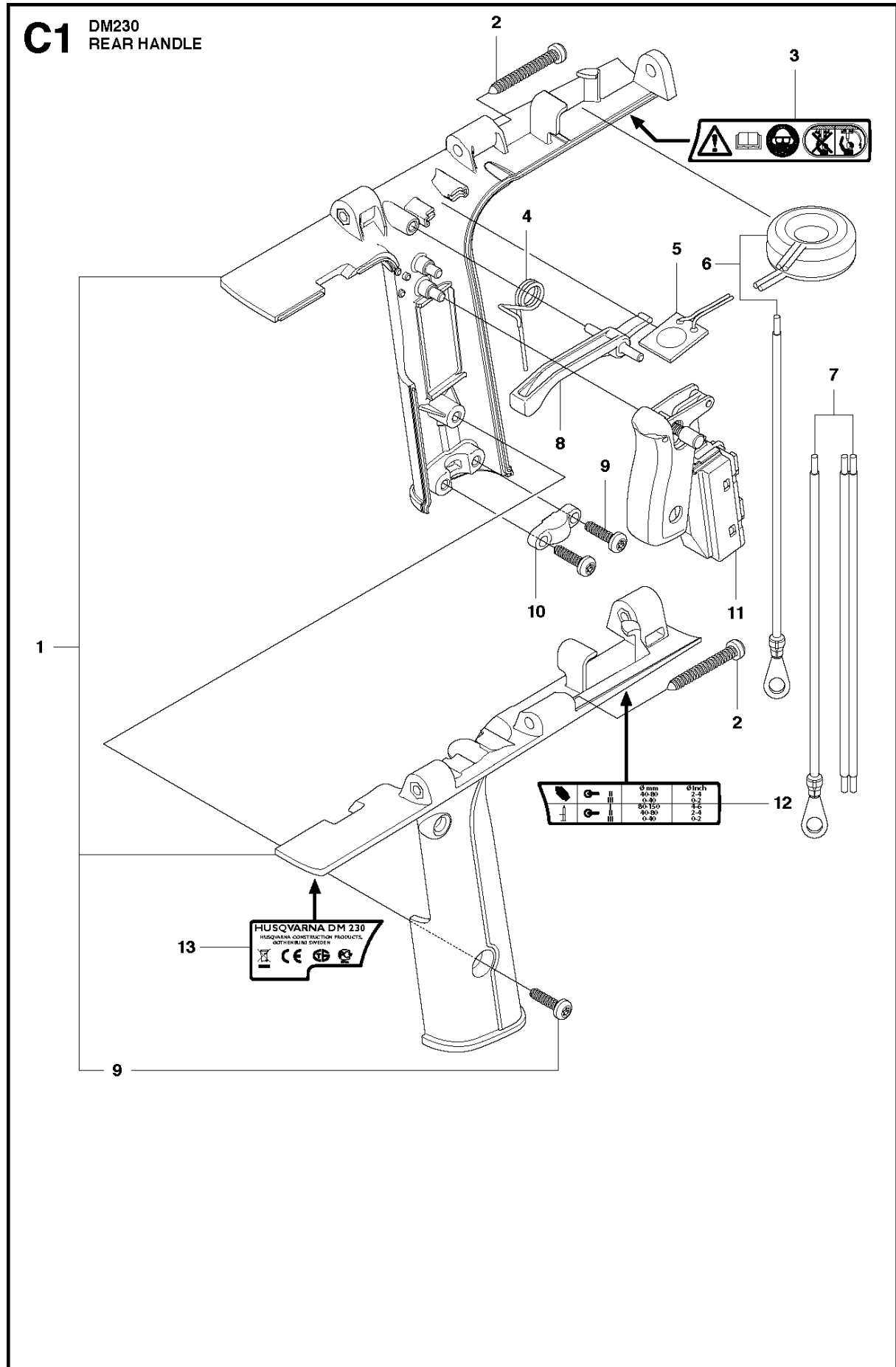




## MOTOR

DM230, 2012-06

| Ref | Part No      | Description          | Remark                               | QTY | KIT |
|-----|--------------|----------------------|--------------------------------------|-----|-----|
| 1   | 525 40 23-01 | REAR COVER           |                                      | 1   |     |
| 2   | 503 20 07-82 | SCREW IHSCFM         |                                      | 1   |     |
| 3   | 503 20 07-78 | SCREW IHSCFM         |                                      | 2   |     |
| 4   | 544 12 34-02 | PRINTED CIRCUIT ASSY | 120V                                 | 1   |     |
| 4   | 544 12 34-01 | PRINTED CIRCUIT ASSY | 230V                                 | 1   |     |
| 5   | 525 47 63-01 | SCREW ITPANM         |                                      | 1   |     |
| 6   | 724 12 91-01 | SCREW CRPANM         |                                      | 4   |     |
| 7   | 735 11 36-50 | SPRING WASHER        |                                      | 4   |     |
| 8   | 725 53 39-55 | SCREW IHSCM          |                                      | 2   |     |
| 9   | 581 05 86-01 | BRUSH HOLDER         |                                      | 2   |     |
| 10  | 581 08 69-01 | BRUSH KIT            | Contains two brushes and two springs | 2   |     |
| 11  | 724 12 87-01 | SCREW CRPANM         |                                      | 2   |     |
| 12  | 505 57 63-01 | MOTOR HOUSING        |                                      | 1   |     |
| 13  | 544 23 13-01 | LEVEL                |                                      | 1   | 13  |
| 14  | 544 23 12-01 | LEVEL                |                                      | 1   | 13  |
| 15  | 725 53 47-55 | SCREW IHSCM          |                                      | 2   |     |
| 16  | 503 23 04-02 | WASHER               |                                      | 2   |     |
| 17  | 587 23 12-01 | STATOR               | 120V                                 | 1   |     |
| 17  | 587 23 12-02 | STATOR               | 230V                                 | 1   |     |

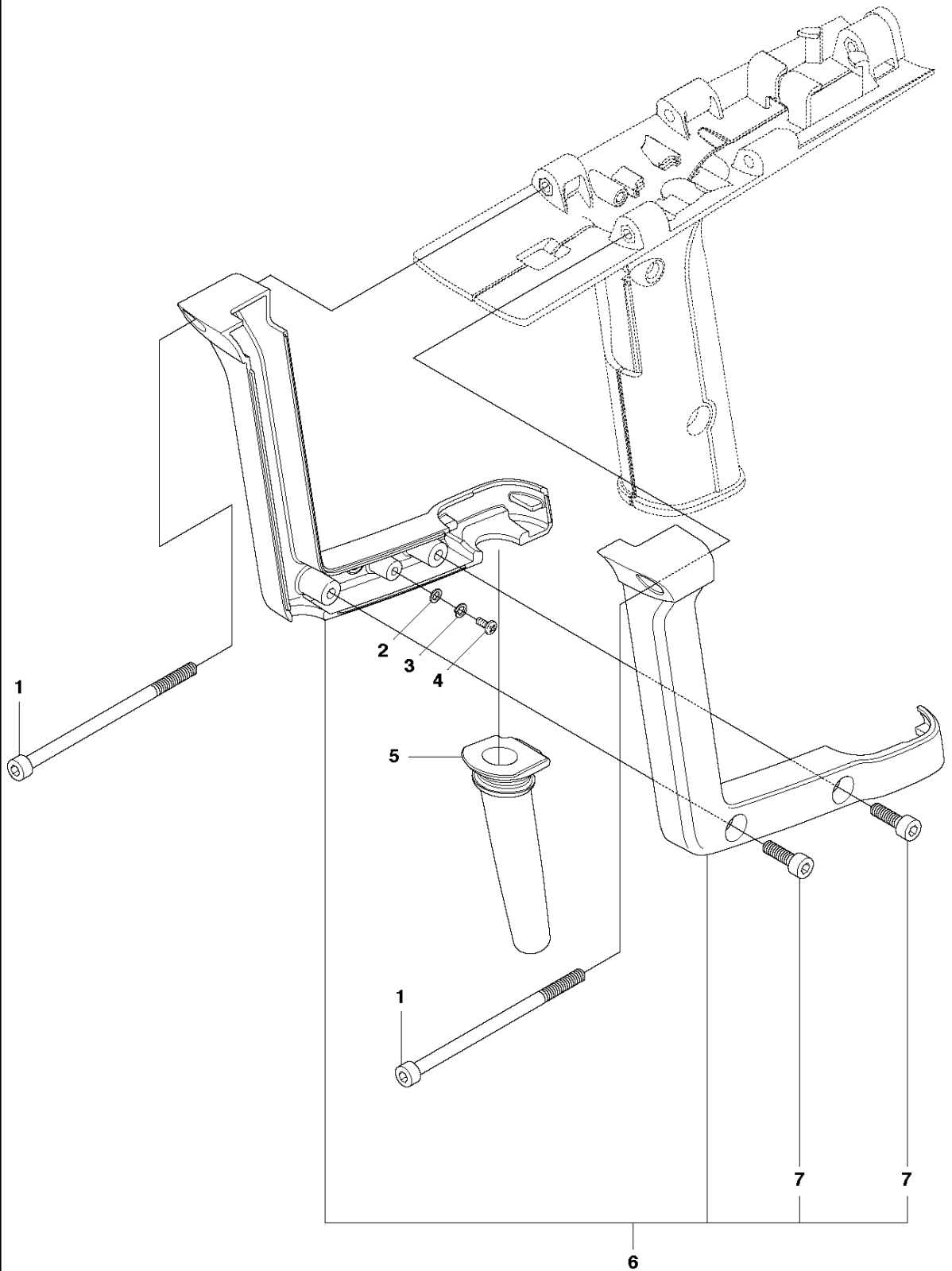


## REAR HANDLE

DM230, 2012-06

| Ref | Part No      | Description    | Remark | QTY | KIT |
|-----|--------------|----------------|--------|-----|-----|
| 1   | 505 44 11-01 | HANDLE ASSY    |        | 1   |     |
| 2   | 525 47 63-02 | SCREW ITPANT   |        | 2   |     |
| 3   | 502 63 53-01 | LABEL          |        | 1   |     |
| 4   | 544 12 56-01 | SPRING         |        | 1   |     |
| 5   | 544 13 14-01 | BUTTON         |        | 1   |     |
| 6   | 504 57 13-02 | JOINTING CABLE | 230V   | 1   |     |
| 7   | 504 57 13-01 | CABLE          | 110V   | 1   |     |
| 8   | 544 13 12-01 | LEVER          |        | 1   |     |
| 9   | 525 47 63-01 | SCREW ITPANT   |        | 3   | 1   |
| 10  | 544 12 32-01 | CABLE CLAMP    |        | 1   |     |
| 11  | 544 12 95-01 | TRIGGER        |        | 1   |     |
| 12  | 502 63 50-01 | LABEL          |        | 1   |     |
| 13  | 502 63 49-01 | LABEL          |        | 1   |     |
| 13  | 502 63 49-02 | LABEL          | CHINA  | 1   |     |

**C2** DM230  
REAR HANDLE

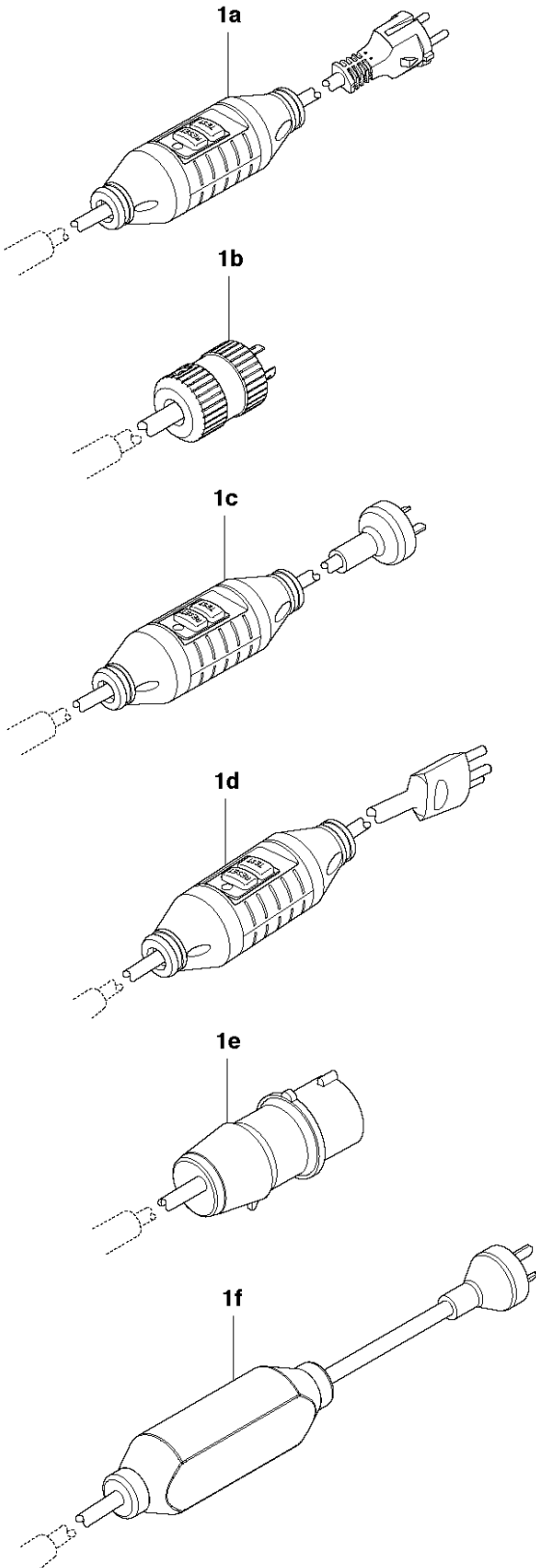


REAR HANDLE

DM230, 2012-06

| Ref | Part No      | Description     | Remark | QTY | KIT |
|-----|--------------|-----------------|--------|-----|-----|
| 1   | 725 53 49-55 | SCREW IHSCM     |        | 2   |     |
| 2   | 734 11 36-01 | WASHER          |        | 1   |     |
| 3   | 735 21 36-01 | LOCKWASHER      |        | 1   |     |
| 4   | 724 12 87-01 | SCREW CRPANM    |        | 1   |     |
| 5   | 577 41 18-01 | CABLE SLEEVE    |        | 1   |     |
| 6   | 505 44 13-01 | HAND GUARD ASSY |        | 1   |     |
| 7   | 503 20 07-74 | SCREW IHSCFM    |        | 2   | 6   |

**C3** DM230  
POWER CABLE



| Ref | Part No      | Description | Remark      | QTY KIT |
|-----|--------------|-------------|-------------|---------|
| 1a  | 505 44 33-01 | CABLE       | 230V, EU    | 1       |
| 1b  | 510 18 13-01 | CABLE       | 120V, US    | 1       |
| 1c  | 521 90 72-01 | CABLE       | 230V, AUS   | 1       |
| 1d  | 521 90 74-01 | CABLE       | 230V, CH    | 1       |
| 1e  | 521 91 90-01 | CABLE       | 230V, UK    | 1       |
| 1f  | 579 47 13-01 | CABLE       | 230V, CHINA | 1       |