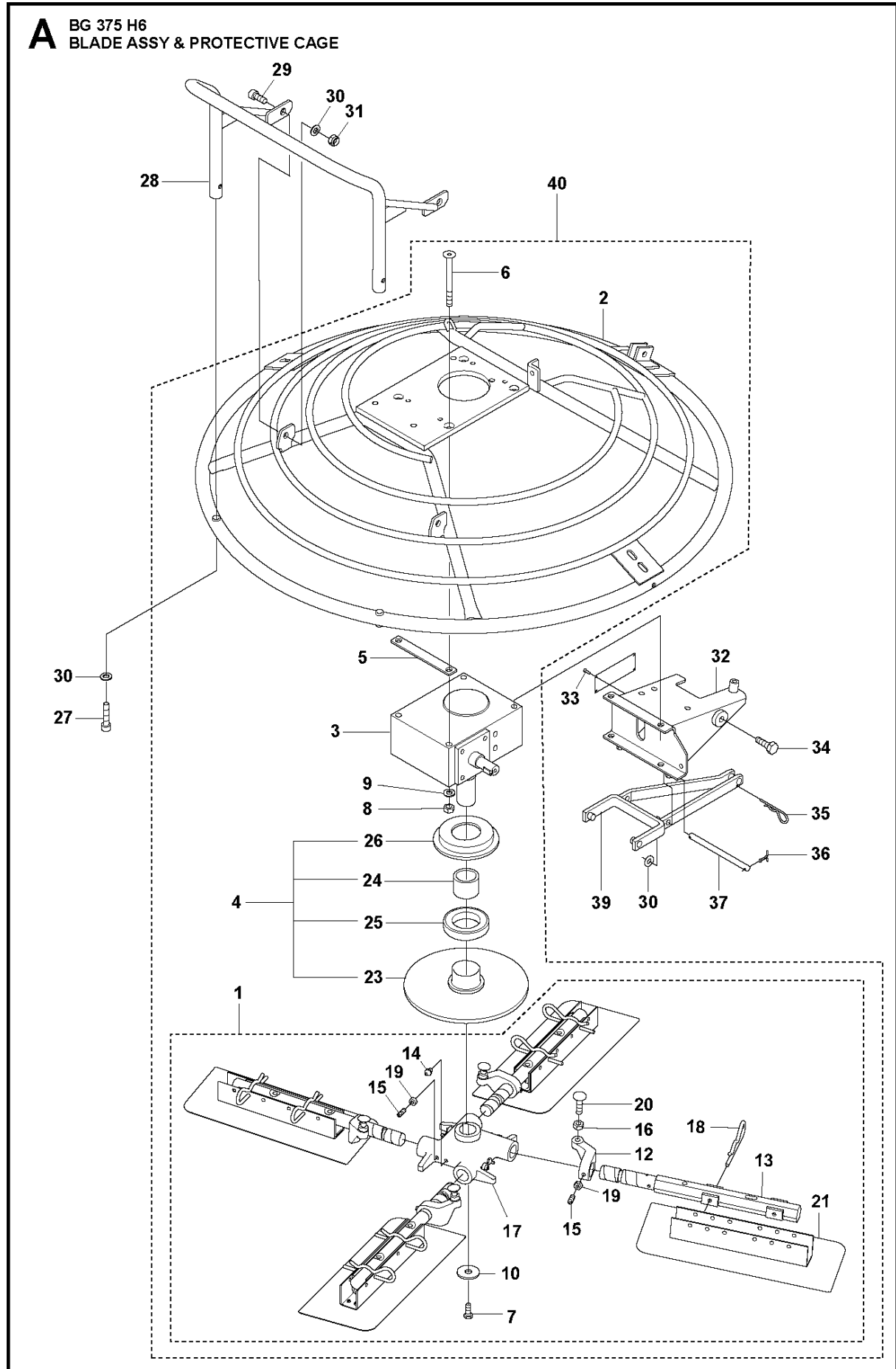




# SPARE PARTS LIST

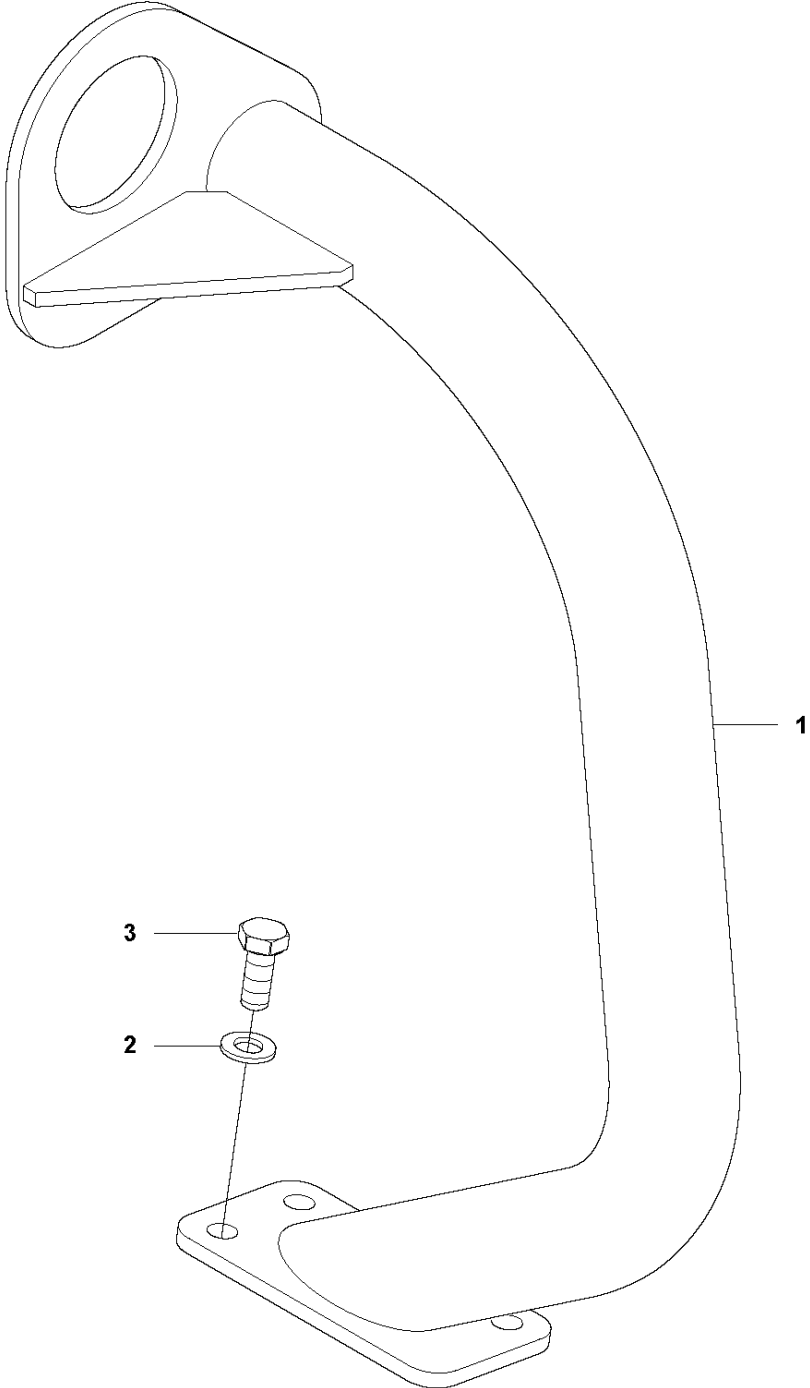
## TROWELS

BG 375 H6, 967929001, 2019-04



Ref	Part No	Description	Remark	QTY	KIT
1	595 21 08-01	BLADE		1	
2	595 29 81-01	CHASSIS		1	40
3	594 22 66-01	GEARBOX		1	40
4	595 13 66-01	PLATE		1	
5	595 44 37-01	PLATE		1	40
6	594 28 79-01	SOCKET	M10x110 DIN7991-10.9 ZnB	4	40
7	595 34 52-01	BOLT	M12x20 DIN 933-8.8 zn	1	40
8	595 02 94-01	NUT	M10 DIN 934-8 Zn	4	40
9	595 11 33-01	WASHER	M10 ISO7089 A2K	4	40
10	594 12 40-01	WASHER	13x36x6 fzb	1	40
12	594 24 60-01	ARM		4	1, 40
13	594 63 97-01	AXLE		4	1, 40
14	594 12 68-01	LUBRICATION NIPPLE		4	1, 40
15	594 28 60-01	SCREW	M8 x20 ISO 4028	8	1, 40
16	595 02 94-01	NUT	M10 DIN 934-8 Zn	4	1, 40
17	594 24 03-01	HUB		1	1, 40
18	594 11 76-01	CLIP		8	1, 40
19	595 35 17-01	NUT	M8 DIN 439 b zn	8	1, 40
20	595 35 08-01	BOLT	M10x40 DIN 603-8.8 ZnB	4	1, 40
21	594 22 76-01	BLADE KIT		1	1, 40
23	594 24 17-01	PRESSURE PLATE		1	4, 40
24	594 22 68-01	BEARING		1	4, 40
25	595 03 81-01	BEARING		1	4, 40
26	594 24 86-01	BEARING PLATE		1	4, 40
27	594 12 02-01	SCREW	M10x45 DIN 912-10.9 Geomet	2	
28	595 21 06-01	HANDLE		1	
29	595 11 13-01	SCREW		2	
30	595 11 33-01	WASHER	M10 ISO7089 A2K	6	
31	595 18 34-01	NUT	M10 DIN985	2	
32	596 86 57-13	HANDLE HOLDER		1	
33	595 34 40-01	RIVET		4	
34	594 69 80-01	SCREW		2	
35	594 11 75-01	SPRING PIN		1	
36	594 11 73-01	SPLIT PIN		2	
37	596 86 57-17	CLEVIS PIN		1	
39	594 24 25-01	FORK		1	
40	595 37 93-01	STOP		1	

**B** BG 375 H6  
LIFTING BEAM

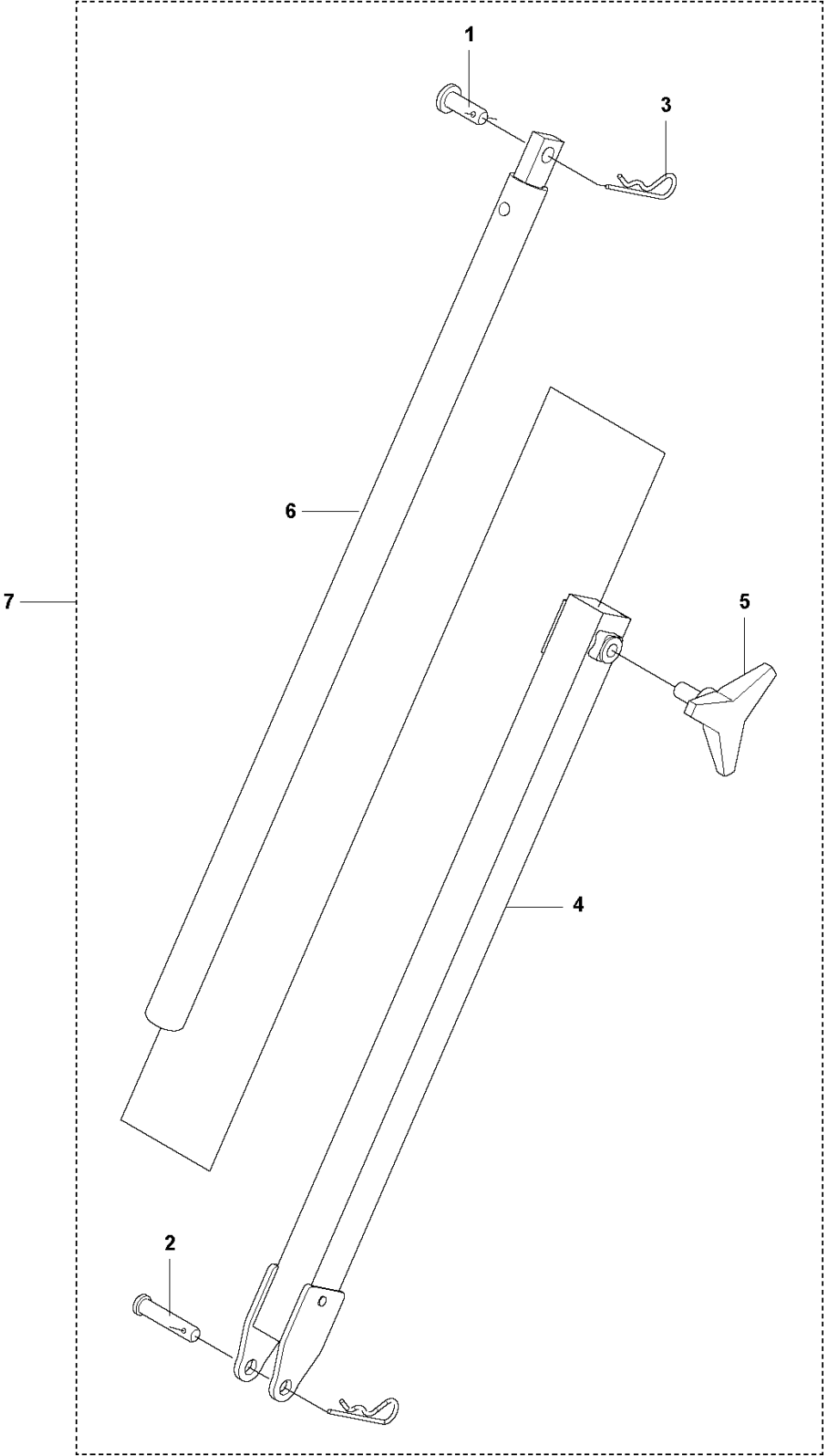


## LIFTING BEAM

BG 375 H6, 967929001, 2019-04

Ref	Part No	Description	Remark	QTY KIT
1	594 15 43-01	HANDLE		1
2	595 03 66-01	WASHER	M8 DIN 125b zn	3
3	594 11 79-01	SCREW	M8x20 DIN 933 8.8	3

**C** BG 375 H6  
SHOULDER

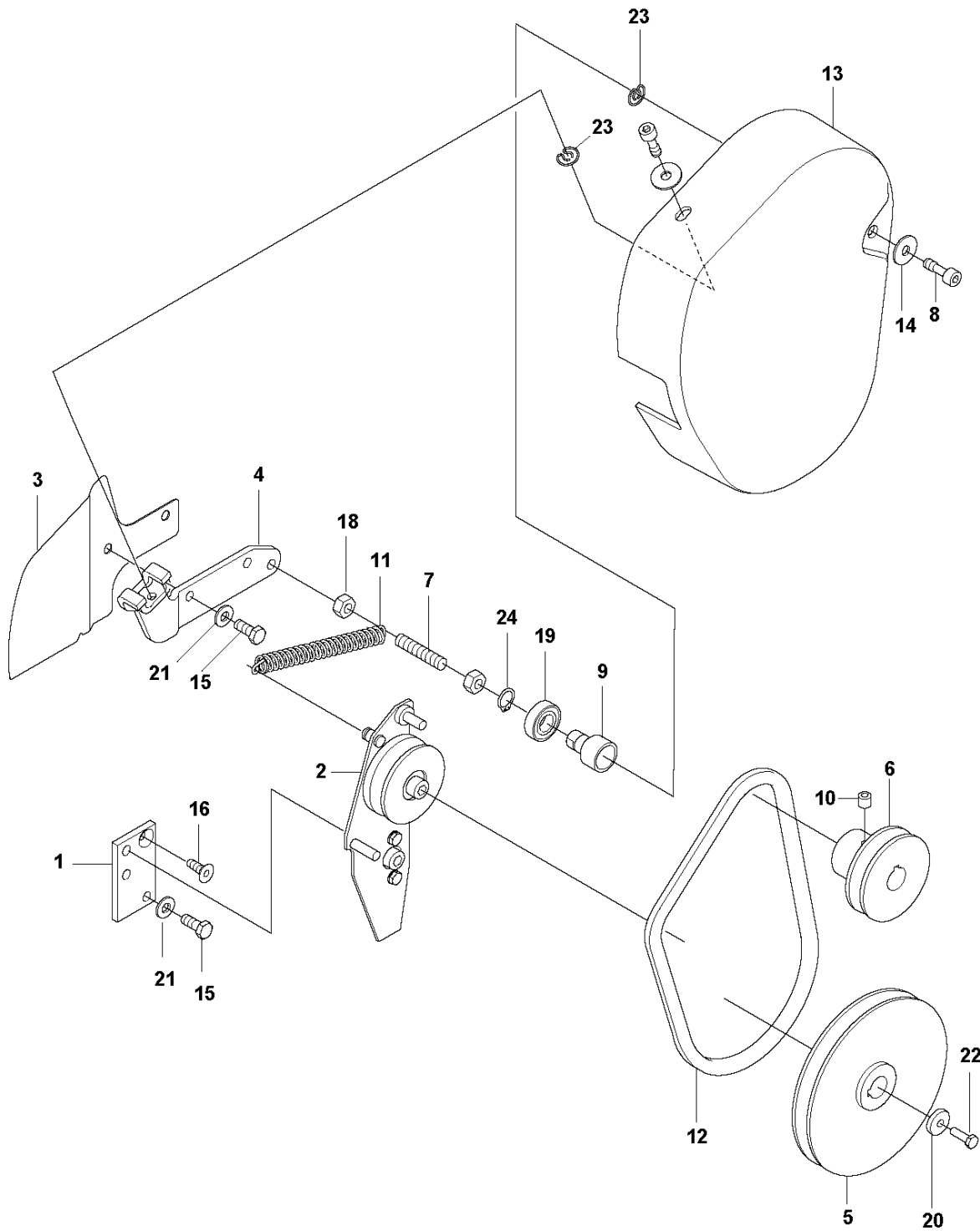


SHOULDER

BG 375 H6, 967929001, 2019-04

Ref	Part No	Description	Remark	QTY	KIT
1	594 22 63-01	BOLT	10x28 DIN 1434 b-ZnB	1	7
2	596 86 59-38	PIN	9.5 x 45 -FeZn	1	7
3	594 11 74-01	CLIP		2	7
4	594 15 49-01	STAY		1	7
5	594 24 62-01	KNOB	KNOB	1	7
6	594 24 76-01	STAY		1	7
7	597 72 41-01	STAY	Shoulder Complete	1	

**D** BG 375 H6  
CLUTCH & PULLEY



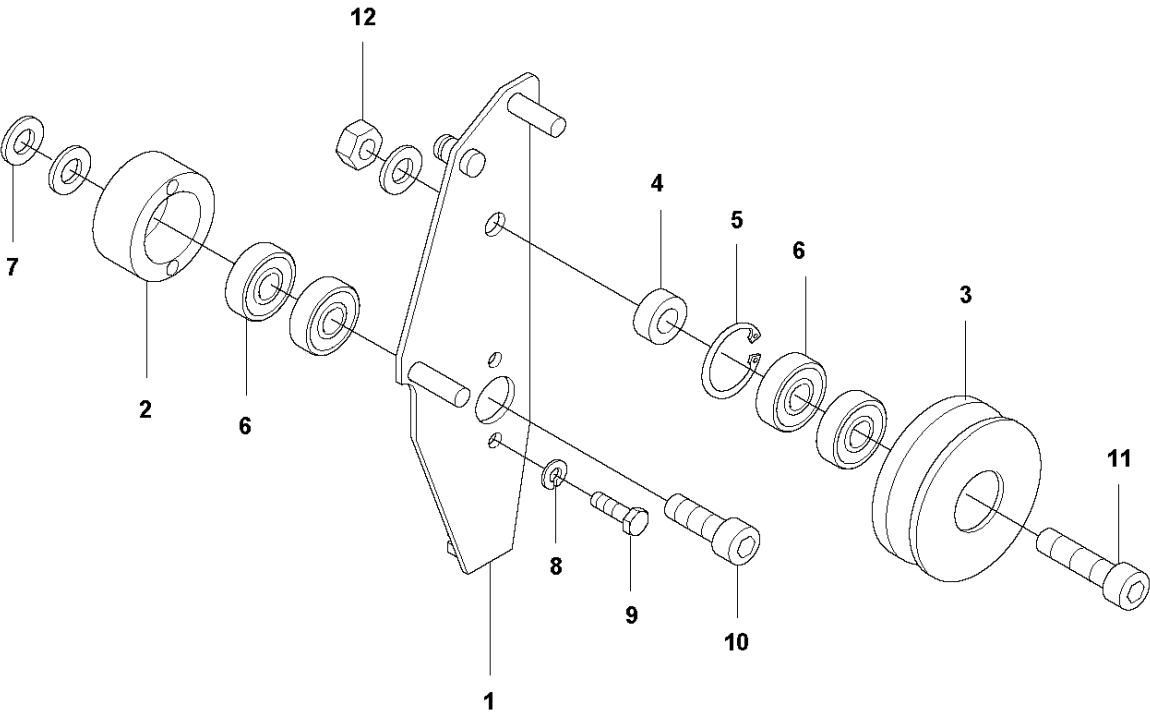


## CLUTCH &amp; PULLEY

BG 375 H6, 967929001, 2019-04

Ref	Part No	Description	Remark	QTY KIT
1	594 24 87-01	BRACKET		1
2	595 44 43-01	CLUTCH		1
3	594 75 14-01	PLATE		1
4	594 15 54-01	BRACKET		1
5	594 24 16-01	PULLEY		1
6	594 64 20-01	PULLEY		1
7	595 35 13-01	STUD	M10x50 DIN 976-8.8 ZnB	1
8	594 64 25-01	SCREW		2
9	594 64 24-01	HOLDER		1
10	595 34 67-01	SCREW	M8x8 ISO 4029 45H ZnB	2
11	594 24 95-01	SPRING		1
12	594 23 06-01	V-BELT		1
13	594 95 90-01	BELT COVER		1
14	594 12 37-01	WASHER	M8 DIN9021 (8.4x25x2)FZB	2
15	594 11 79-01	SCREW	M8x20 DIN 933 8.8 zn	3
16	595 35 01-01	SOCKET	M8x20 DIN 7991-8.8 zn	1
18	595 02 94-01	NUT	M10 DIN 934-8 Zn	2
19	595 11 57-01	BALL BEARING	SKF 6002-2RS1	1
20	595 11 92-01	WASHER	6.4x22x4	1
21	595 11 36-01	WASHER	M8 DIN 6796 ZnB	3
22	595 10 98-01	SCREW	M06x020H ISO4017 8.8 A2K	1
23	594 65 02-01	LOCKING SPRING		2
24	595 03 71-01	CIRCLIP		1

**E** BG 375 H6  
CLUTCH

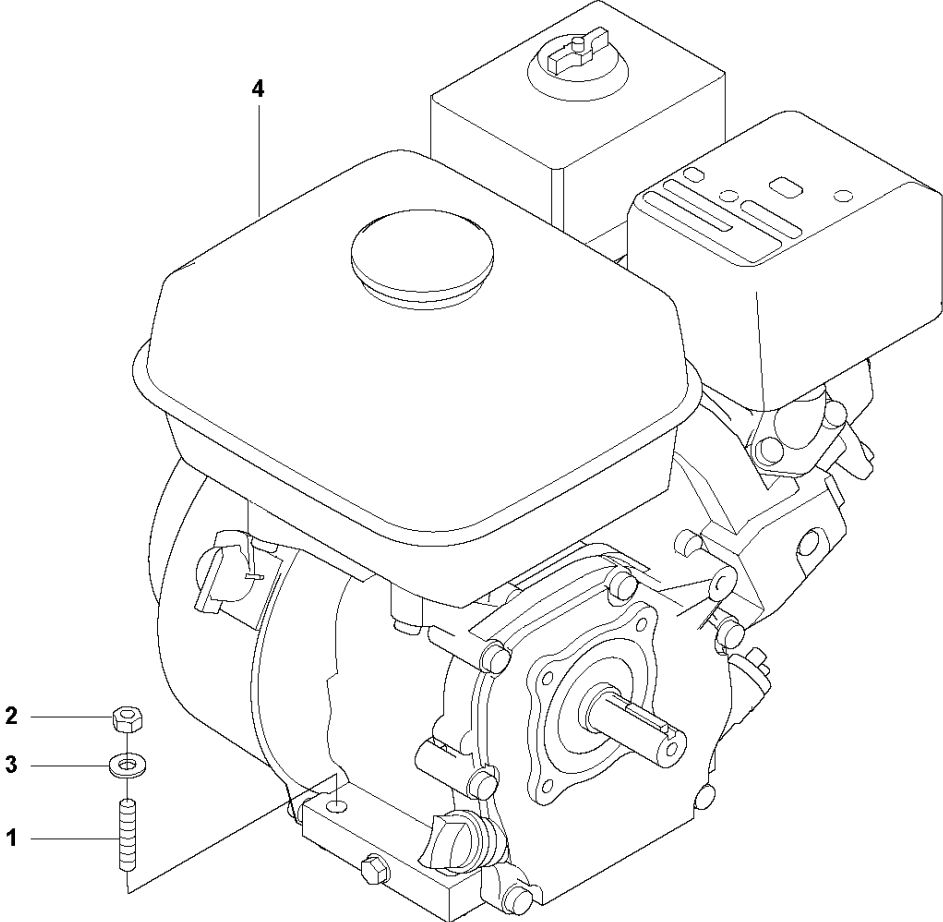


## CLUTCH

BG 375 H6, 967929001, 2019-04

Ref	Part No	Description	Remark	QTY KIT
1	595 50 22-01	BELT		1
2	594 24 89-01	BEARING SLEEVE		1
3	594 24 90-01	TENSIONER		1
4	594 15 96-01	WASHER	10.5/20X8	1
5	595 03 73-01	RING	D 30 DIN472	1
6	594 53 13-01	BALL BEARING	SKF 6200-2RS1	4
7	595 11 33-01	WASHER	M10 ISO 7089 A2K	3
8	595 35 31-01	WASHER	M6 DIN 127 B	2
9	595 10 98-01	SCREW	M06x020H ISO4017 8.8 A2K	2
10	595 34 86-01	SCREW	M10x30 DIN 912-12.9	1
11	595 34 88-01	SOCKET	M10x40 DIN 912 - 8.8 zn	1
12	595 02 94-01	NUT	M10 DIN 934-8 Zn	1

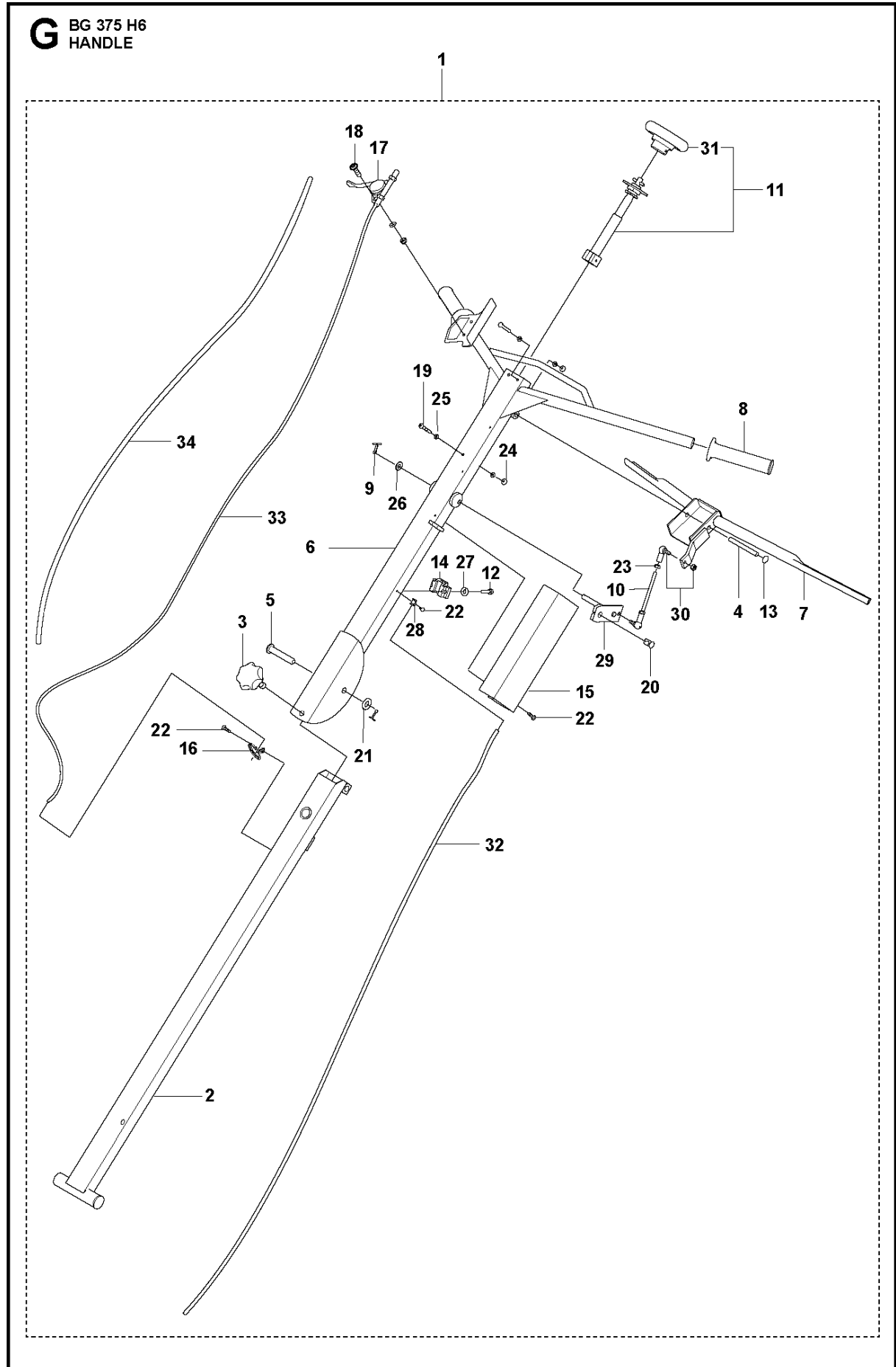
**F** BG 375 H6  
ENGINE



## ENGINE

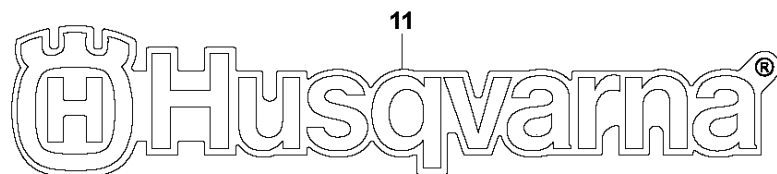
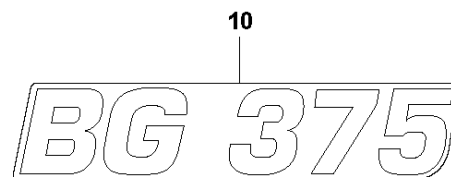
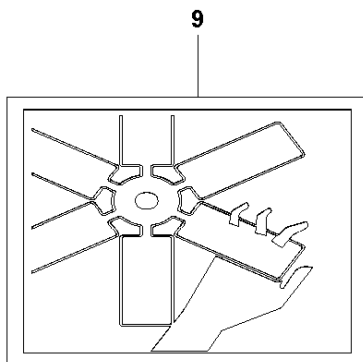
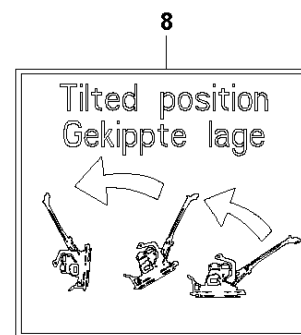
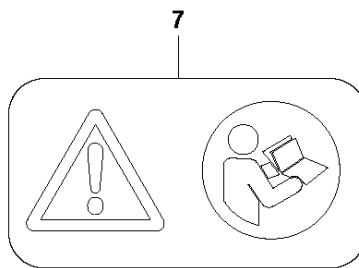
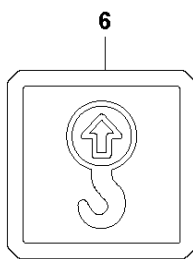
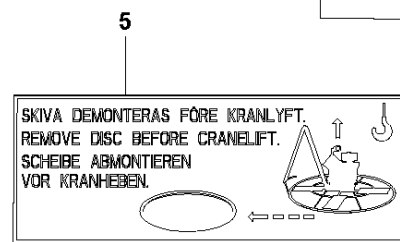
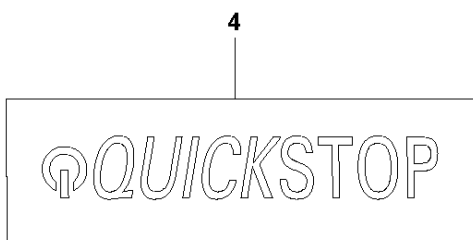
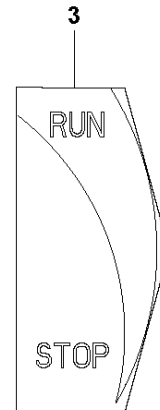
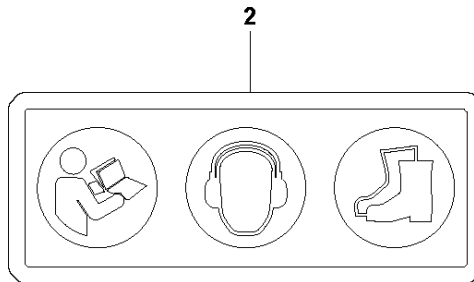
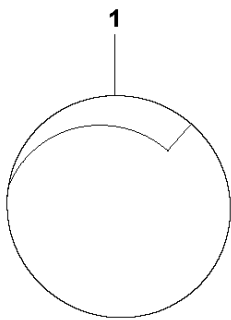
BG 375 H6, 967929001, 2019-04

Ref	Part No	Description	Remark	QTY KIT
1	595 11 20-01	BOLT		4
2	595 03 57-01	NUT	M8 DIN 934-8 zn	4
3	595 11 36-01	WASHER	M8 DIN 6796 ZnB	4
4	594 47 27-01	ENGINE	Honda GX200UT-SM-12-SD	1



Ref	Part No	Description	Remark	QTY KIT	
1	595 92 94-01	HANDLE	Long Handle Complete	1	
2	594 15 48-01	HANDLE		1	1
3	594 69 51-01	KNOB		1	1
4	594 23 15-01	CLEVIS PIN		1	1
5	596 86 59-37	PIN		1	1
6	594 15 47-01	HANDLE		1	1
7	595 92 91-01	GRIP		1	1
8	594 22 33-01	HANDLE		2	1
9	594 11 73-01	SPLIT PIN	3.2x20 DIN 94 ZnB	2	1
10	594 22 90-01	PIN	M6 DIN 976-10.9	1	1
11	594 19 84-01	BLADE	Blade Adjuster, Complete	1	1
12	595 46 63-01	SCREW	M06x025H, 8.8, A2K ISO 4017	2	1
13	594 23 14-01	LOCKWASHER		2	1
14	594 16 49-01	CONSOLE		1	1
15	594 15 52-01	HOOD		1	1
16	594 24 65-01	WIRE HOLDER		1	1
17	594 22 41-01	CONTROL LEVER		1	1
18	595 51 47-01	SCREW	M5x12 DIN 7985-4.8 ZnB	2	1
19	595 35 03-01	SCREW	M5x40 DIN 7500-1 Form C-5.8 ZnB	3	1
20	594 22 51-01	NIPPLE		1	1
21	595 11 34-01	WASHER	M12 ISO 7089 HV200-300 ZnB	1	1
22	595 11 17-01	SCREW	st4,2x13 DIN 7981-c	8	1
23	595 28 75-01	HEXAGON NUT	M6 ISO 4032 fzb	2	1
24	595 11 24-01	NUT	M5 DIN 985-8 zn	5	1
25	594 12 38-01	PLANE WASHER	M5 DIN 125b zn	8	1
26	595 03 66-01	WASHER		2	1
27	595 35 31-01	WASHER		2	1
28	594 12 52-01	PIPE CLAMP		2	1
29	594 16 93-01	ARM		1	1
30	594 22 61-01	LINK		2	1
31	594 24 57-01	KNOB		1	1, 11
32	594 25 02-01	CABLE		1	1
33	594 25 06-01	THROTTLE		1	1
34	594 64 23-01	WIRE		1	1

**H** BG 375 H6  
DECALS



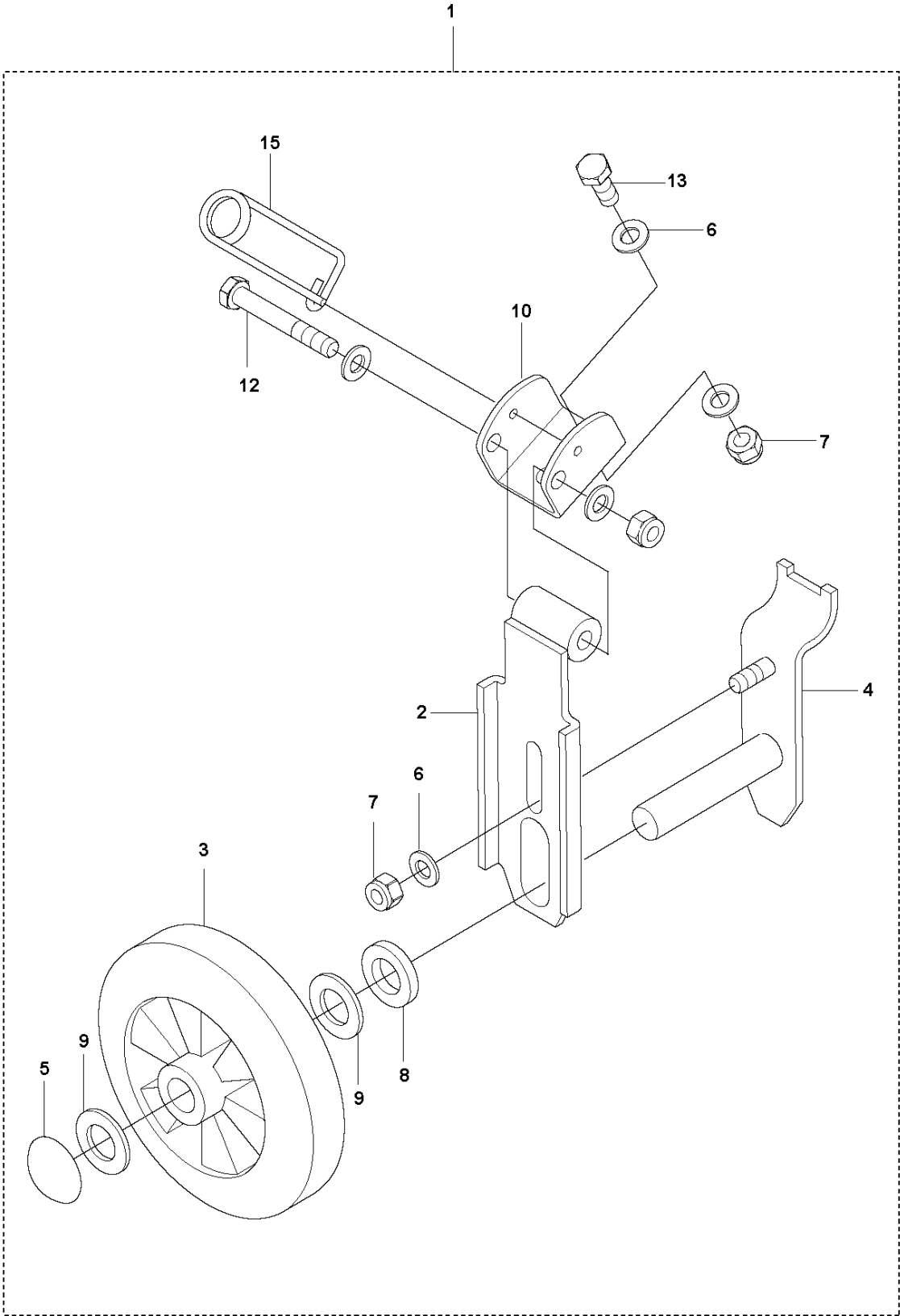


## DECALS

BG 375 H6, 967929001, 2019-04

Ref	Part No	Description	Remark	QTY KIT
1	594 24 58-01	DECAL	DECAL Blade Angle	1
2	594 65 96-01	LABEL	Safety	1
3	594 24 68-01	LABEL		1
4	595 11 91-01	DECAL		1
5	594 24 59-01	DECAL	Remove Floating Disc	1
6	594 66 09-01	LABEL	Lifting Point	1
7	594 86 97-01	LABEL	Safety, Read instruction	1
8	595 21 12-01	DECAL		1
9	594 16 30-01	DECAL	Cutting Hazard	1
10	595 09 73-01	DECAL	Brand	2
11	577 06 20-01	DECAL	Husqvarna logo	1

**J** BG 375 H6  
TRANSPORT DEVICE KIT

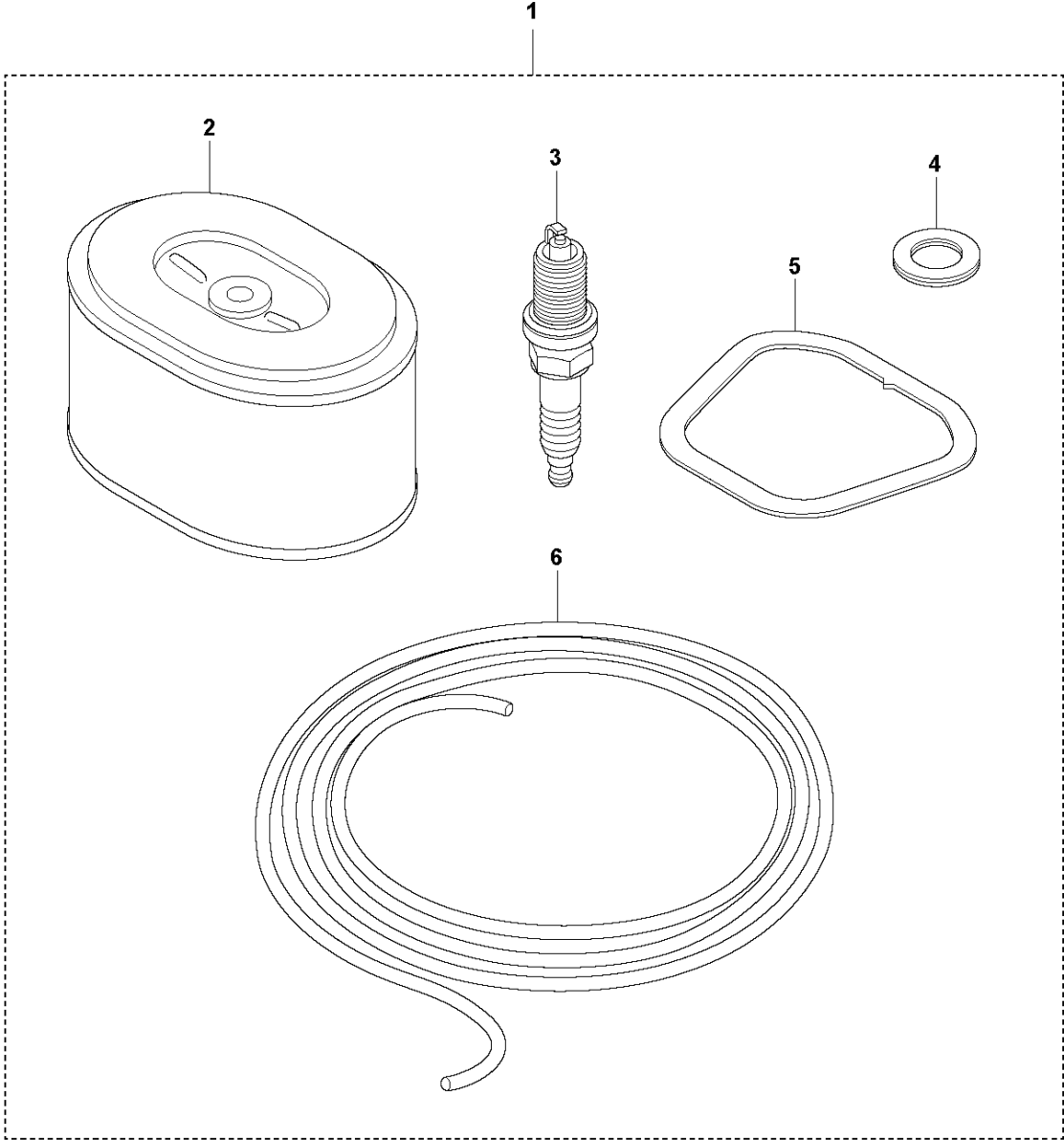


## TRANSPORT DEVICE KIT

BG 375 H6, 967929001, 2019-04

Ref	Part No	Description	Remark	QTY KIT	
1	594 75 15-01	TRANSPORT WHEEL	Transport device kit	1	
2	595 50 27-01	ARM		1	1
3	596 86 59-53	WHEEL		1	1
4	595 12 28-01	BRACKET		1	1
5	594 76 89-01	WASHER		1	1
6	595 11 33-01	WASHER	M10 ISO 7089 A2K 200 HV	7	1
7	594 12 29-01	LOCK NUT	M10 ISO 10511	4	1
8	594 12 43-01	WASHER	M20 DIN 6796 FZM-Y	1	1
9	596 86 59-57	WASHER	M20 ISO 7090 FZV 200HB	2	1
10	595 52 65-01	ATTACHMENT PLATE		1	1
12	596 88 97-10	SCREW	M10 x 70 DIN 931 - 8.8 zn	1	1
13	595 07 11-01	SCREW	M10x25 CL8.8 DIN933	2	1
15	594 16 18-01	PIN		1	1

**K** BG 375 H6  
SERVICE KIT - HONDA GX 160/200

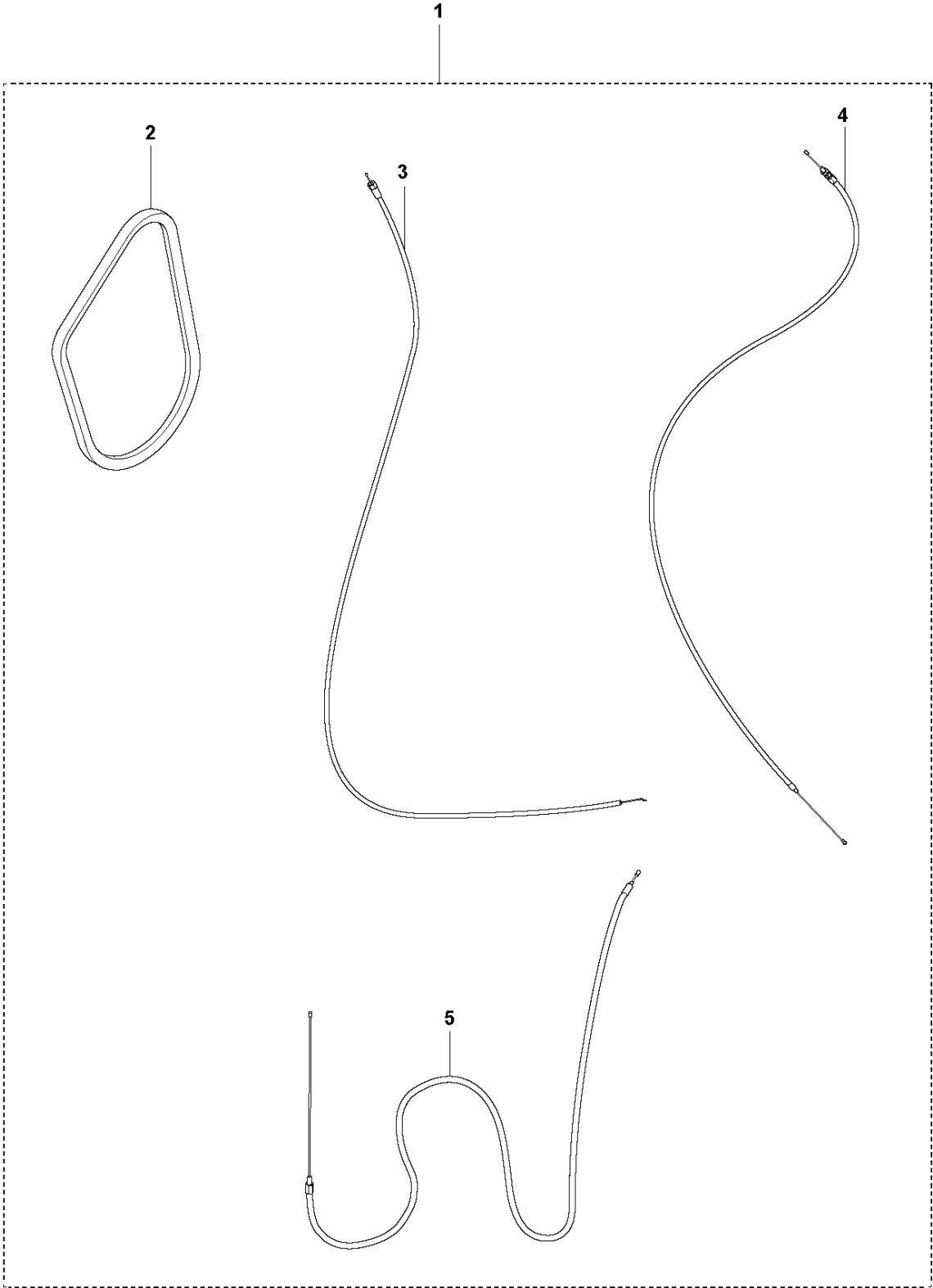


## SERVICE KIT

BG 375 H6, 967929001, 2019-04

Ref	Part No	Description	Remark	QTY KIT	
1	594 20 02-01	SERVICE KIT		1	
2	594 30 21-01	AIR FILTER		1	1
3	594 54 43-01	SPARK PLUG	BPR6ES (NGK)	1	1
4	595 04 89-01	GASKET		1	1
5	594 31 30-01	GASKET		1	1
6	595 04 91-01	ROPE		1	1

**L** BG 375 H6  
MAINTENANCE KIT - HONDA GX 160/200 L



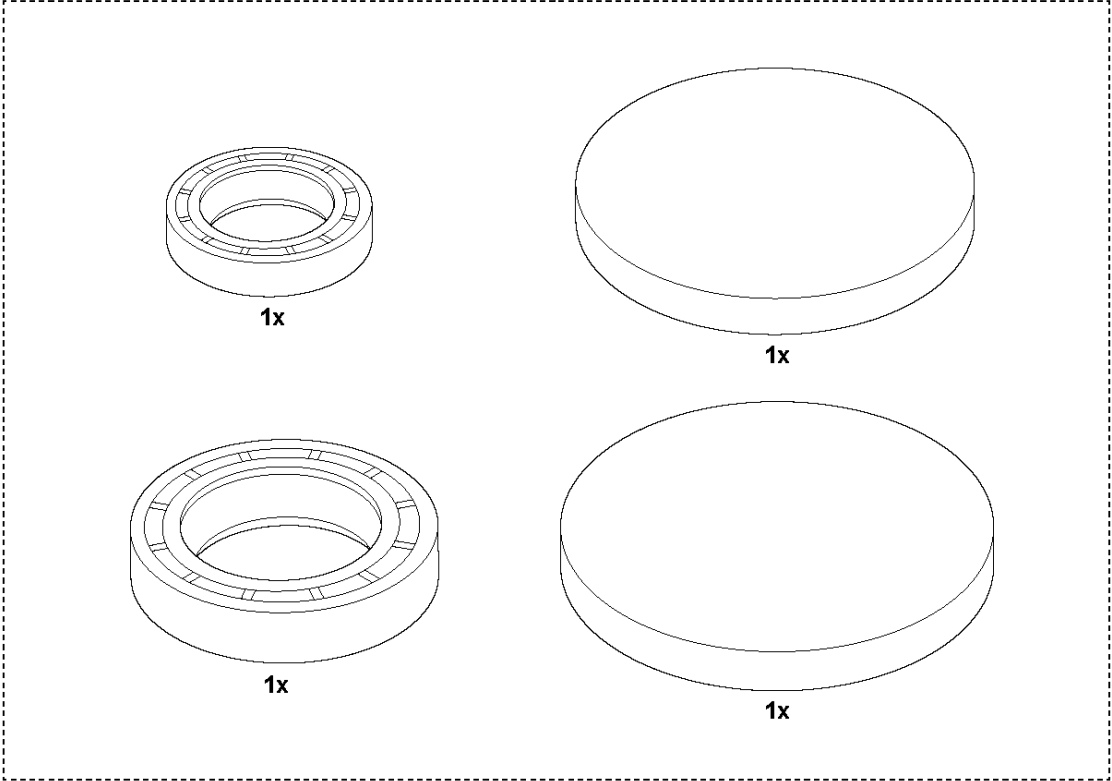
MAINTENANCE KIT

BG 375 H6, 967929001, 2019-04

Ref	Part No	Description	Remark	QTY KIT	
1	596 86 57-42	SERVICE KIT		1	
2	594 23 06-01	V-BELT		1	1
3	594 25 06-01	THROTTLE	Throttle wire	1	1
4	594 25 02-01	CABLE	Clutch	1	1
5	594 64 23-01	WIRE	Blade Adjusting	1	1

**M** BG 375 H6  
GEARBOX SEAL KIT

1





GEARBOX SEAL KIT

BG 375 H6, 967929001, 2019-04

Ref	Part No	Description	Remark	QTY KIT
1	594 20 69-01	SEAL	Gearbox seal kit (seals & plugs)	1