

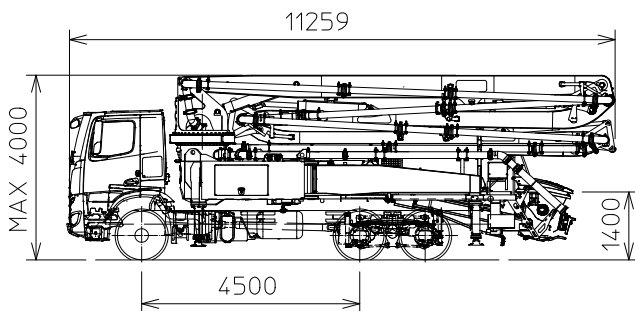
## K36L

### TRUCK-MOUNTED CONCRETE BOOM PUMP

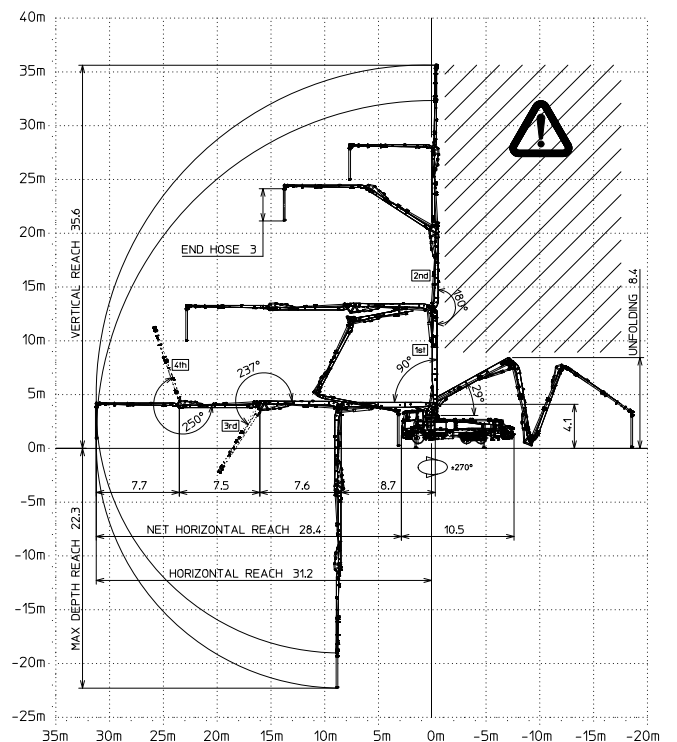
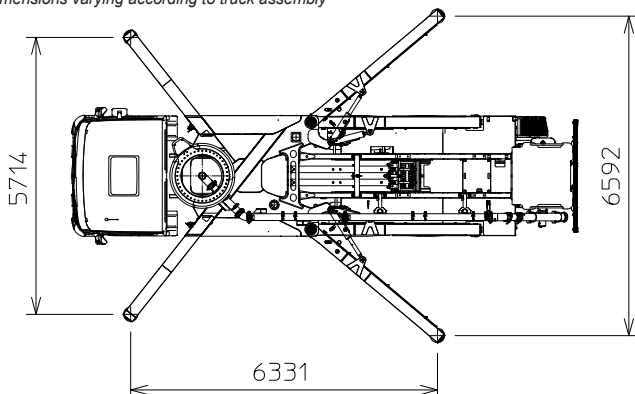
Placing boom	B4Z 36/32
Pumping unit	HP1608EC HP1606H
Driven by	PTO
Chassis	3-4 axles



### Dimensions



Dimensions varying according to truck assembly



## K36L

### Standard equipment

- Assembling on standard 3 axles chassis
- Self-supporting frame, torsion free, FEM designed and fatigue tested at the test bench TEC CIFA
- Articulated boom, FEM designed and and fatigue tested at the test bench TEC CIFA
- Placing boom B4Z 36/32, 4 sections, "Z" folding system
- Fully hydraulic outrigger controls on both sides of the truck
- Front "X" style diagonal outriggers with single telescopic opening and swing-out rear outriggers for a quick and easy set-up also in narrow areas
- "Load Sensing" proportional boom control for pumping unit HP-C
- Concrete flow rate regulator
- Safety device on opening inspection hatch
- Pumping unit with closed loop (HP1608EC) or open loop (HP1606H)
- Project conforms to Directive Machinery 2006/42/CE
- 2 Proportional radio control Hetronic 3 joystick. 20 mt cable
- Double thickness concrete pipes, in high resistant steel and insert carbide chrome - CIFA Long Life Pipes
- Emergency control pad for pumping unit HP-C
- Remote controlled electric vibrator placed on the concrete hopper grid
- Centralized lubrication system for pumping unit
- Automatic oil lubrication system for pumping pistons
- Additional manual lubrication system for pumping pistons
- Hard plastic outrigger support plates with relative housing
- Rear light on hopper
- Level readers for stabilization control
- Accessories for cleaning and pipes washing
- Fiber glass hopper covering

### Control System with pumping unit HP1608EC

- Smartronic Silver:
  - intergrated color LCD
  - counters
  - pumping unit management
  - diagnostic
  - capsense rear panel

### Control System with pumping unit HP1606H

- Easytronic Silver:
  - intergrated LCD
  - counters
  - pumping unit management
  - diagnostic

### Main options

- Smartronic Gold (Smartronic Silver + ASC Advanced Stability Control)  
*(Available only with closed loop)*
- Easytronic Gold (Easytronic Silver + LSC Light Stability Control)  
*(Available only with open loop)*
- Pompa acqua ad alta pressione (28l/120 bar)
- High pressure water pump 28l / 120 bar
- Centralized lubrication system for placing boom
- Separated emergency engine kit for independent control of the concrete pumping unit, boom and water pump
- Double thickness boom straight pipes, in high resistant steel and insert carbide chrome - CIFA LLT Long Life Top
- Proportional radio control with display

### TRUCK-MOUNTED CONCRETE BOOM PUMP

<b>Placing boom</b>	B4Z 36/32
<b>Pumping unit</b>	HP1608EC HP1606H PTO
<b>Driven by Chassis</b>	3-4 axles

### Pumping unit technical data

Model		HP1608EC	HP1606H
Max. theoretical output	$m^3/h$	160	160
Max. pressure on concrete	$bar$	80	53
Conc. cylinders (diam. x stroke)	$mm$	230x2100	230x2100
Concrete hopper capacity	$l$	550	550
Hydraulic circuit		closed	open

### Placing boom technical data

Model		B4Z 36/32
Pipeline diameter	$mm$	125
Max. vertical reach	$m$	35,6
Max. horizontal distance (from center of slewing axis)	$m$	31.2
Min. unfolding height	$m$	8.4
Section numbers		4
1st section opening angle		90°
2nd section opening angle		180°
3rd section opening angle		237°
4th section opening angle		250°
Rotating angle		+/-270°
End hose lenght	$m$	3

Technical data and characteristics subject to modifications without notice