

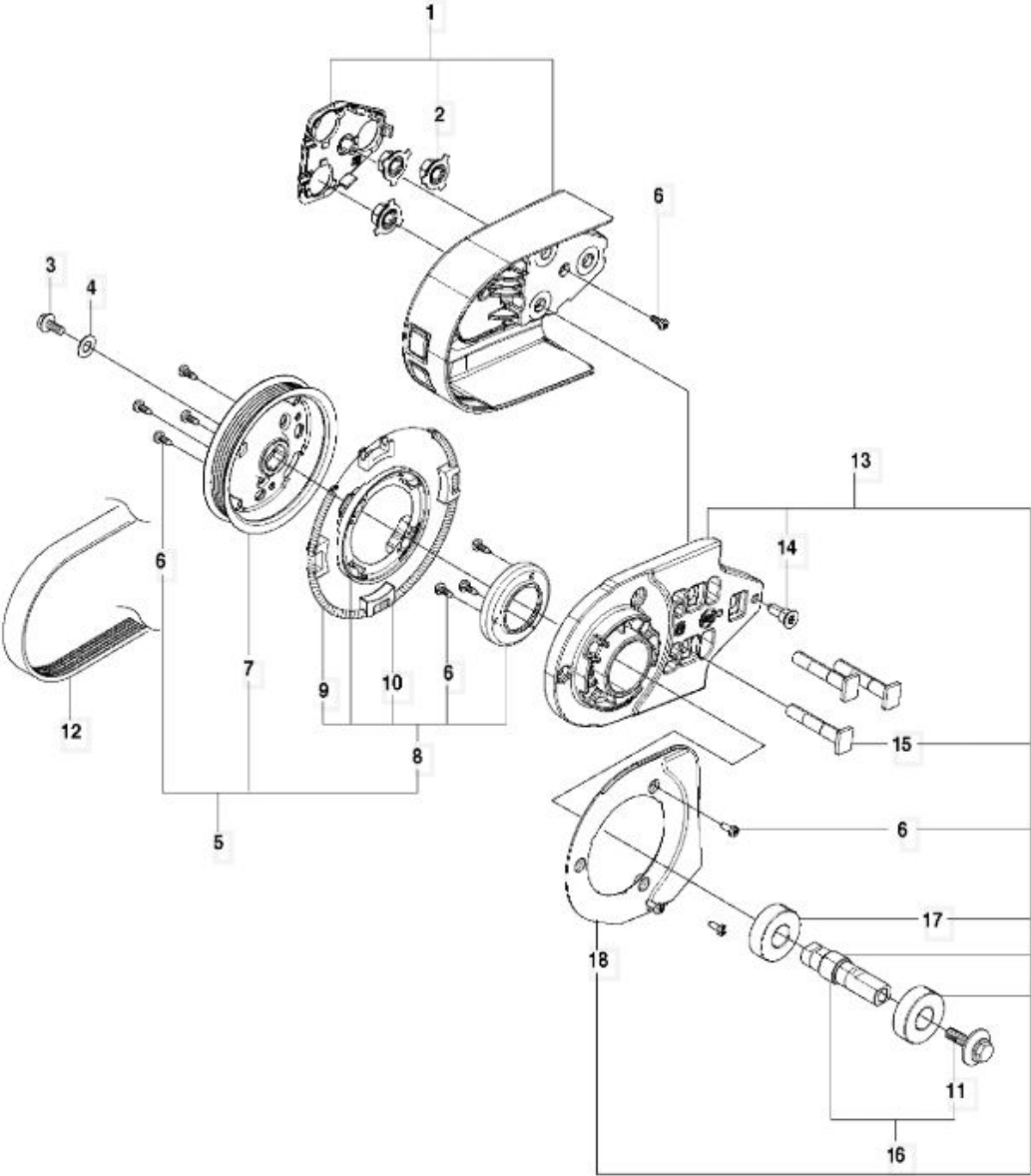
Husqvarna powercutter K770 and K970 are equipped with an automatic disc brake (8), which prevents cutting disk from turning for a long time after use.

This disc brake (8) consists of 4 brake shoes (10) which are pulled inwards by a tension spring (9).

Due to the higher weight of the GeoRipper chain this disc brake can fail prematurely, we observe a break of the tension spring and a resulting defect in the complete pulley (5).

A solution of the problem is to mount the pulley (7) without the brake (8).

A disc brake is not necessary with the GeoRipper, because the chain stops automatically within 1 sec. after use due to the higher weight of the GeoRipper chain.





Belt pulley, with disc brake (5) mounted, front and rear side



Belt pulley (7) and disc brake (8) dismantled, front and rear side

Husqvarna part numbers:

- | | |
|-----------------------------------|--------------|
| (5) Belt pulley with disk breake: | 588 47 04-03 |
| (7) Belt pulley single: | 590 89 58-01 |
| (8) Disk breake complete: | 505 44 54-05 |
| (9) Tension spring: | 544 44 10-01 |
| (10) brake shoes: | 544 44 04-02 |