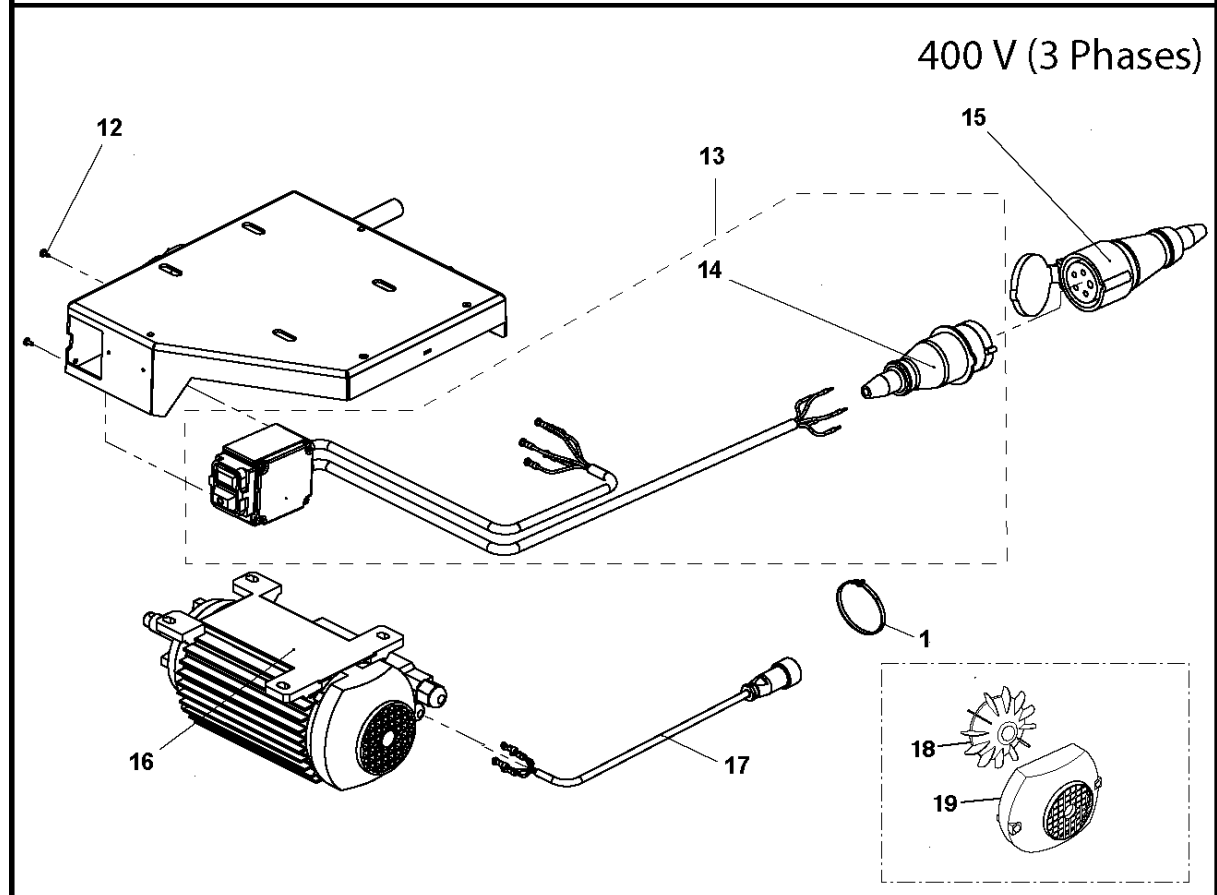
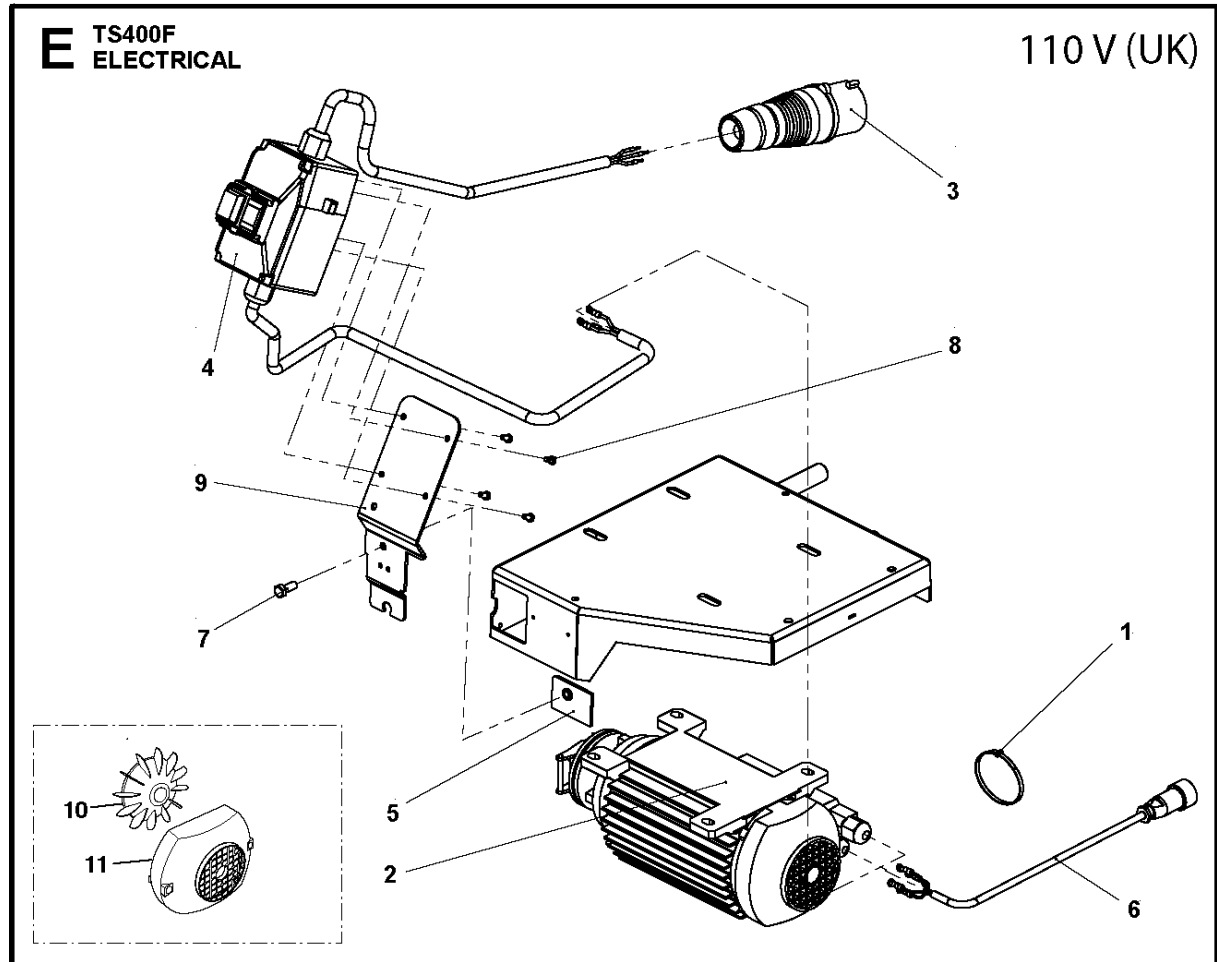




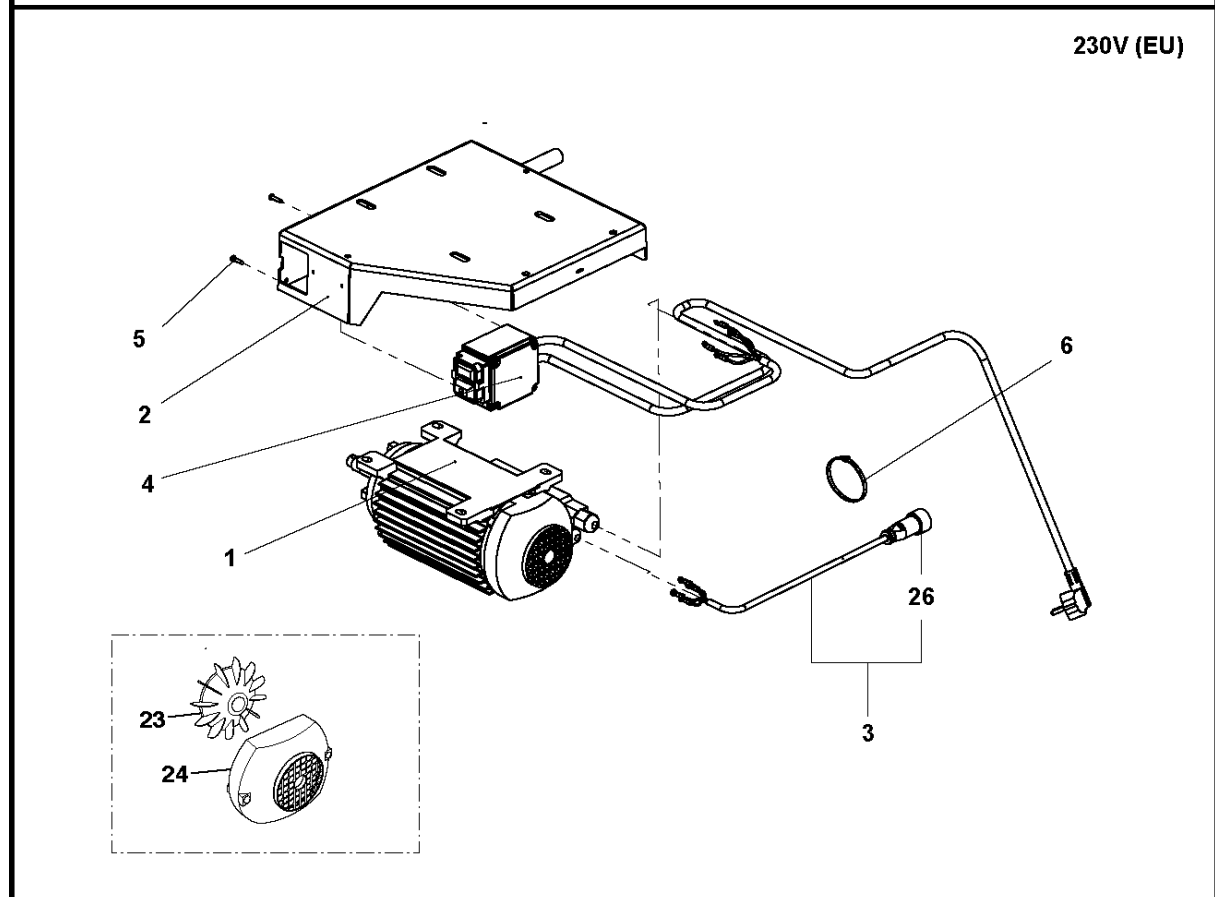
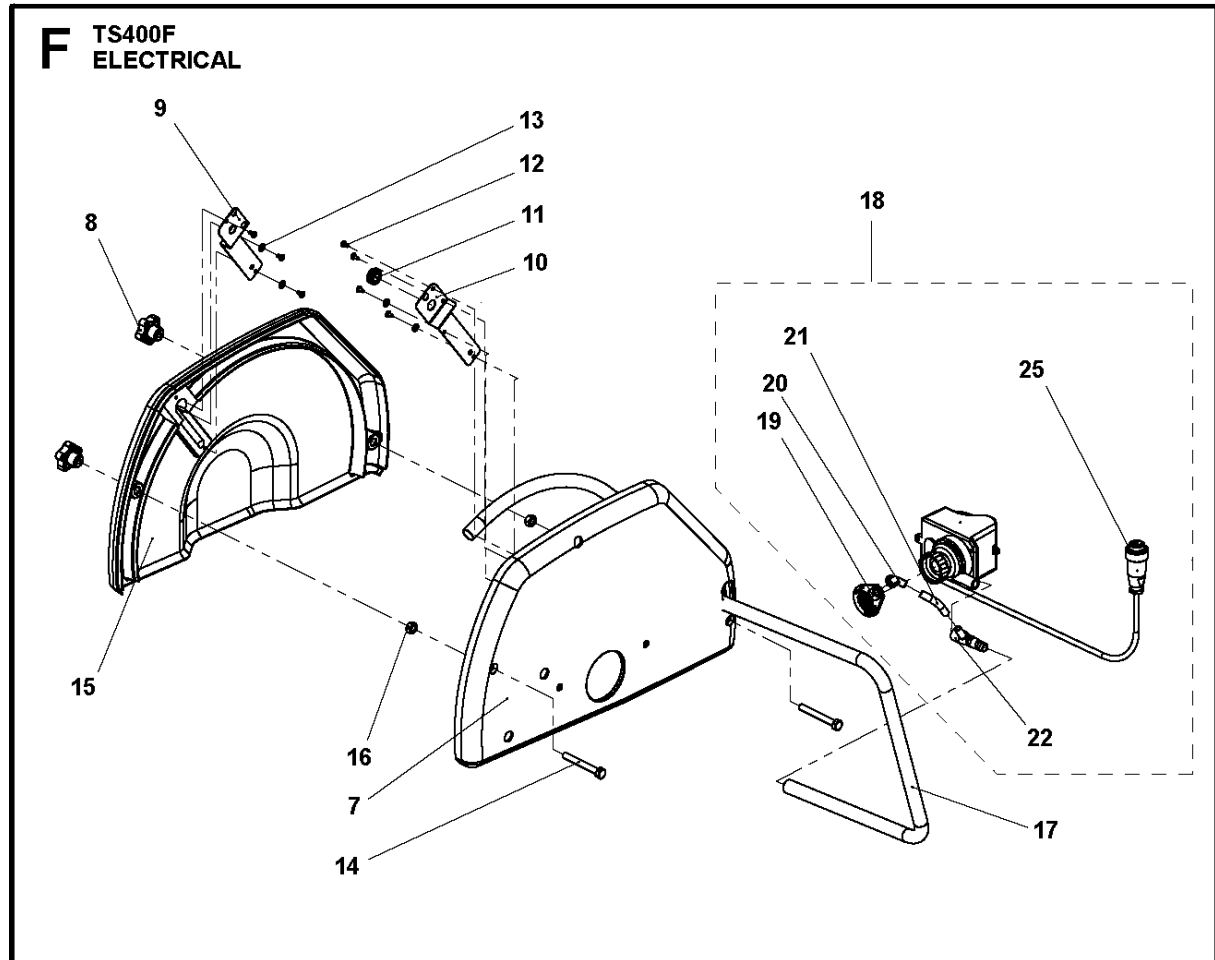
SPARE PARTS LIST

TILE SAWS

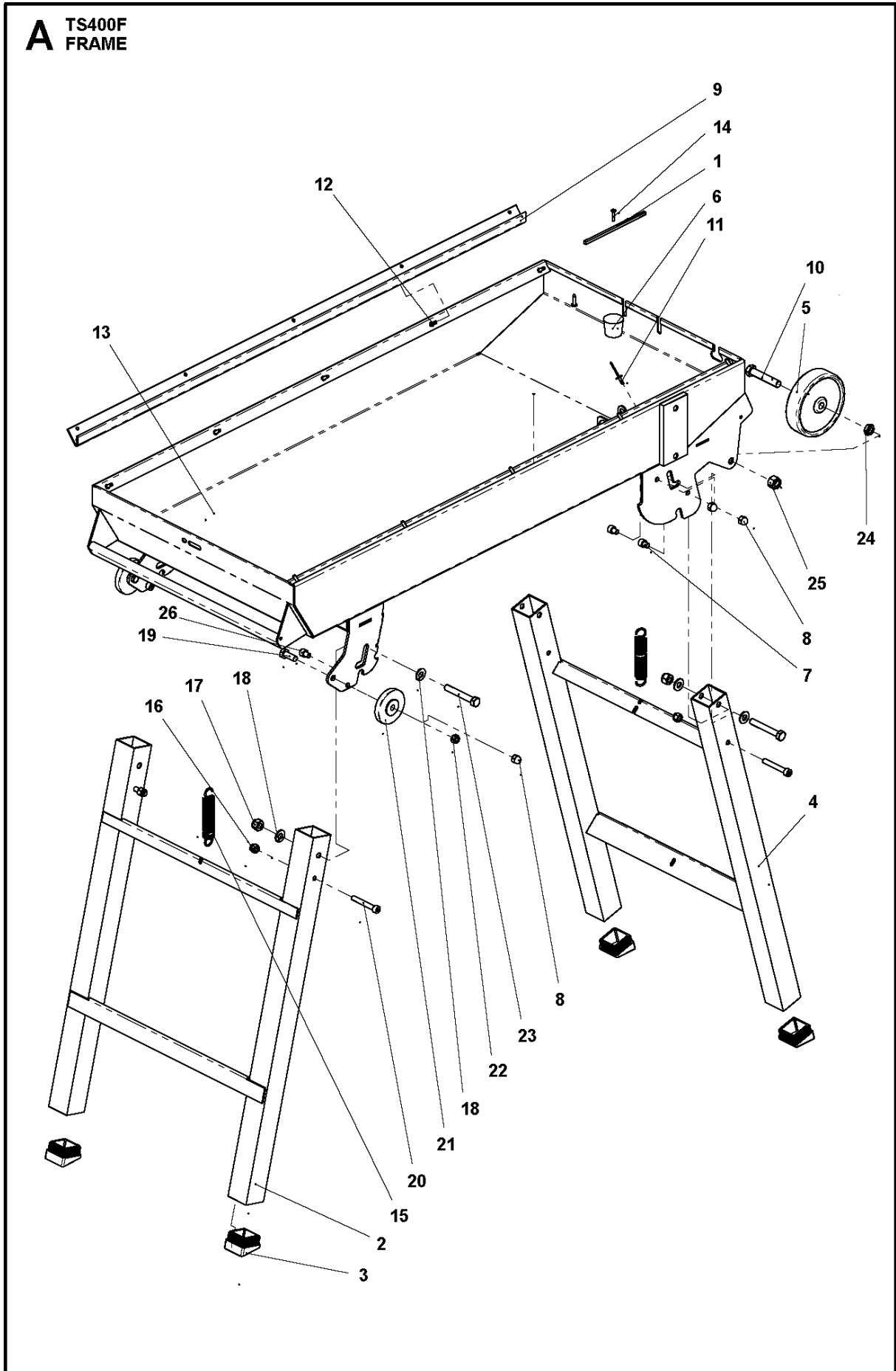
TS400 F, 2014-08



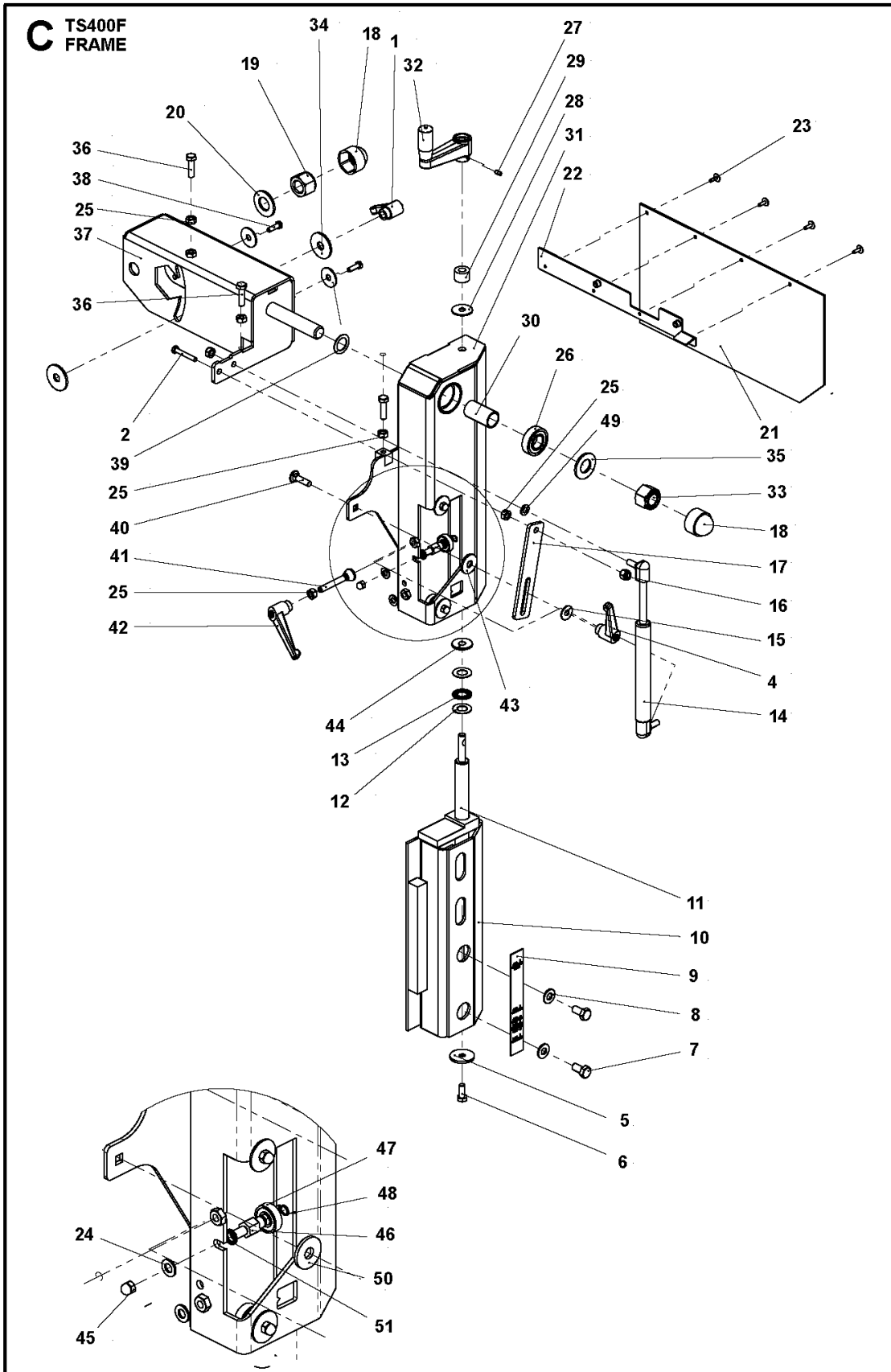
Ref	Part No	Description	Remark	QTY KIT
1	543 85 00-17	TIE STRAP		16
2	543 85 02-83	MOTOR		1
3	543 04 51-46	FICHE 2P+T 32A 110V 4H/PRESSE		1
4	543 07 15-77	SWITCH		1
5	543 06 99-74	TOLE DE SERRAGETS350F		1
6	506 57 75-01	WIRE ASSY		1
7	725 24 51-71	SCREW EHHM		1
8	725 23 27-71	SCREW EHHM		4
9	543 07 61-08	SUPPORT TRIPUS 110VTS400F		1
10	543 85 01-78	FLYWHEEL		1
11	543 85 01-79	ABDECKUNG		1
12	729 52 79-01	SCREW CRPANT		2
13	543 85 00-45	SWITCH	Compl. 3 phase 200V/400V	1
14	543 04 51-36	FICHE 16A 380V 3P+N+T 6H/AVEC	*	1
15	543 04 51-45	PROLONG. 3P+N+T 16A 6H/		1
16	543 85 01-83	MOTOR		1
17	506 57 75-01	WIRE ASSY		1
18	543 85 01-78	FLYWHEEL		1
19	543 85 01-79	ABDECKUNG		1



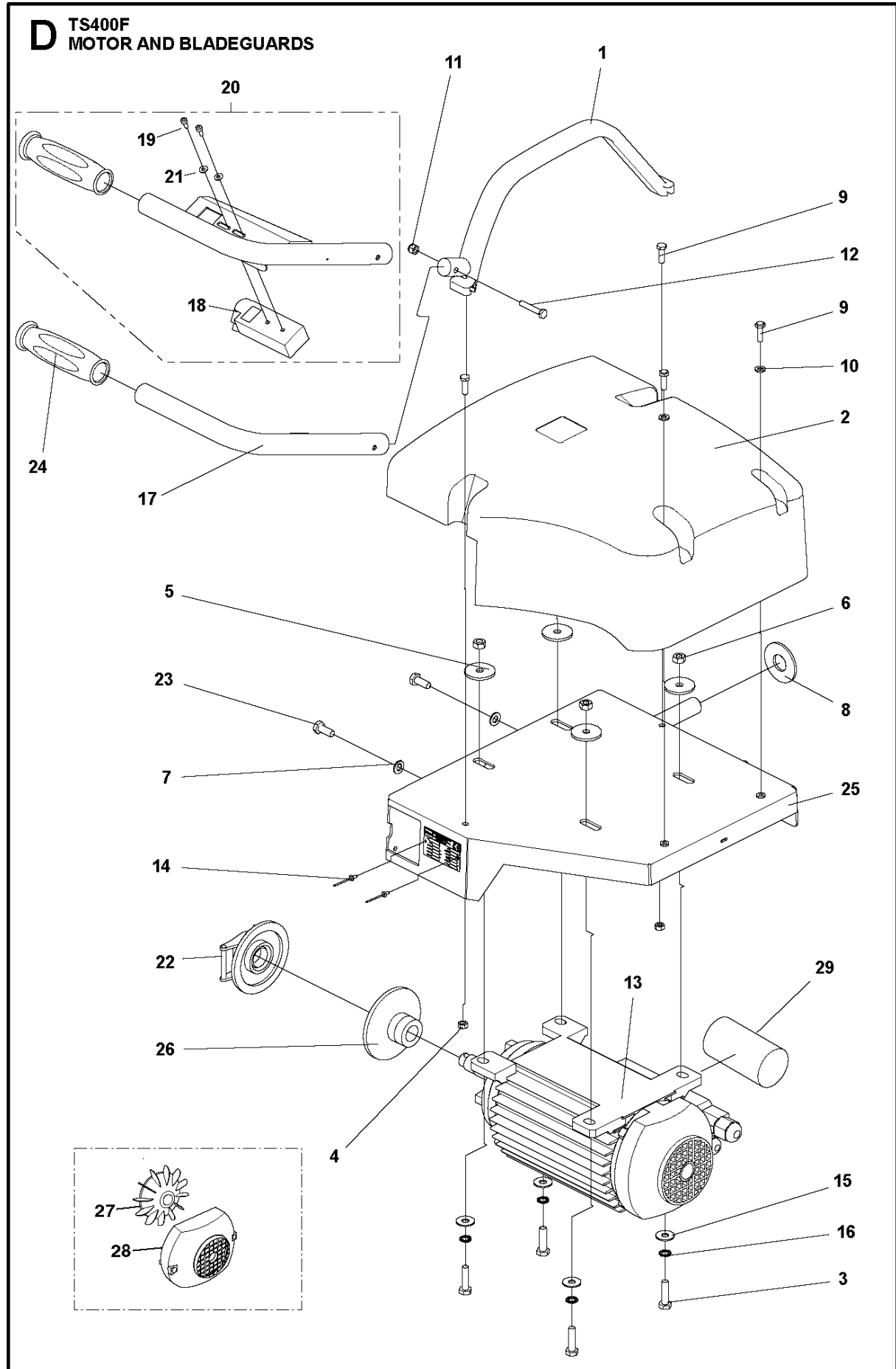
Ref	Part No	Description	Remark	QTY	KIT
1	543 85 01-80	MOTOR	(230V)	1	
2	540 06 55-01	MOTOR SUPPORT		1	
3	506 57 75-01	WIRE ASSY		1	
4	543 04 51-31	SWITCH		1	
5	729 53 46-01	SCREW		2	
6	543 85 00-17	TIE STRAP		8	
7	540 06 57-01	BLADE GUARD		1	
8	543 04 60-84	STEERING WHEEL		2	
9	543 07 51-06	WATER DISPENCER 1TS400F		1	
10	543 07 51-05	PLATE		1	
11	543 04 52-02	PASSE FIL DA 110X140X30/		1	
12	724 12 85-51	SCREW		7	
13	734 11 36-01	WASHER		4	
14	725 24 64-71	SCREW EHHM		2	
15	540 06 58-01	BLADE GUARD		1	
16	731 23 18-01	HEXAGON NUT		2	
17	543 04 55-80	HOSE	-1,6	1	
18	506 20 73-01	PUMP	Compl* (230V) EU	1	
18	506 20 73-02	PUMP	Compl* (115V) UK	1	
19	543 85 04-29	FILTER	*	1	
20	543 85 04-55	ADAPTATOR FOR FILTER	*	1	
21	543 04 55-77	HOSE	* (0,06)	1	
22	543 85 04-28	BYPASS TEE FOR PUMP 25W	*	1	
23	543 85 01-78	FLYWHEEL		1	
24	543 85 01-79	ABDECKUNG		1	
25	578 31 49-02	CONNECTOR		1	
26	578 31 49-01	CONNECTOR		1	3



Ref	Part No	Description	Remark	QTY KIT
1	543 07 44-39	CHAINE BT1 D/1.4	(0.15 mm)	1
2	544 94 93-01	LEGS		1
3	543 85 02-03	FEET PAD ON TS350E/TS400***543		4
4	544 94 94-01	LEGS		1
5	543 07 52-17	RAD		2
6	543 04 60-51	PLUG		1
7	725 54 45-01	SCREW IHSCM		4
8	543 04 47-66	NUT		6
9	543 06 99-72	SCHIENE		2
10	725 25 45-51	SCREW EHHM		2
11	722 79 43-02	RIVET		1
12	543 04 48-64	RIVET INOX 4.8X9/		10
13	540 06 54-01	TANK ASSY		1
14	729 53 46-01	SCREW		1
15	543 04 62-05	RESSORT N°34640/		2
16	732 25 18-01	HEXAGON LOCKING NUT		4
17	732 25 20-01	HEXAGON LOCKING NUT		4
18	734 11 72-01	WASHER		8
19	725 24 93-71	SCREW EHHM		2
20	725 54 62-01	SCREW IHSCM		4
21	543 04 65-74	GALET LISSE 65/10/24.8/		2
22	731 23 20-01	HEXAGON NUT		2
23	725 25 05-51	SCREW EHHM		2
24	731 43 22-01	HEXAGON THIN NUT		2
25	732 25 22-01	HEXAGON LOCKING NUT		2
26	725 54 45-01	SCREW IHSCM		2



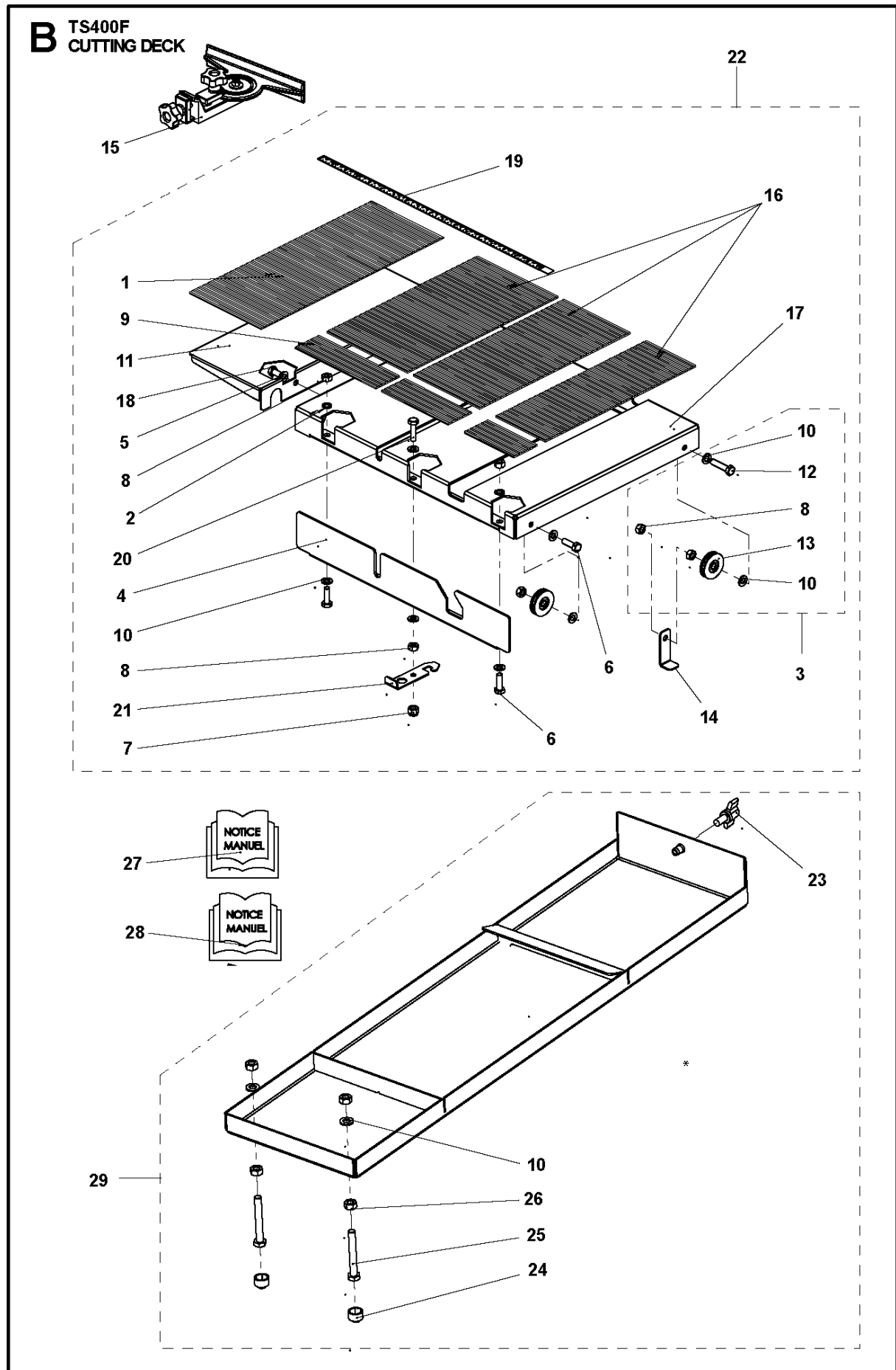
Ref	Part No	Description	Remark	QTY KIT
1	543 07 52-16	HANDLE		1
2	725 245 521	TBD		1
4	543 04 61-16	TURNING KNOB		1
5	543 04 66-47	WASHER		1
6	725 24 51-71	SCREW EHHM		1
7	725 24 91-71	SCREW EHHM		2
8	734 11 72-01	WASHER		2
9	543 85 00-36	RULER, HEIGHT ADJUSTBLADES (TS		1
10	543 07 44-33	STUETZE		1
11	543 07 43-86	SCREW		1
12	543 04 50-39	RONDELLE BUTEE AS 1528/		2
13	543 04 50-38	CAGE AIGUILLE AXK 1528 A/		1
14	543 07 52-14	SPRING		1
15	543 04 47-18	RONDELLE ACIER L8 BICHRO/		1
16	732 25 18-01	HEXAGON LOCKING NUT		1
17	543 07 43-36	SPERRE		1
18	543 04 60-55	CHAPEAU GPN 1000/1077/		2
19	732 21 26-01	STOP		1
20	543 04 02-17	WHEEL		1
21	543 07 43-94	SCHMUTZFAENGER		1
22	540 06 51-01	SUPPORT SHEET		1
23	722 79 43-02	RIVET		4
24	734 11 63-01	WASHER		2
25	731 23 18-01	HEXAGON NUT		6
26	543 04 50-04	**738210404**/		2
27	728 73 62-05	SCREW		1
28	543 85 00-72	SEPARATING LAYERS 3CARDBOARD 4		1
29	543 07 43-74	SPACING BLOCK		1
30	543 07 60-03	ABSTANDSSTUECK		1
31	540 06 56-01	ARM		1
32	543 04 38-60	CRANK		1
33	732 21 26-01	STOP		1
34	543 07 43-55	WASHER		2
35	543 04 02-17	WHEEL		1
36	725 24 55-71	SCREW EHHM		3
37	540 06 53-01	ARM		1
38	725 23 70-71	SCREW EHHM		2
39	543 85 00-55	SPACER		1
40	727 64 53-51	SCREW		1
41	543 07 52-15	SCREW		1
42	543 85 02-16	INDEXABLE HANDLE, NUT M8		1
43	543 04 48-97	ENTRETOISE 30/10.5/3/		1
44	543 07 43-75	SPACING BLOCK		1
45	543 04 47-66	NUT		3
46	543 07 43-82	BOLT		3
47	738 21 00-04	BALL BEARING		3
48	735 31 12-00	CIRCLIP		3
49	734 11 63-01	WASHER		1
50	543 04 48-97	ENTRETOISE 30/10.5/3/		2
51	735 21 64-01	LOCKWASHER		6



MOTOR AND BLADEGUARDS

TS400 F, 2014-08

Ref	Part No	Description	Remark	QTY KIT
1	540 06 47-01	HANDLE		1
2	540 06 46-01	COVER		1
3	725 24 55-71	SCREW EHHM		4
4	731 23 16-01	HEXAGON NUT		4
5	543 04 66-47	WASHER		4
6	731 23 18-01	HEXAGON NUT		4
7	734 11 63-01	WASHER		2
8	543 04 66-60	RONDELLE DE REGLAGE/		1
9	725 23 70-71	SCREW EHHM		4
10	734 11 52-01	WASHER		2
11	732 25 16-01	HEXAGON LOCKING NUT		1
12	725 23 76-71	SCREW EHHM		1
13	543 85 01-80	MOTOR	230V (EU)	1
13	543 85 01-95	MOTOR	230V (AUS)	1
13	543 85 01-83	MOTOR	400V	1
13	543 85 02-83	MOTOR	115V (UK)	1
14	722 78 18-03	RIVET		2
15	543 04 47-18	RONDELLE ACIER L8 BICHRO/		4
16	735 21 64-01	LOCKWASHER		8
17	540 06 61-01	HANDLE		1
18	543 08 07-59	POINTER		1
19	725 52 89-01	SCREW IHSCM		2
20	540 06 62-01	HANDLE KIT	Until s/n 2015 3200019	1
21	734 11 36-01	WASHER		2
22	543 04 33-57	NUT		1
23	725 24 51-71	SCREW EHHM		2
24	543 04 56-54	HANDLE		1
25	540 06 55-01	MOTOR SUPPORT		1
26	543 85 01-73	FLANGE		1
27	543 85 01-78	FLYWHEEL		1
28	543 85 01-79	ABDECKUNG		1
29	543 85 01-76	CAPACITOR	"230V ""Capacitor 35_F for 2.2Kw motor""	1
29	543 09 26-10	CAPACITOR	"110V ""Capacitor 25_F for 1.1Kw motor"	1



MOWER DECK / CUTTING DECK

TS400 F, 2014-08

Ref	Part No	Description	Remark	QTY KIT
1	543 07 43-93	VERLAENGERUNG		1
2	735 21 64-01	LOCKWASHER		2
3	543 04 99-56	ROLLER	Compl*	
4	540 06 48-01	MATERIAL STOP/		1
5	734 11 63-01	WASHER		2
6	725 24 53-71	SCREW EHHM		4
7	732 25 18-01	HEXAGON LOCKING NUT		1
8	731 23 18-01	HEXAGON NUT		11
9	543 04 62-80	TAPIS AV STRIE ADHESIF/TS400F		1
10	734 11 63-01	WASHER		14
11	540 06 52-01	TABLE EXTENTION		1
12	725 24 57-71	SCREW EHHM		2
13	543 04 63-00	WHEEL		4
14	543 04 33-23	RETENUE DE TABLE/TS 350 F		2
15	543 04 61-46	GUIDE		1
16	543 04 62-81	TAPIS AR STRIE ADHESIF/		1
17	540 06 49-01	TABLE		1
18	725 24 49-71	SCREW EHHM		2
19	543 85 00-47	RULER, LEFT, TS400F		1
19	543 85 00-49	RULER, MIDDLE, TS400FTS400F		1
19	543 85 00-50	RULER, RIGHT, TS400FTS400F		1
20	725 24 55-71	SCREW EHHM		1
21	544 94 87-01	PIVOTING STOP/		1
22	540 06 50-01	TABLE		2
23	543 04 60-90	GALET GP/34 8X15 6310075/		1
24	543 04 60-52	CHAPEAU GPN 1000/893/		2
25	725 24 63-51	SCREW EHHM		2
26	731 23 18-01	HEXAGON NUT		4
27	115 03 26-20	OPERATOR'S MANUAL		1
28	115 03 27-20	ILLUSTRATED PARTS LIST		1
29	540 06 60-01	TANK UNIT ASSY	Compl *	1