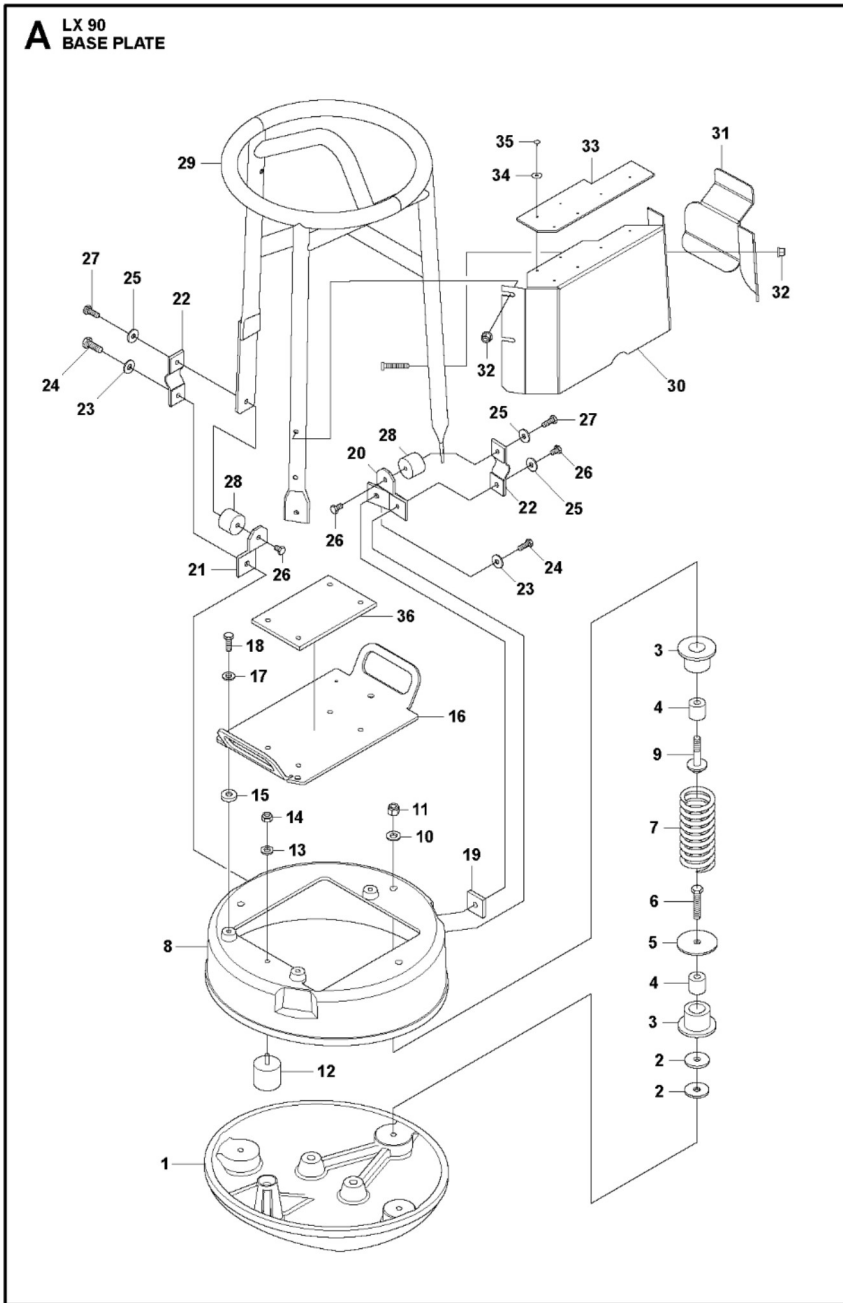


## SPARE PARTS LIST

LIGHT COMPACTION

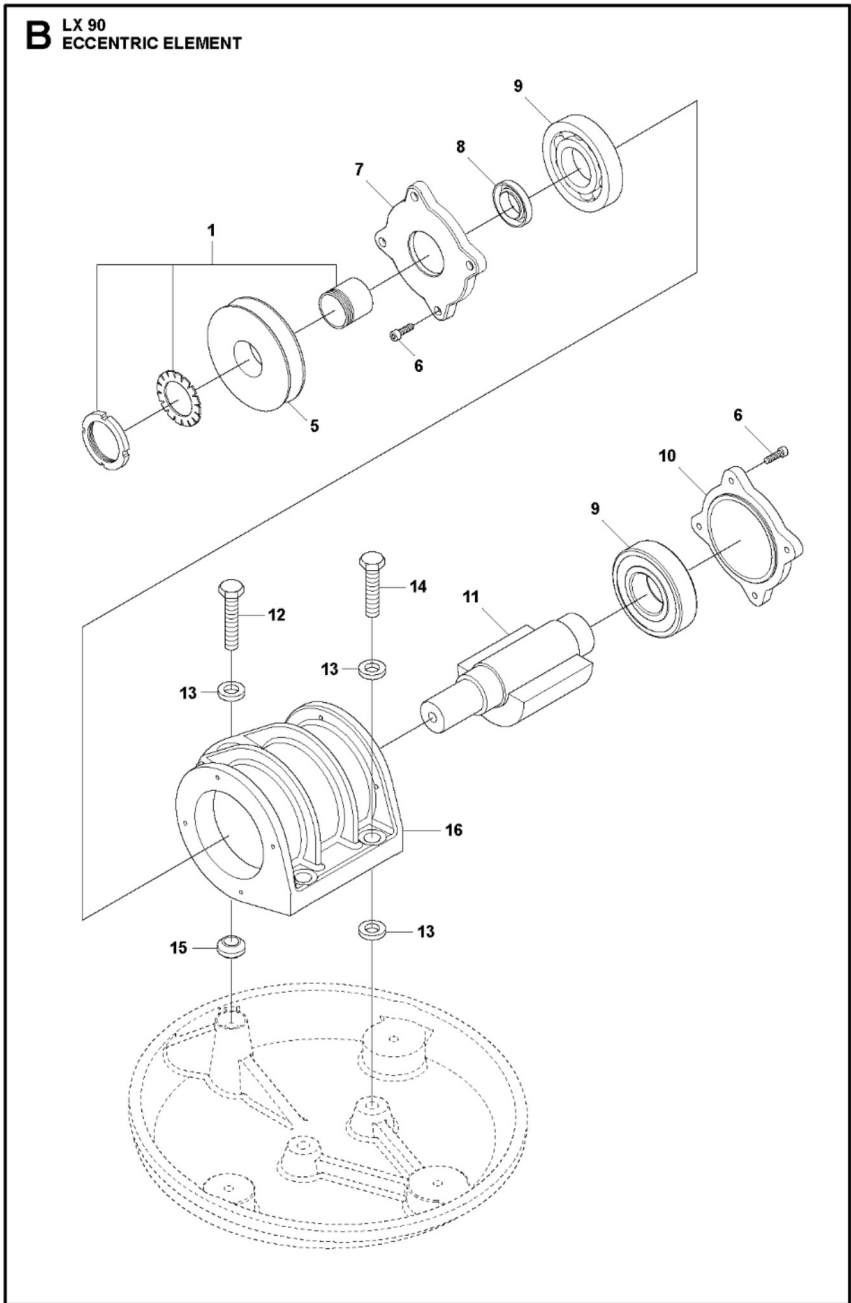
LX 90, 967897101, 2019-06



## BASE PLATE

LX 90, 967897101, 2019-06

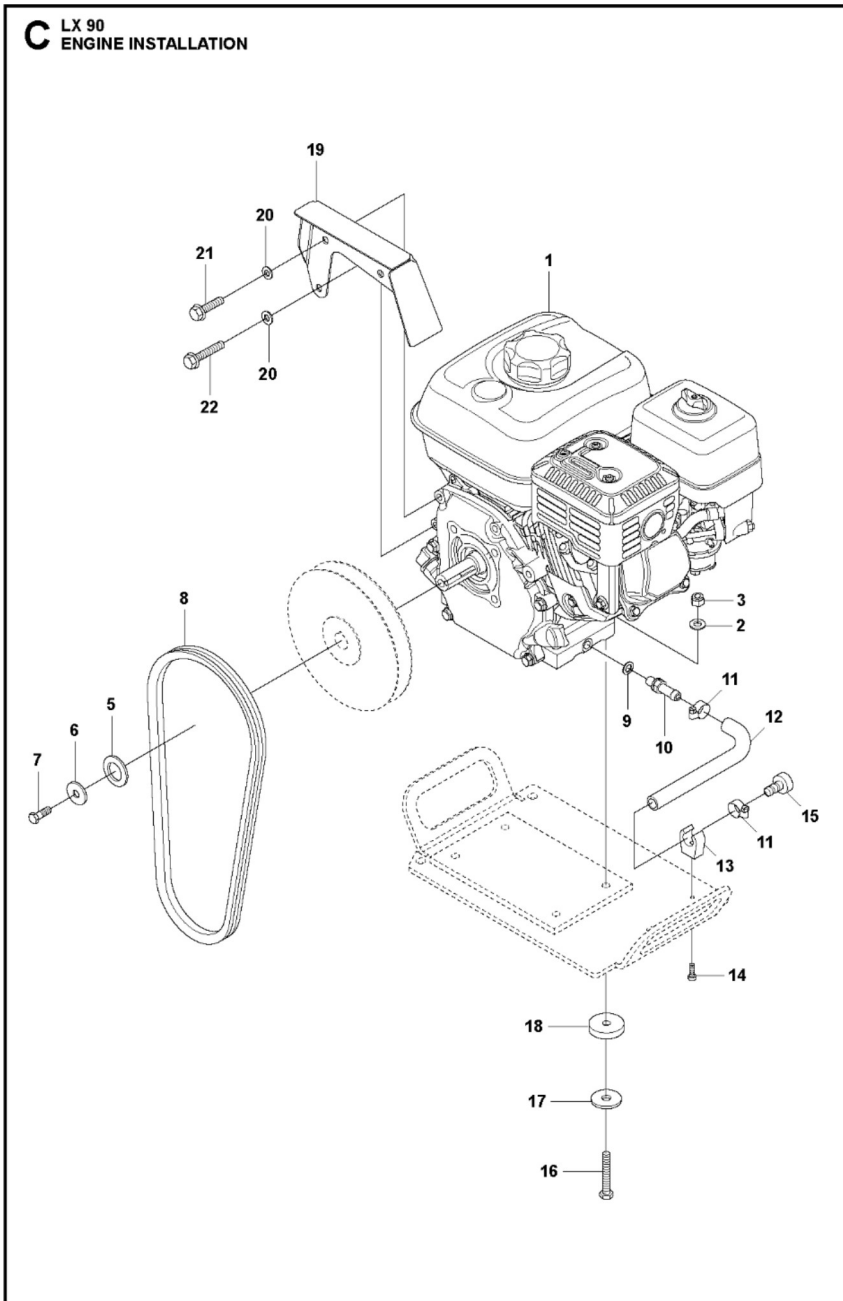
Ref	Part No	Description	Remark	QTY KIT
1	595 05 24-01	PLATE		1
2	594 15 70-01	WASHER		5
3	594 15 68-01	BUSHING		6
4	594 15 69-01	SPACER		6
5	594 51 48-01	WASHER		3
6	594 11 93-01	BOLT	M12x60 mm 8.8 A3K	3
7	594 34 62-01	SPRING		3
8	594 15 57-01	ENGINE		1
9	594 15 72-01	SCREW		3
10	595 06 68-01	WASHER	13x24x2 mm 300 HV	3
11	595 11 27-01	NUT		3
12	594 15 67-01	ABSORBER		1
13	595 06 66-01	WASHER	8.4x 6x1.5 mm 300HV	1
14	595 35 23-01	NUT	M8	1
15	595 06 76-01	WASHER	10.5x28x6 mm	3
16	595 45 34-01	ENGINE PLATE		1
17	595 06 67-01	WASHER		3
18	595 07 11-01	SCREW		3
19	595 46 69-01	WASHER	14 x 40 x 4 mm, 0.55 x 1.57 x 0.16	1
20	594 15 71-01	BRACKET		1
21	594 15 66-01	BRACKET		2
22	594 15 58-01	STRAP		3
23	595 06 74-01	WASHER	10.5x22x4 mm 300 HV	3
24	595 05 44-01	SCREW	M10x30	3
25	595 11 29-01	WASHER	8.4x26x4 mm 300 HV	4
26	596 88 97-07	SCREW		4
27	595 05 54-01	SCREW	M8x20 mm 8.8 A2K	3
28	594 42 90-01	ABSORBER		3
29	594 17 46-01	HANDLE		1
30	594 96 09-01	BELT GUARD		1
31	594 34 52-01	GUARD		1
32	594 12 30-01	LOCK NUT	M8x1.25 mm A2K	4
33	594 15 75-01	SHROUD		1
34	595 18 91-01	WASHER	5x19x1 mm Expired/Eliminated	6
35	595 18 77-01	RIVET		6
36	594 15 73-01	ABSORBER		1



## ECCENTRIC ELEMENT

LX 90, 967897101, 2019-06

Ref	Part No	Description	Remark	QTY KIT
1	594 15 62-01	CLAMPING SLEEVE		1
5	594 15 64-01	PULLEY		1
6	595 34 80-01	SCREW	M6 x 20 mm 8.8 A2K	8
7	595 12 20-01	COVER		1
8	595 04 46-01	SEALING RING		1
9	594 15 61-01	BALL BEARING		2
10	595 12 19-01	COVER		1
11	594 15 63-01	SHAFT		1
12	595 07 05-01	SCREW	M16 x 75 mm 10.9 GEOMET®	1
13	595 06 75-01	WASHER	17 x 30 x 6 mm, 0.70 x 1.18 x 0.24 in. 300 HV	5
14	595 07 03-01	SCREW	M16 x 65 mm 10.9 GEOMET®	2
15	595 12 21-01	WASHER		1
16	595 12 18-01	EXCENTER		1



## ENGINE INSTALLATION

LX 90, 967897101, 2019-06

Ref	Part No	Description	Remark	QTY	KIT
1	594 32 99-01	ENGINE	Honda GX160UT2 SXS4 SD	1	
2	595 03 66-01	WASHER	8.4 x 16 x 1.5 mm, 0.33 x 0.63 x 0.06 in. 300 HV	4	
3	595 35 23-01	NUT	M8	4	
5	595 06 70-01	WASHER	21 x 36 x 3 mm, 0.83 x 1.42 x 0.24 in. 300 HV	1	
6	595 11 29-01	WASHER	8.4 x 26 x 4 mm, 0.33 x 1.02 x 0.16 in. 300 HV	1	
7	594 11 79-01	SCREW	M8 x 20 mm 8.8 A2K	1	
8	594 29 90-01	V-BELT		1	
9	595 29 03-01	WASHER	10 x 14 x 1 mm, 0.39 x 0.55 x 0.04 in.	1	
10	594 64 82-01	HOSE CONNECTOR		1	
11	595 45 46-01	CLAMP	11-18 x 9 mm, 0.43-0.71 x 0.35 in.	2	
12	594 14 78-01	HOSE		1	
13	594 33 10-01	CLIP		1	
14	595 03 32-01	SCREW	M6x16	1	
15	594 14 73-01	PLUG		1	
16	595 05 57-01	SCREW	M8 x 55 mm 8.8 A2K	4	
17	594 50 16-01	WASHER	9 x 35 x 2 mm, 0.35 x 1.38 x 0.08 in. SR	4	
18	594 15 74-01	WASHER		4	
19	595 21 31-01	COVER		1	
20	595 04 39-01	WASHER	8 x 13,5 mm, 0.53 x 0.31 x in. NORD-LOCK®	7	
21	594 12 00-01	SCREW	M8 x 25 mm 8.8 A2K	1	
22	595 28 71-01	SCREW	M8x50	3	

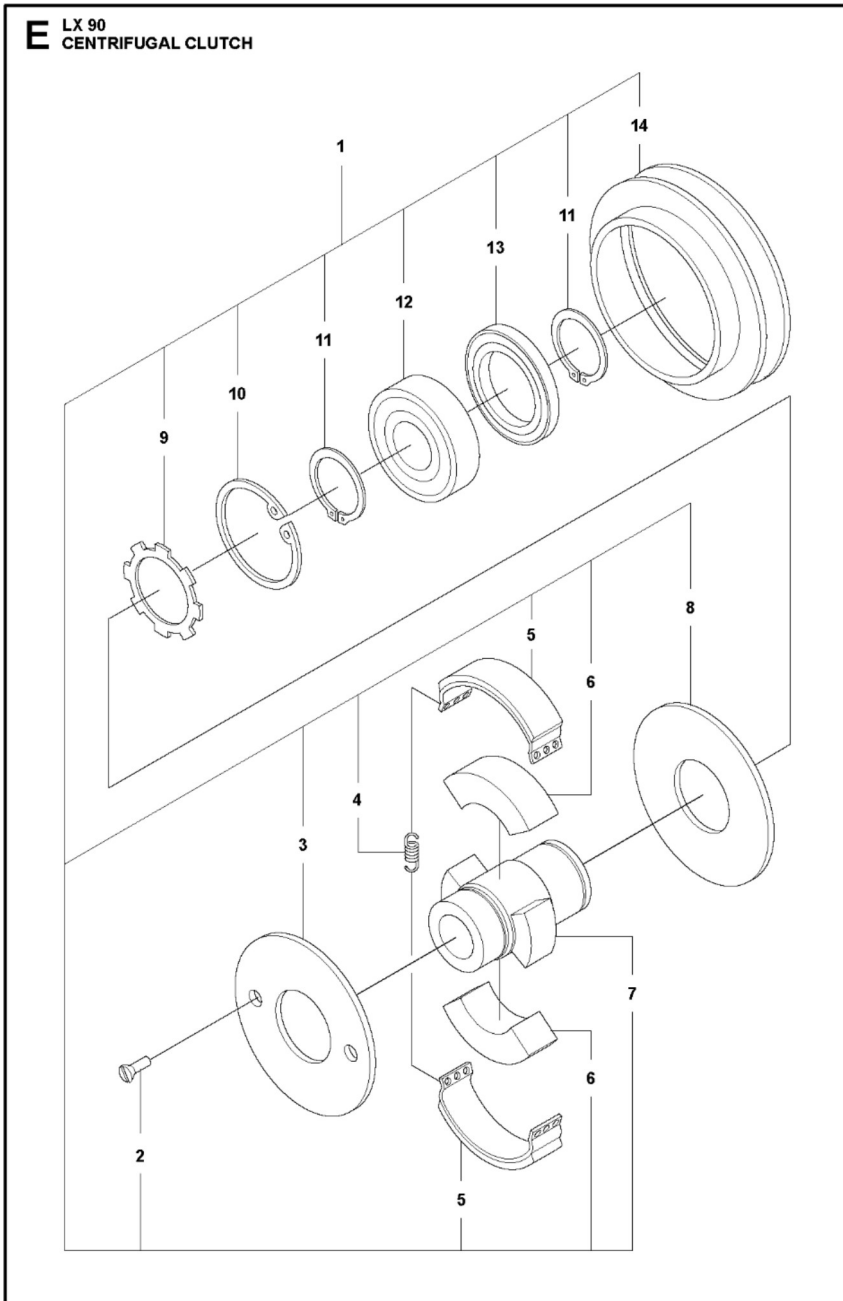




## ENGINE

LX 90, 967897101, 2019-06

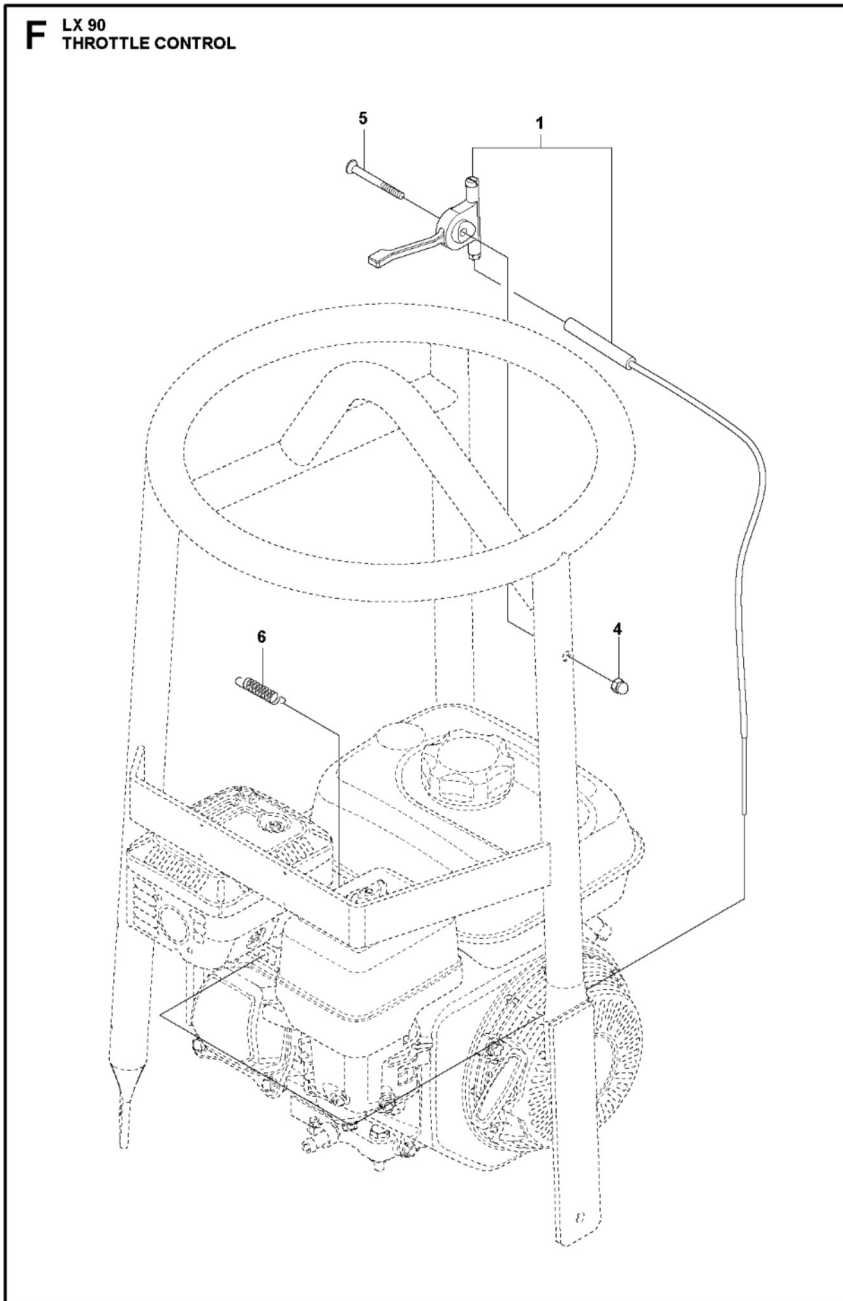
Ref	Part No	Description	Remark	QTY	KIT
1	594 32 99-01	ENGINE	Honda GX160UT2 SXS4 SD	1	
2	594 20 36-01	INLET SILENCER		1	1
3	594 20 41-01	GASKET		1	1
4	594 30 04-01	GASKET		1	1
5	594 20 40-01	SPARK PLUG	(bpr6es) (ngk)	1	1
6	594 20 38-01	OIL		1	1
7	594 20 39-01	GASKET		1	1
8	595 47 11-01	COVER		1	1
9	595 04 88-01	GASKET		1	1
10	594 20 46-01	FUEL CAP		1	1
11	594 20 45-01	FUEL TANK		1	1
12	594 20 44-01	STOP		1	1
13	595 45 28-01	PLUG		1	1
14	595 04 89-01	GASKET		1	1
16	594 57 26-01	GASKET		1	1
17	594 20 37-01	CARBURETTOR		1	1
18	595 07 00-01	SPACER		1	1
19	595 04 93-01	NUT		1	1
20	595 04 92-01	COVER		1	1
21	595 04 93-01	NUT		1	1
22	595 04 94-01	GASKET		1	1
23	594 30 21-01	AIR FILTER	Delivered with outer and inner filter.	1	1
24	594 58 24-01	ADAPTER		1	1
25	594 30 02-01	MUFFLER COVER		1	1
26	594 30 06-01	STARTER	Valid up to engine serial number 1411005, Red	1	1
36	595 04 91-01	ROPE		1	1, 26
37	594 20 48-01	STARTER	"recoil ""nh1"", Valid from engine serial number 1411006, Black"	1	1
47	595 04 91-01	ROPE		1	1, 37



## CENTRIFUGAL CLUTCH

LX 90, 967897101, 2019-06

Ref	Part No	Description	Remark	QTY	KIT
1	594 15 65-01	CENTRIFUGAL CLUTCH		1	
2	595 05 93-01	SCREW		2	1
3	594 14 76-01	CLUTCH COVER		1	1
4	594 58 36-01	SPRING		4	1
5	595 45 32-01	CLUTCH		2	1
6	594 14 77-01	CLUTCH		2	1
7	595 15 99-01	CLUTCH		1	1
8	594 31 31-01	COVER		1	1
9	594 30 88-01	RING		1	1
10	594 58 44-01	RING		1	1
11	594 58 45-01	RING		2	1
12	594 58 43-01	BALL BEARING		1	1
13	594 26 37-01	RING		1	1
14	594 58 04-01	PULLEY		1	1

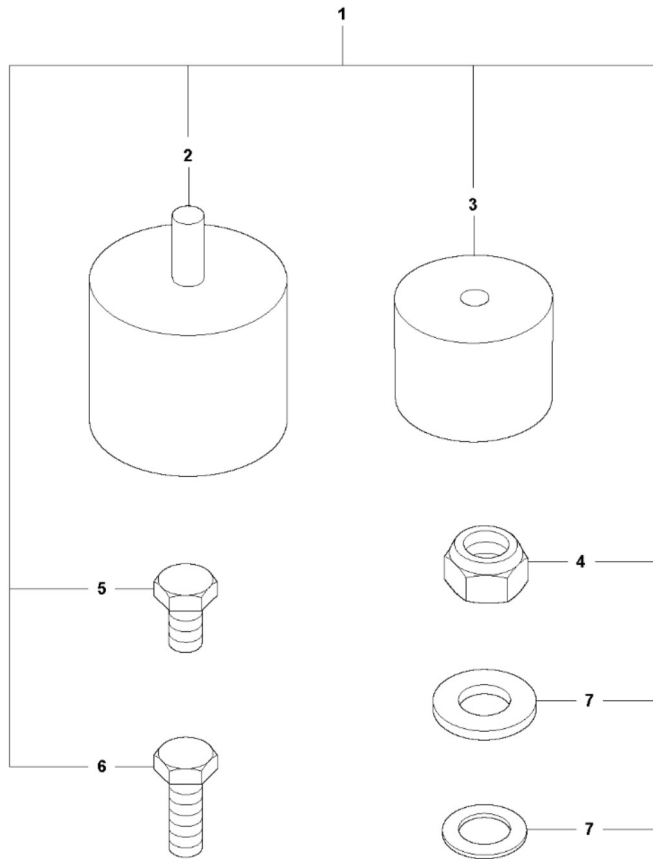


THROTTLE CONTROL

LX 90, 967897101, 2019-06

Ref	Part No	Description	Remark	QTY KIT
1	594 34 10-01	THROTTLE CONTROL		1
4	595 06 01-01	NUT		1
5	598 07 00-01	SCREW		1
6	594 32 77-01	SPRING		1

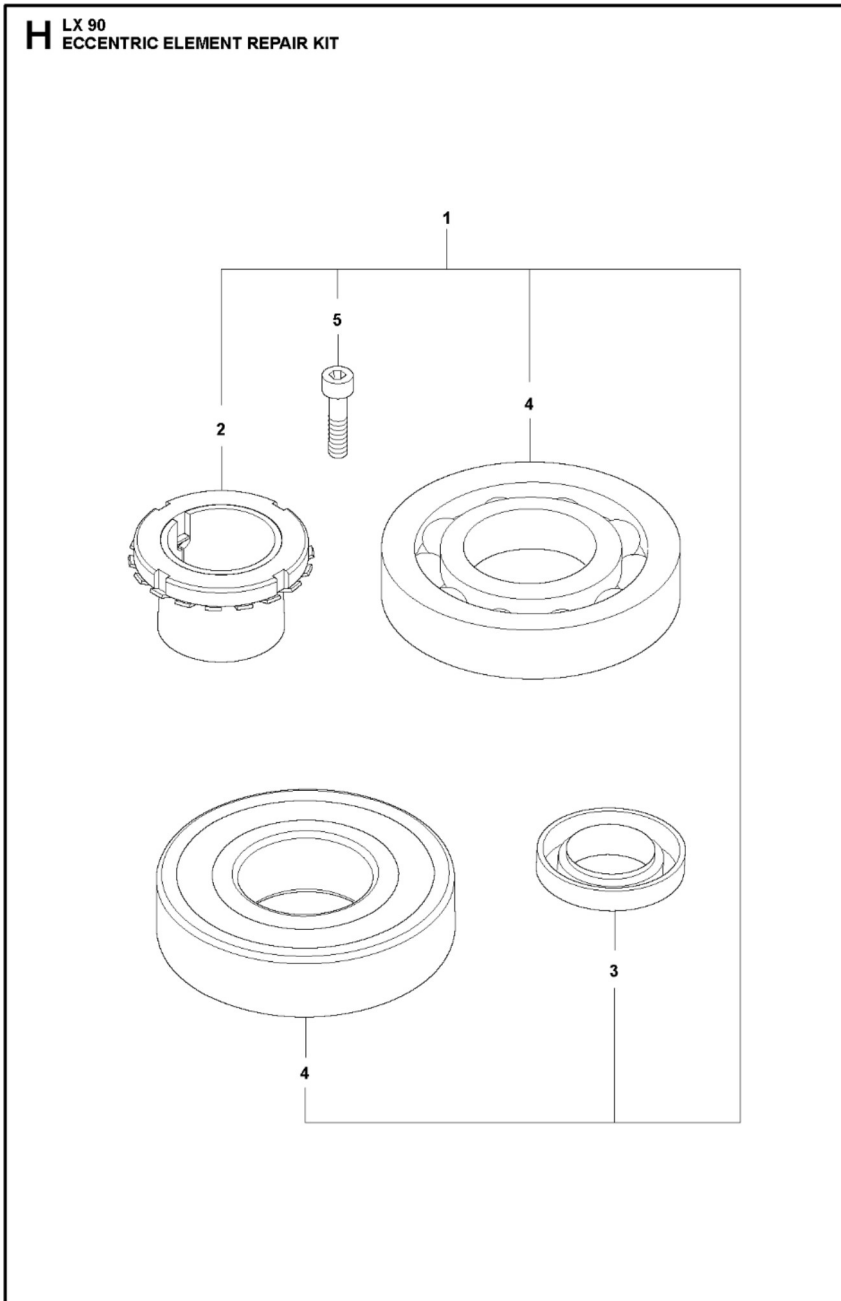
**G** LX 90  
SHOCK ABSORBER REPAIR KIT



## SHOCK ABSORBER REPAIR KIT

LX 90, 967897101, 2019-06

Ref	Part No	Description	Remark	QTY KIT	
1	594 19 71-01	REPAIR KIT		1	
2	594 15 67-01	ABSORBER		1	1
3	594 42 90-01	ABSORBER		3	1
4	594 12 30-01	LOCK NUT	Nut M08x1,25, -8, A2K (lock nut)	1	1
5	596 88 97-07	SCREW	M8 x 12 mm 8.8 A2K	3	1
6	594 11 79-01	SCREW	M8 x 20	1	1
7	595 11 29-01	WASHER	8,4 x 26 x 4 mm, 0.33 x 1,02 x 0.16 in. 300 HV	3	1
7	595 03 66-01	WASHER	8,4 x 16 x 1.5 mm, 0.33 x 0.63 x 0.06 in. 300 HV	4	1



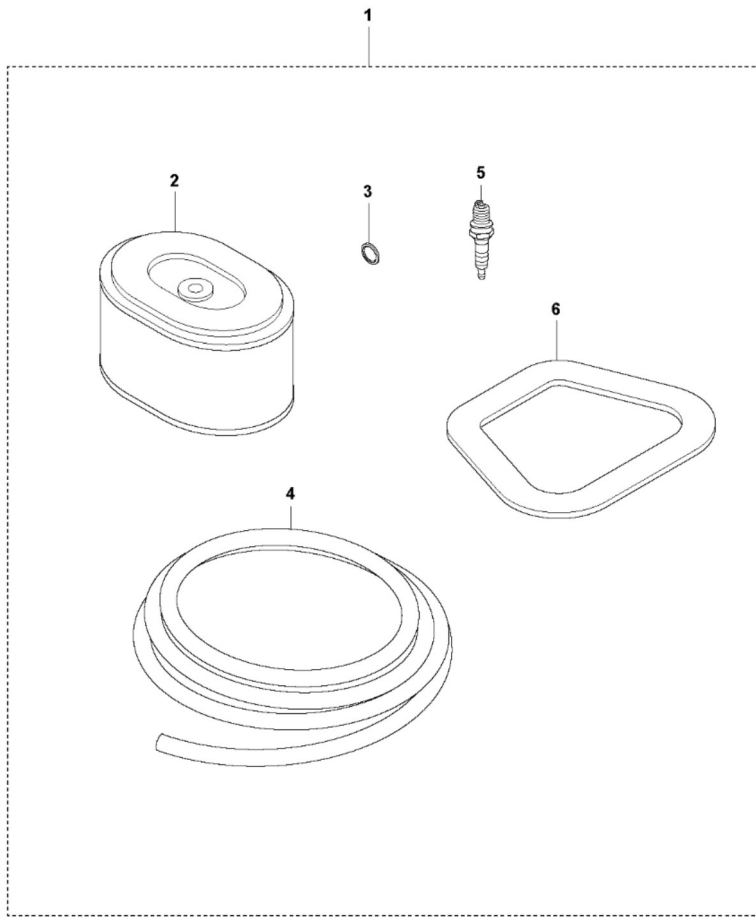


## ECCENTRIC ELEMENT REPAIR KIT

LX 90, 967897101, 2019-06

Ref	Part No	Description	Remark	QTY KIT	
1	594 19 72-01	REPAIR KIT		1	
2	594 15 62-01	CLAMPING SLEEVE		1	1
3	595 04 46-01	SEALING RING		1	1
4	594 15 61-01	BALL BEARING		2	1
5	595 34 80-01	SCREW	M6x20 mm 8.8 A2K	8	1

**J** LX 90  
SERVICE KIT - HONDA GX 160 UT2 SXS4 OH

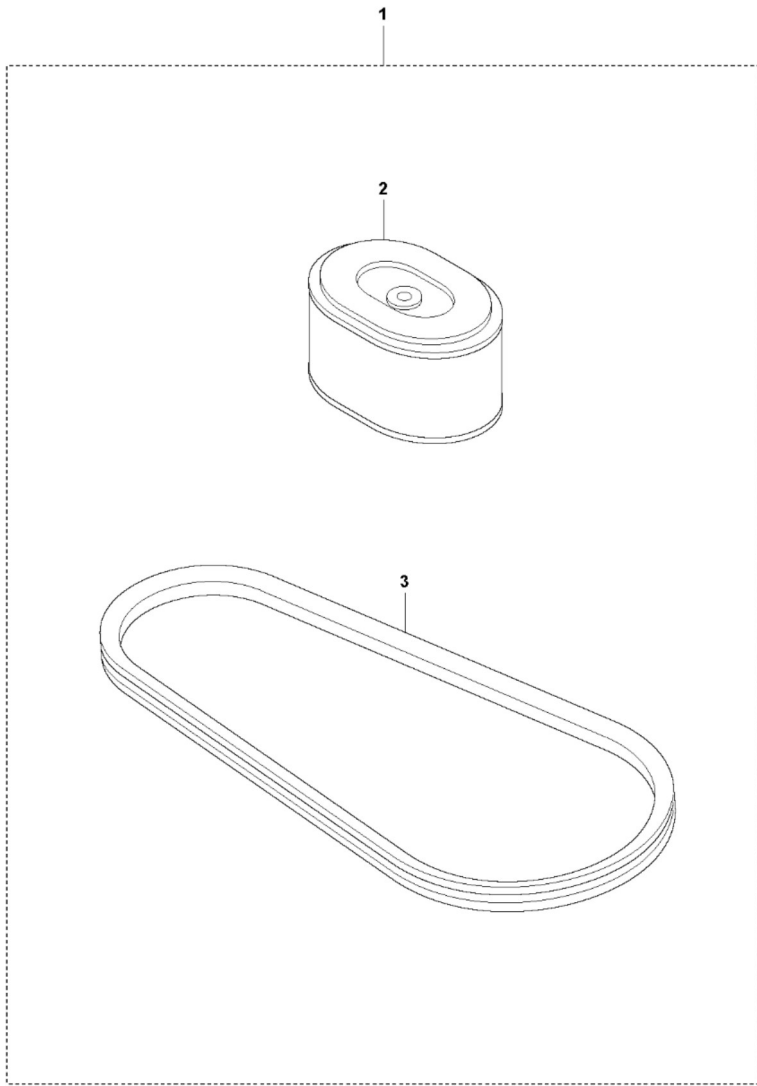


## SERVICE KIT

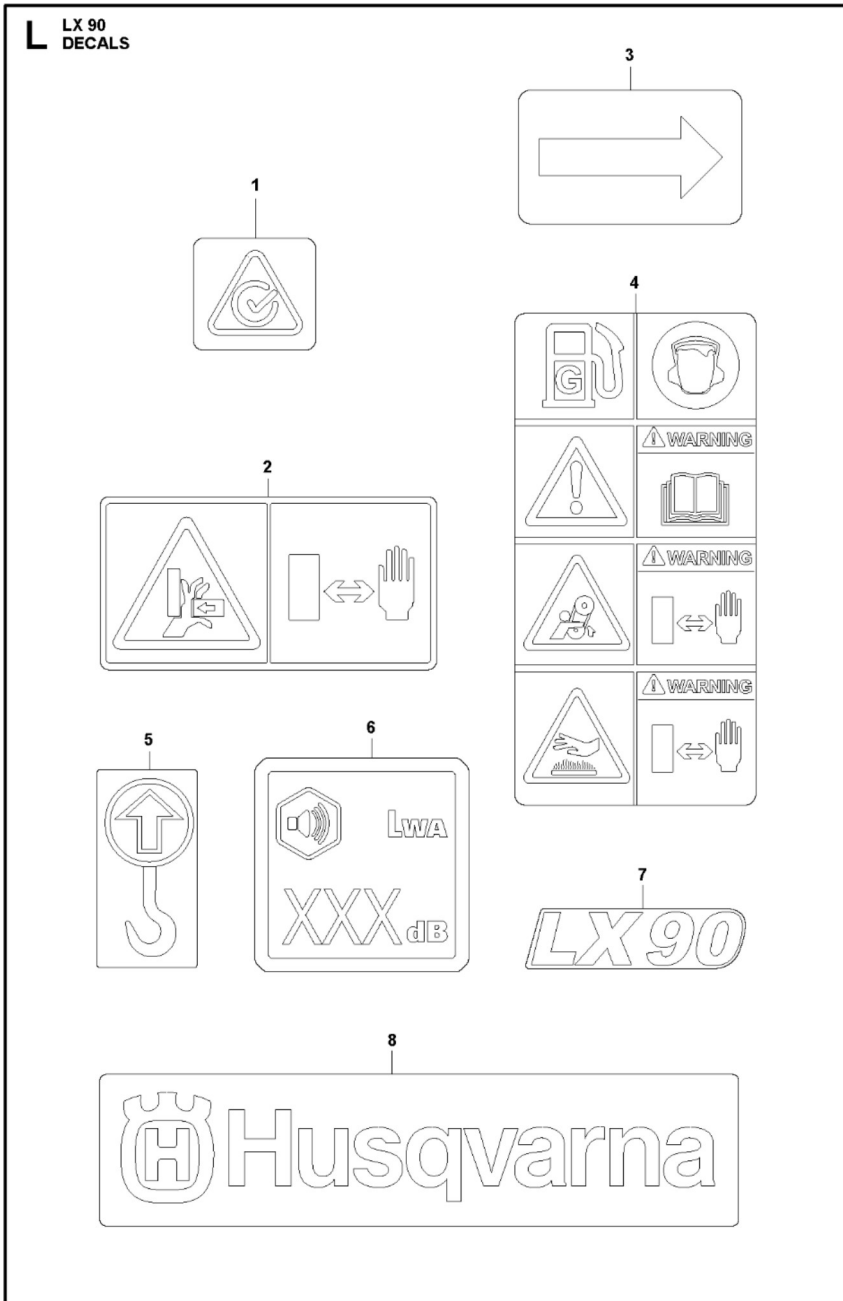
LX 90, 967897101, 2019-06

Ref	Part No	Description	Remark	QTY	KIT
1	594 20 02-01	SERVICE KIT		1	
2	594 30 21-01	AIR FILTER		1	1
3	595 04 89-01	GASKET		1	1
4	595 04 91-01	ROPE		1	1
5	594 54 43-01	SPARK PLUG		1	1
6	595 04 88-01	GASKET		1	1

**K** LX 90  
12 MONTHS / 200 HOURS SERVICE KIT



Ref	Part No	Description	Remark	QTY	KIT
1	594 21 61-01	SERVICE KIT		1	
2	594 30 21-01	AIR FILTER		1	1
3	594 29 90-01	V-BELT		1	1



## DECALS

LX 90, 967897101, 2019-06

Ref	Part No	Description	Remark	QTY KIT
1	596 28 02-01	DECAL	DECAL Compliance RCM	1
2	594 53 64-01	DECAL		3
3	594 34 09-01	DECAL		1
4	595 46 44-01	DECAL	Petrol, ear protection, read instruction manual, crush zone and hot surface.	1
5	595 05 12-01	DECAL		1
6	594 51 55-01	DECAL		1
8	577 46 90-01	DECAL		1
7	595 09 67-01	DECAL		1