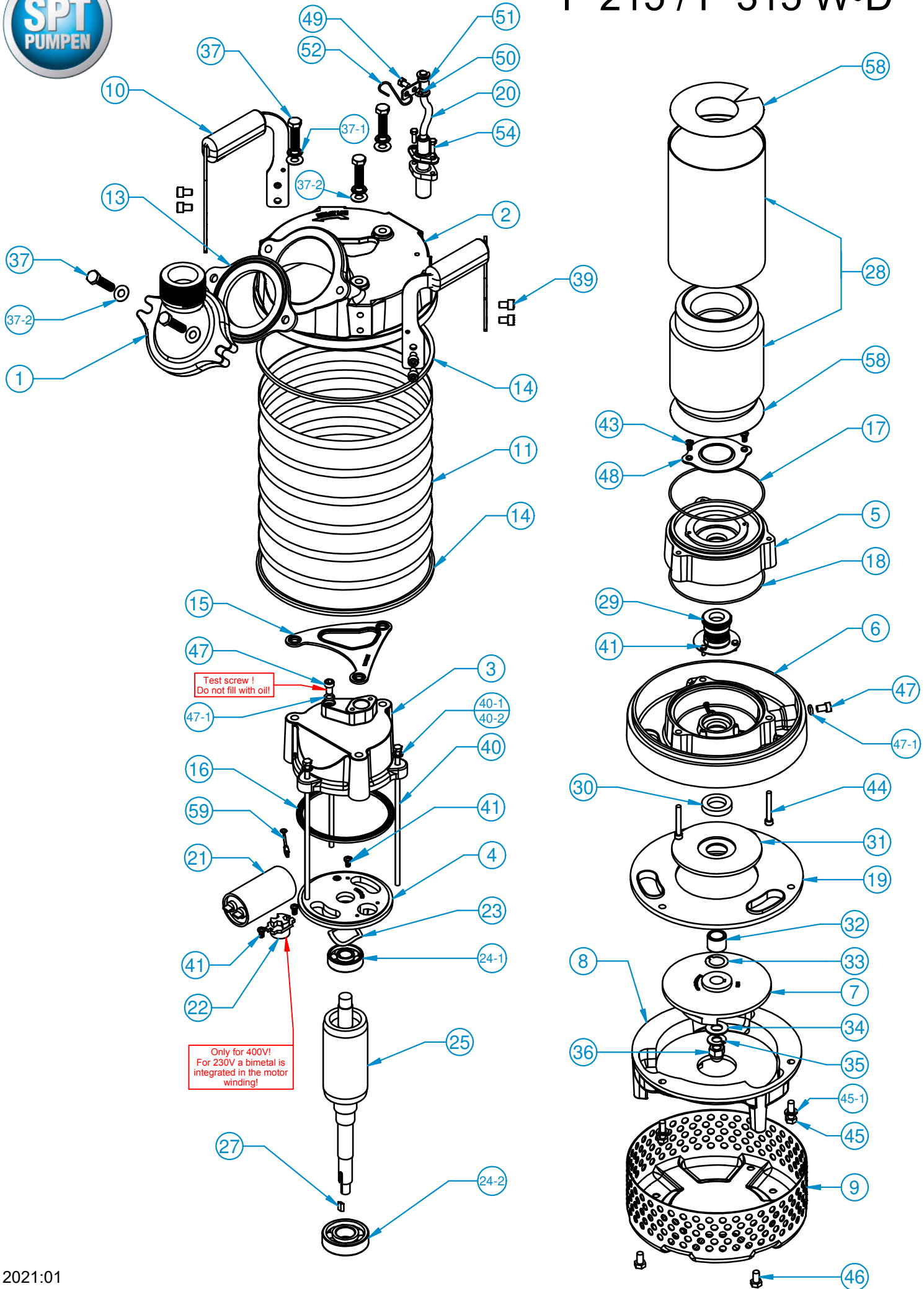




P 215 / P 315 W•D



Spare part list

| POS # | Art | Description | Information | Pc. |
|-------|-------------|-----------------------------------------------|---------------------------------|-------|
| 1 | 01215220000 | Outlet 2" outer thread | BM-002303 | 1 |
| | 01315223755 | Outlet 3" outer thread | BM-003303 | 1 |
| 2 | 02152200000 | Pump cover | BM-200100 | 1 |
| 3 | 03152200000 | Motor cover | BM-200101 | 1 |
| 4 | 04152200000 | Upper bearing housing | BM-200102 | 1 |
| 5 | 05152200000 | Lower bearing housing | BM-200208 | 1 |
| 6 | 06152200000 | Oil housing | BM-200202 | 1 |
| 7 | 07215000000 | Impeller P 215 | BM-200206-5-50 | 1 |
| | 07315000000 | ImpellerP 315 | BM-200206-5-80 | 1 |
| 8 | 08215222000 | Suction plate P 215, P 222 | BM-200301-50 | 1 |
| | 08315322000 | Suction plate P 315, P 322 | BM-200301-80 | 1 |
| 9 | 09152237000 | Strainer | BM-235302 | 1 |
| 10 | 10152237550 | Handle | BM-200104 | 2 |
| 11 | 11150000000 | Mantle 1,5 kW | D=231, H=244 | 1 |
| 13 | 13152237550 | Gasket outlet | BM-200304 | 1 |
| 14 | 14152237000 | Gasket mantle | 1,5 - 3,7 kW | 2 |
| 15 | 15152200000 | Gasket pump cover | BM-200305 | 1 |
| 16 | 16152200000 | Gasket motor cover | D=130, H=6 / 1,5 - 3,7 kW | 1 |
| 17 | 17152200000 | O-Ring 120 x 3,1 | | 1 |
| 18 | 17152210000 | O-Ring 108 x 2,6 | | 1 |
| 19 | 19152200000 | Volute liner | BM-200307 | 1 |
| 20 | 01150000000 | Power cable 230V | H07RN-F 3G1,5mm ² | 1 |
| | 0115000400 | Power cable 400V | H07RN-F 4G1,5mm ² | 1 |
| 21 | 14150000000 | Capacitor | 30µF, RU300540 | 1 |
| 22 | 13150000000 | Klixon 400 V | MWH-43-WN | 1 |
| 23 | 23152237550 | Bearing washer | 46 x 34 x 0,3 | 1 |
| 24-1 | 24152200000 | Upper bearing | 6303 | 1 |
| 24-2 | 024015022 | Lower bearing | 6305 | 1 |
| 25 | 25150000000 | Rotor/Shaft P 215W, P 315W | Rotor D=59, H111, Blue | 1 |
| | 25150000400 | Rotor/Shaft P 215D, P 315D | Rotor D=59, H=97,5, Blue | 1 |
| 27 | 0410050515 | Key | 5 x 5 x 15 | 1 |
| 28 | 28150000000 | Stator with housing | 1,5 kW - 230 V | 1 |
| | 28150000400 | Stator with housing | 1,5 kW - 400 V | 1 |
| 29 | 29152237000 | Mechanical seal | ED560N M20 | 1 |
| 30 | 30152200000 | Oil seal | AS 25 x 40 x 8 | 1 |
| 31 | 1833707500 | Wear plate | B050207 | 1 |
| 32 | 32152200000 | Shaft sleeve | 18,5 x 24,6 x 20 | 1 |
| 33 | 33152237000 | Adjusting washer | 18,5 x 30 x 0,50 | Set |
| 34 | 31152237000 | Impeller washer | 12,5 x 30 x 2 | 1 |
| 35 | 44712 | Spring washer (M12) | | 1 |
| 36 | 34812 | Head nut M12 | | 1 |
| 37 | 009691035 | Hex. nut M10 x 35 | | 2 |
| 37-1 | 44710 | Spring washer (M10) | | 3 |
| 37-2 | 4643816010 | Washer (M10) | | 5 |
| 39 | 94612 | Socket screw M8 x 12 | | 8 |
| 40 | 40150000000 | Bolt M6 | | 3 |
| 40-1 | 4476 | Spring washer (M6) | | 3 |
| 40-2 | 464381606 | Washer (M6) | | 3 |
| 41 | 152231141 | Recessed head screw M4 x 8 | | 4 / 6 |
| 43 | 94510 | Socket screw M5 x 10 | | 2 |
| 44 | 94645 | Socket screw M6 x 45 | | 3 |
| 45 | 96825 | Hex. screw M8 x 25 | | 3 |
| 45-1 | 4478 | Spring washer M8 | | 3 |
| 46 | 96812 | Hex. screw M8 x 12 | | 3 |
| 47 | 94812 | Recessed head screw M8 x 12 | | 2 |
| 47-1 | 025015022 | O-Ring 7 x 3 | | 2 |
| 48 | 48152200000 | Fixing plate for bearing | | 1 |
| 49 | 96610 | Hex. screw M6 x 10 | | 1 |
| 50 | 32296 | Hex. nut M6 | | 1 |
| 51 | 51215322000 | Cable strain relief, double hole 1,5 - 2,2 kW | | 1 |
| 52 | 52152237550 | Cable strain relief hook | | 1 |
| 54 | 96516 | Hex. screw M5 x 16 | | 2 |
| 58 | 2937075000 | Insulation sheet | | 2 |
| 59 | X370750000 | Grounding wire | 2,5mm ² green/yellow | 1 |